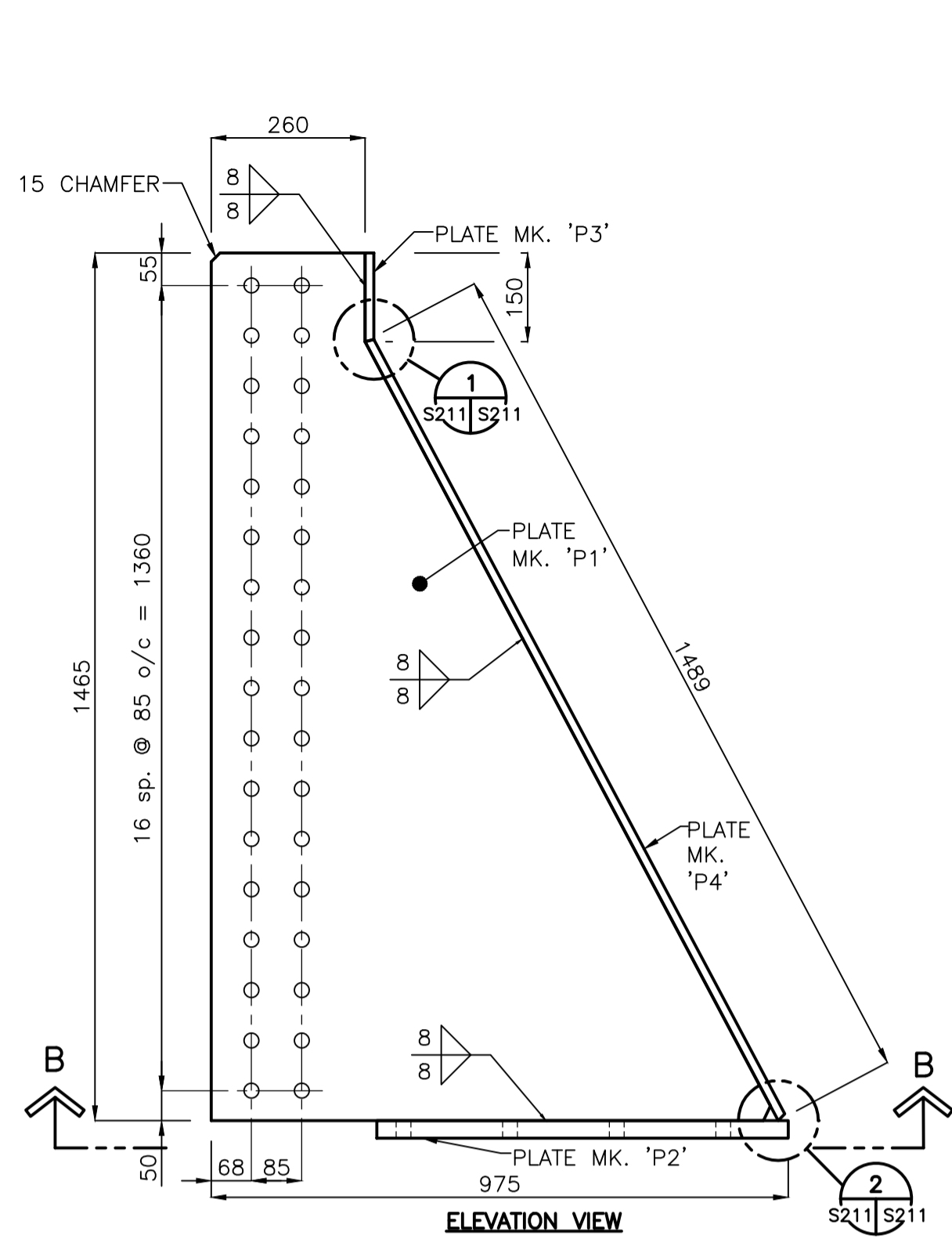
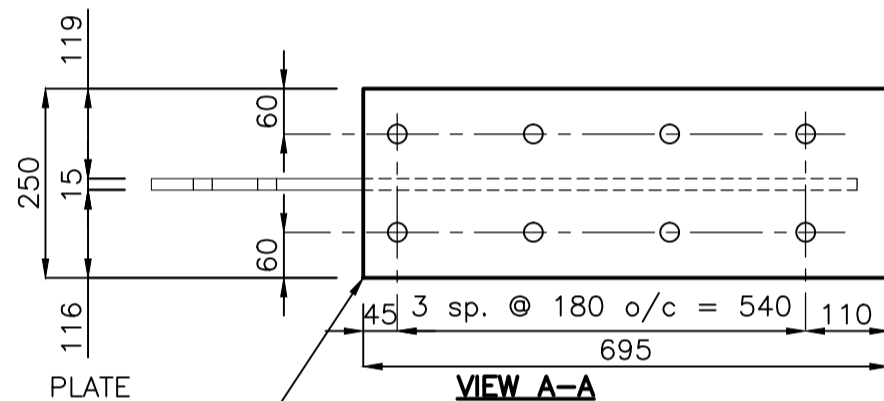


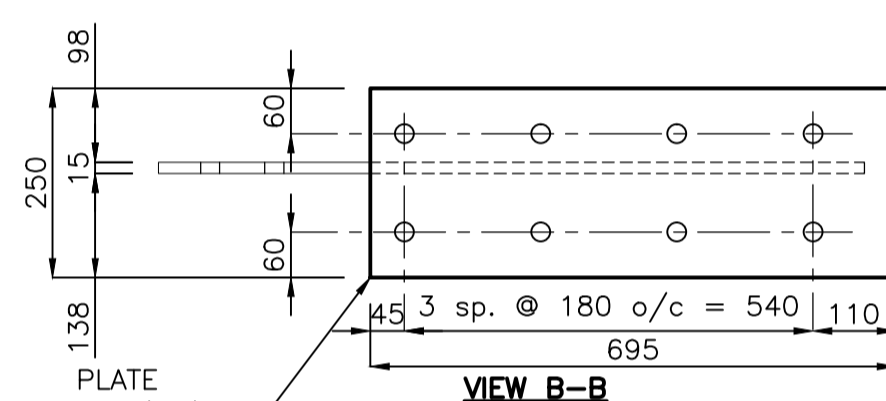
ELEVATION VIEW  
'KB2' SHOWN  
'KB1' OPPOSITE



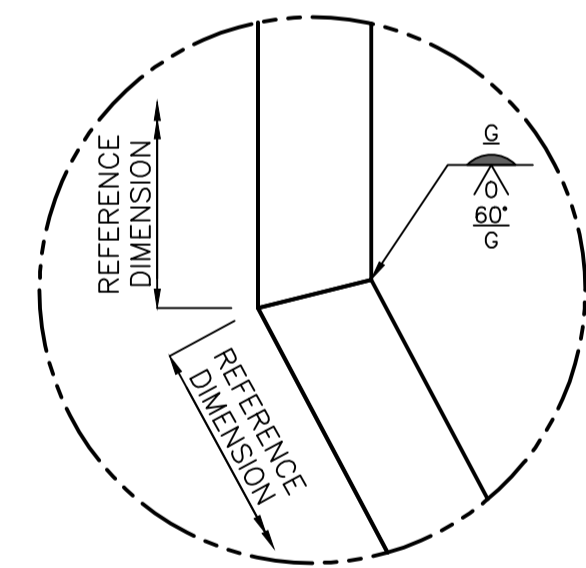
ELEVATION VIEW  
'KB3' SHOWN  
'KB4' OPPOSITE



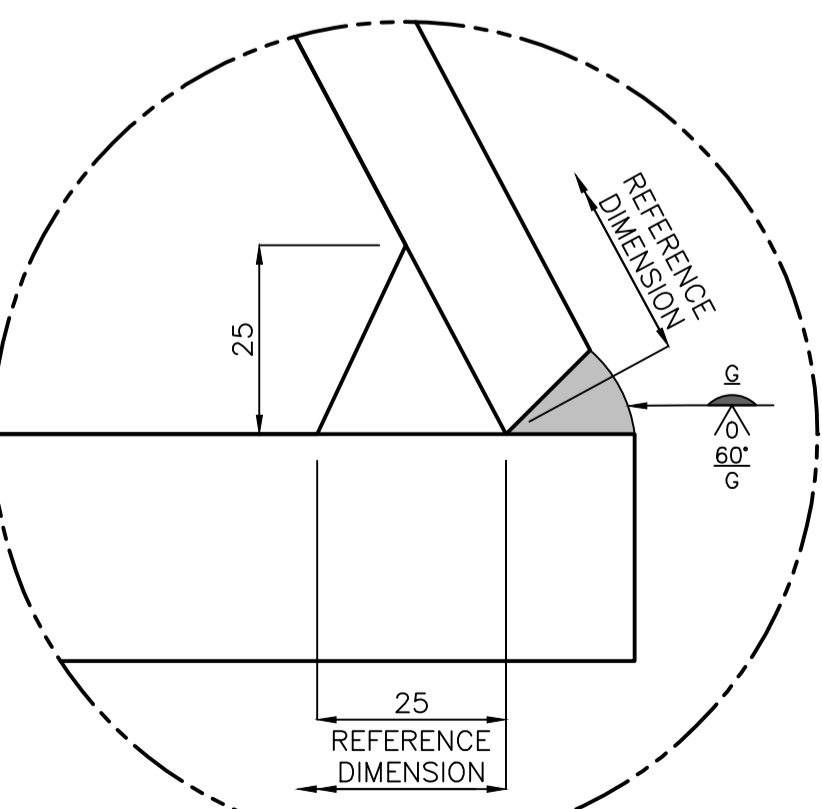
VIEW A-A  
'KB2' SHOWN  
'KB1' OPPOSITE  
KNEE BRACE 'KB1', 'KB2'



VIEW B-B  
'KB3' SHOWN  
'KB4' OPPOSITE  
KNEE BRACE 'KB3' & 'KB4'



1 DETAIL  
S211/S211 1:1



2 DETAIL  
S211/S211 1:1

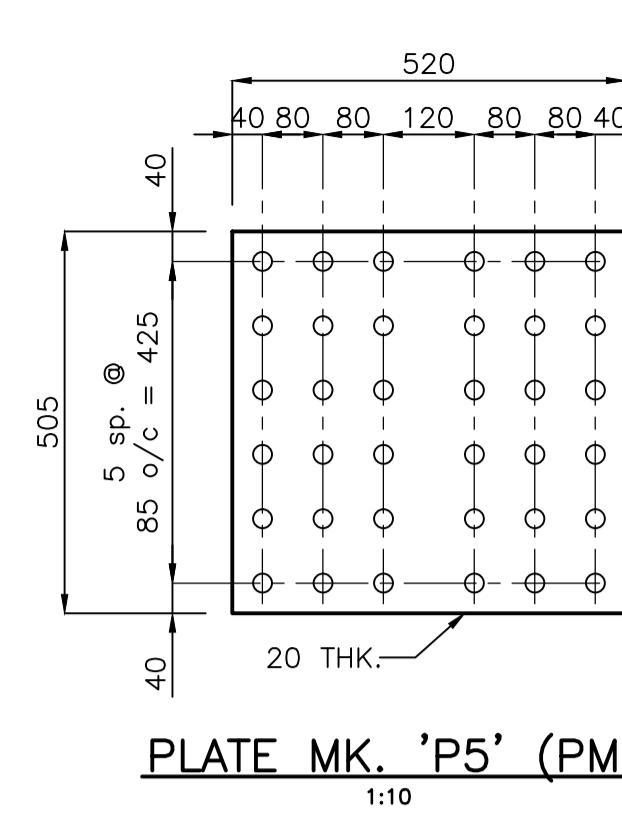
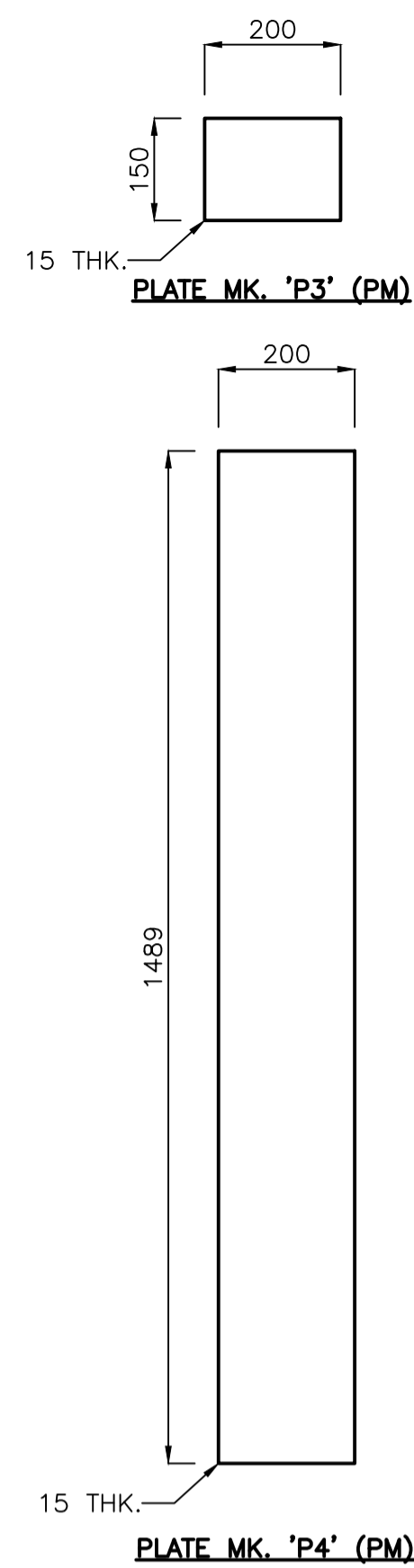


PLATE MK. 'P5' (PM)  
1:10

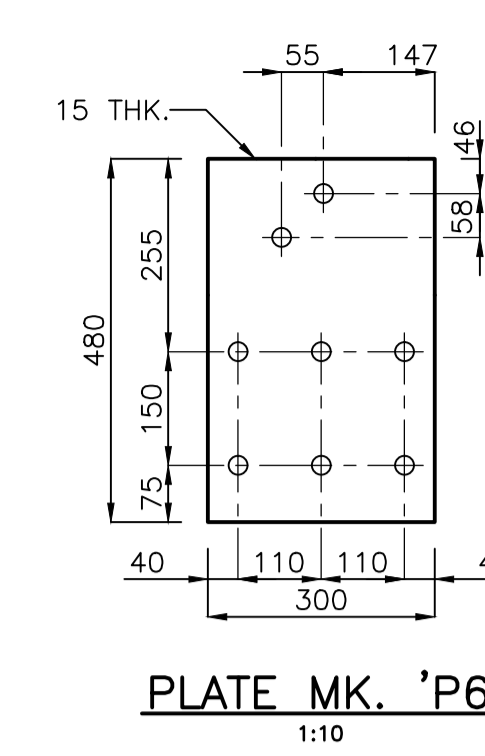


PLATE MK. 'P6'  
1:10

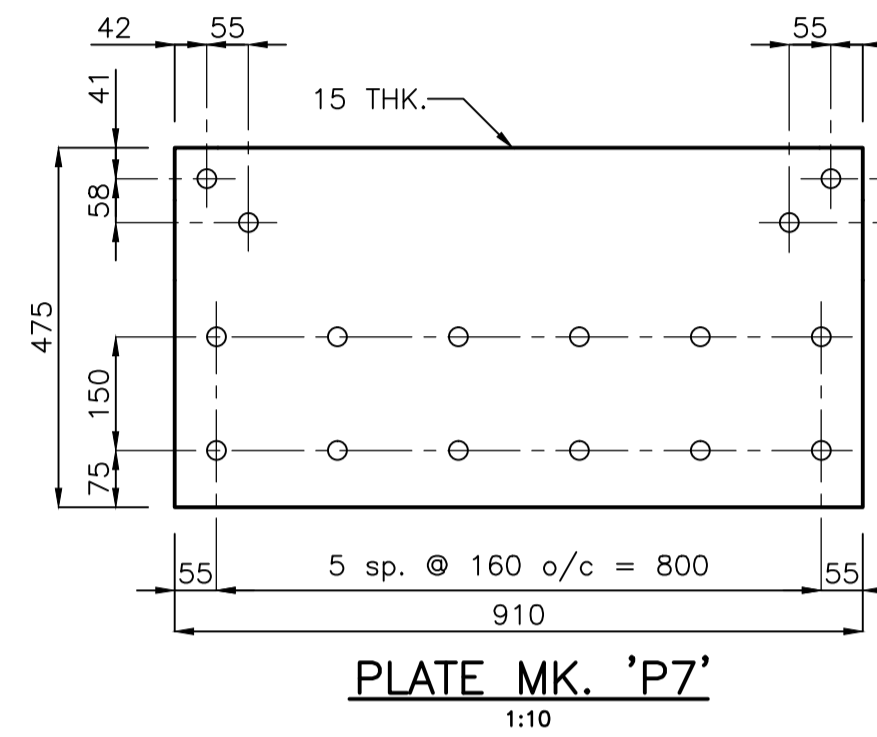


PLATE MK. 'P7'  
1:10

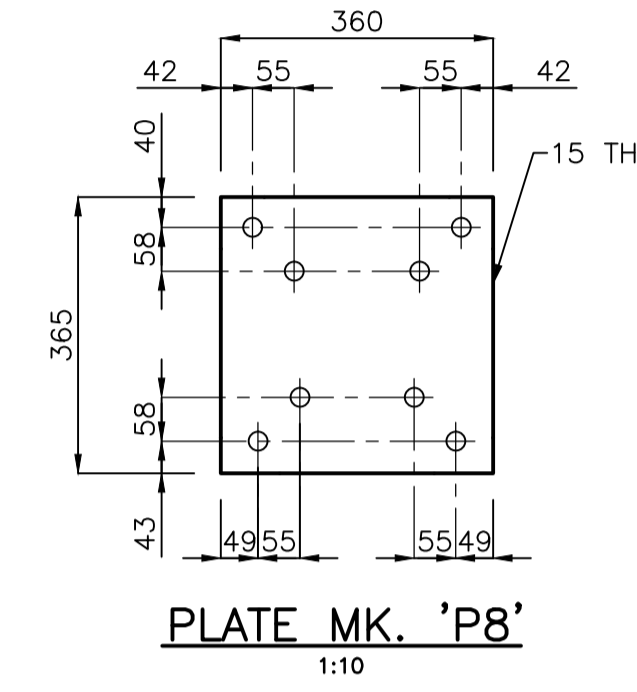
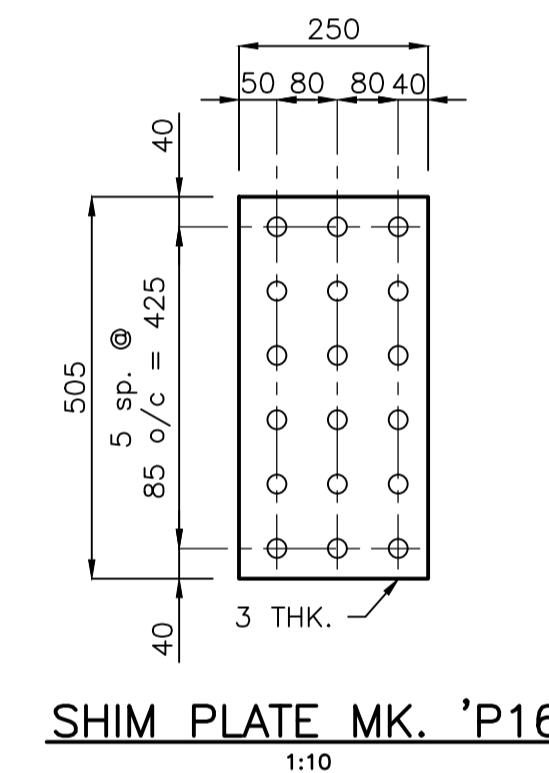


PLATE MK. 'P8'  
1:10



SHIM PLATE MK. 'P16'  
1:10

**APEGM**  
Certificate of Authorization  
Stantec Consulting Ltd.  
No. 1301

**METRIC**  
WHOLE NUMBERS INDICATE MILLIMETRES  
DECIMALIZED NUMBERS INDICATE METRES  
UNLESS INDICATED OTHERWISE

LOCATION APPROVED  
UNDERGROUND STRUCTURES

SUPV. U/G STRUCTURES COMMITTEE DATE

NOTE:  
LOCATION OF UNDERGROUND STRUCTURES AS SHOWN ARE BASED ON THE BEST INFORMATION AVAILABLE BUT NO GUARANTEE IS GIVEN THAT ALL EXISTING UTILITIES ARE SHOWN OR THAT THE GIVEN LOCATIONS ARE EXACT. CONFIRMATION OF EXISTENCE AND EXACT LOCATION OF ALL SERVICES MUST BE OBTAINED FROM THE INDIVIDUAL UTILITIES BEFORE PROCEEDING WITH CONSTRUCTION.

B.M. ELEV.	NO.	REVISIONS	DATE	BY
	0	ISSUED FOR TENDER	14.04.22	J.M.B.

**Stantec**  
100 - 1355 Taylor Avenue, Winnipeg MB Canada  
www.stantec.com

DESIGNED BY: S.Y.S. CHECKED BY: M.J.B.  
DRAWN BY: R.A.R./J.M.B. APPROVED BY: M.J.B.

HOR. SCALE: AS NOTED VERTICAL: RELEASED FOR CONSTRUCTION: DATE

2014.03.24

ENGINEER'S SEAL

CONSULTANT DRAWING NO.  
**S211**

**THE CITY OF WINNIPEG**  
WATER AND WASTE DEPARTMENT  
ENGINEERING DIVISION

**GREATER WINNIPEG WATER DISTRICT**  
RAILWAY BRIDGE REPLACEMENT AT MILE 77.6  
STEEL PLATE DETAILS

SHEET 13 OF 15  
CAD FILE DRAWING NUMBER 32050-s-211-800.dwg  
CITY DRAWING NUMBER **D-13449**