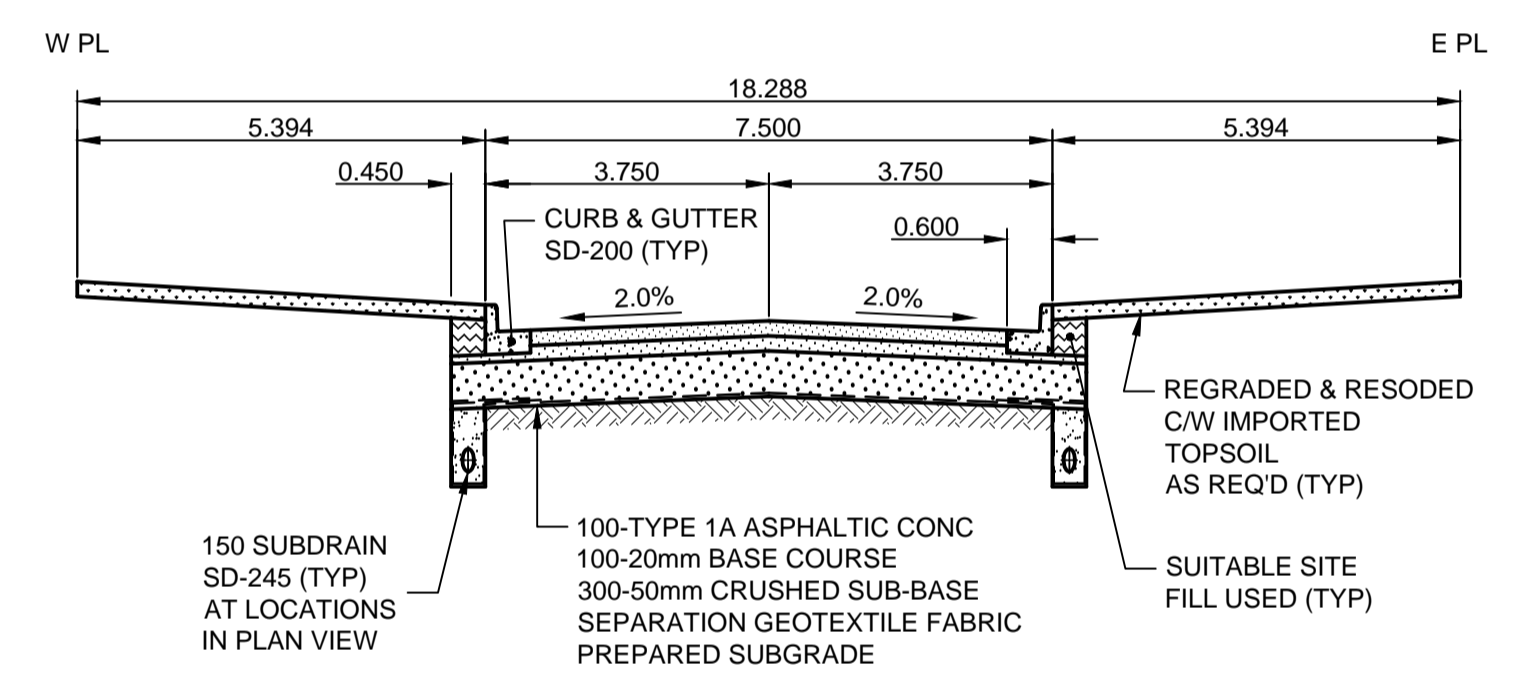
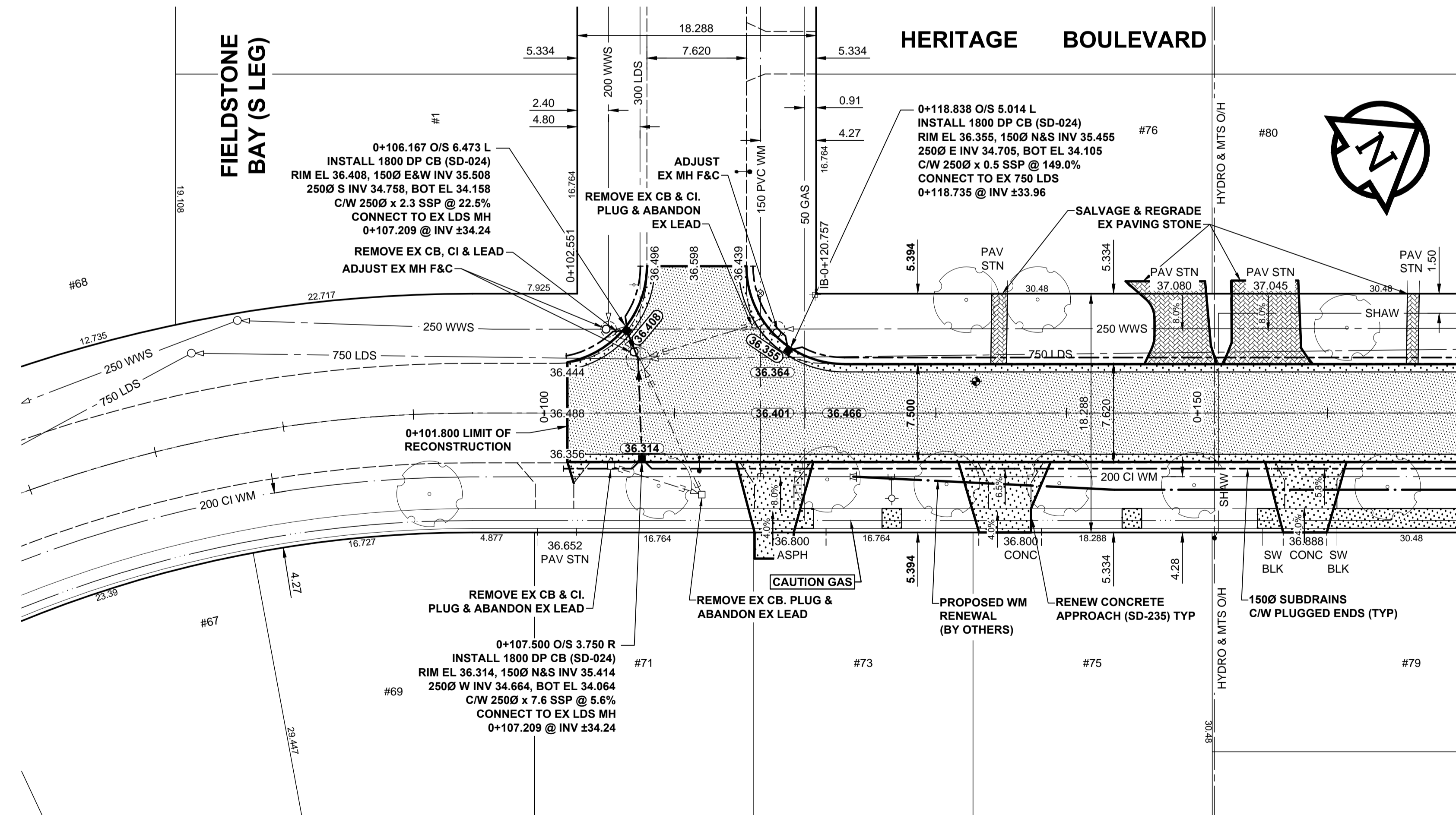
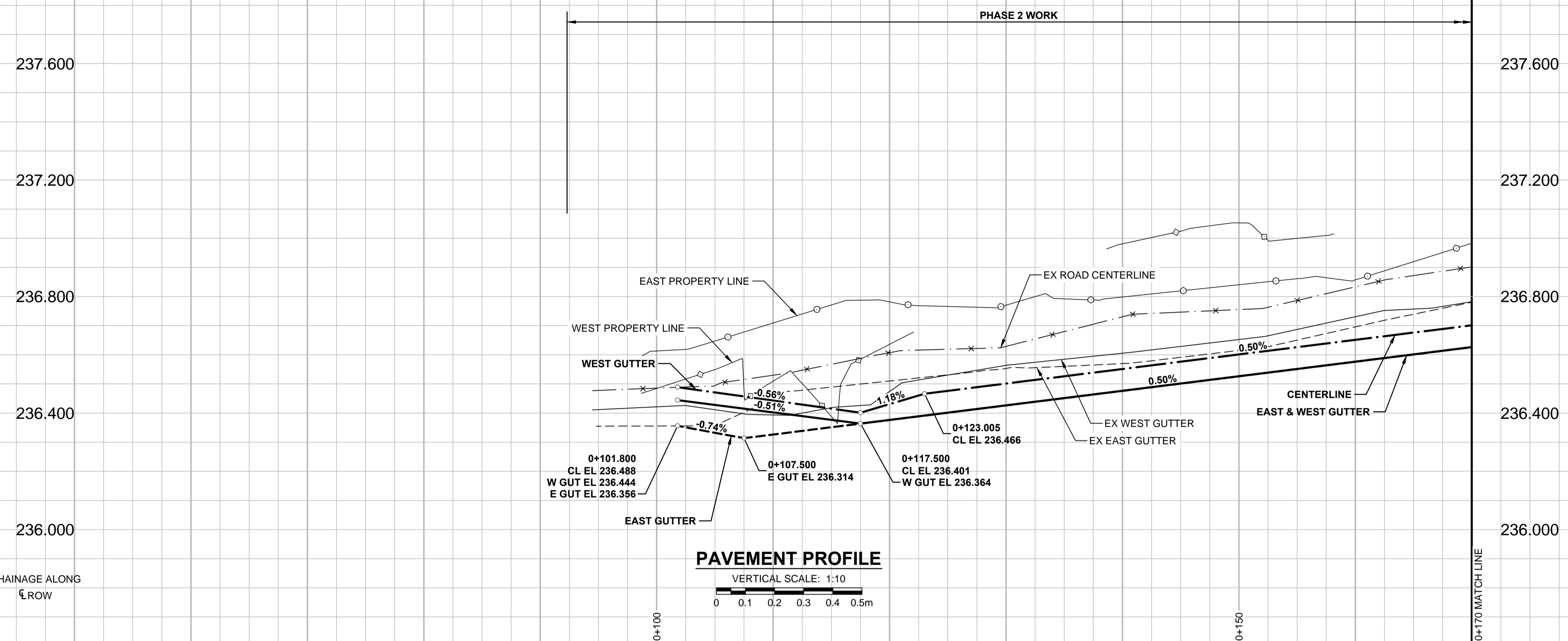


A1 SIZE 894mm x 841mm
PLOT: 5/14/2014 5:35:11 PM
FILE NAME: W130028-T-001_RX.dwg Saved By: dlane



- NOTES**
- ADJUST MH AND CB RIMS TO NEW GRADES.
 - CONTRACTOR TO COMPLETE RECONSTRUCTION OF STREET LIGHTING (INCLUDING BASES, WIRING & LAMP STANDARDS), COORDINATION WITH MANITOBA HYDRO WILL BE REQUIRED.
 - HYDRO POLES AND ANCHORS THAT REQUIRE TEMPORARY SUPPORT, REMOVAL OR REPLACEMENT, TO BE DONE SO AT THE EXPENSE OF THE CONTRACTOR AS NECESSARY.
 - CONTRACTOR TO REGRADE/RENEW EXISTING PRIVATE SIDEWALKS TO LIMITS AS SHOWN. SIDEWALKS TO BE RENewed WITH CONCRETE UNLESS NOTED OTHERWISE.
 - CONTRACTOR TO TAKE PRECAUTIONARY STEPS TO PROTECT EXISTING TREES WITHIN THE LIMITS OF CONSTRUCTION FROM DAMAGE FROM CONSTRUCTION ACTIVITIES AS OUTLINED IN THE SPECIFICATIONS.
 - MODIFIED BARRIER CURB TO BE USED AT ALL INTERSECTION RADII, BACK LANE RADII AND BULLNOSES.
 - CONTRACTOR TO CONFIRM THE LOCATION OF ALL UTILITIES/SERVICES IN THE FIELD PRIOR TO CONSTRUCTION.
 - ADD 200.00mm TO ABBREVIATED ELEVATIONS TO OBTAIN GEODETIC ELEVATIONS.
 - CB OFFSETS ARE DIMENSIONED TO BOC.
 - SCALE FACTOR OF 1.00172264 APPLIED TO LBIS.

CENTERLINE-GEOMETRIC CONTROL POINT COORDINATES

POINT/STATION	NORTHING	EASTING
POT 0+094.537	9863.667	9903.967
POT 0+101.800	9869.825	9907.817

METRIC
WHOLE NUMBERS INDICATE MILLIMETRES
DECIMALIZED NUMBERS INDICATE METRES

EXISTING	LEGEND - PLAN	NEW	EXISTING	LEGEND - PLAN	NEW	EXISTING	LEGEND - PLAN	NEW	
	GAS		MANHOLE		CONCRETE PAVEMENT		LOCATION APPROVED		GBM 40-014 ELEV 237.305m
	HYDRO		CATCH BASIN / CATCH PIT		CONC SIDEWALK / MEDIAN		UNDERGROUND STRUCTURES		
	CATV / FIBRE OPTIC		TREE		ASPHALT PAVEMENT		DATE		
	TRAFFIC SIGNALS / PIT		TEST HOLE		PAVING STONE		NOTE:		
	LAND DRAINAGE SEWER		PROPERTY LINE		GRAVEL		LOCATION OF UNDERGROUND STRUCTURES AS SHOWN ARE BASED ON THE BEST INFORMATION AVAILABLE. BUT NO GUARANTEE IS GIVEN THAT ALL EXISTING UTILITIES ARE SHOWN OR THAT THE GIVEN LOCATIONS ARE EXACT. CONFIRMATION OF EXISTENCE AND EXACT LOCATION OF ALL SERVICES MUST BE OBTAINED FROM THE INDIVIDUAL UTILITIES BEFORE PROCEEDING WITH CONSTRUCTION.		
	SANITARY/COMBINED SEWER		SURVEY BAR		RAMP CURB		No. REVISIONS		
	SEWER SERV/DRAINAGE CONN		FENCE		PLANING / REMOVAL		YYMMDD		
	WATERMAIN		BOC / EDGE OF PAVEMENT				BY		
	SUBDRAIN		ELEVATION				14/05/14		
	DITCH		TRAFFIC SIGN				JGK		

0 ISSUED FOR CONSTRUCTION 14/05/14 JGK

No. REVISIONS YYMMDD BY

MORRISON HERSHFIELD

DESIGNED BY	JGK	CHECKED BY	RPB
DRAWN BY	DID, DML	APPROVED BY	BWB
HOR. SCALE	1:250	RELEASED FOR CONSTRUCTION	05/14/14
VERT. SCALE	1:10	DATE	13/10/28

PROFESSIONAL'S SEAL

PROVINCE OF MANITOBA
Member
J.G. KENNEDY
22326
13 MAY 14
REGISTERED PROFESSIONAL ENGINEER

CONSULTANT DRAWING No.
W130028-T-001_RX.dwg

THE CITY OF WINNIPEG
PUBLIC WORKS DEPARTMENT
ENGINEERING DIVISION

2014 LOCAL STREETS PACKAGE
HERITAGE BOULEVARD
FIELDSTONE BAY S LEG TO VALLEY VIEW DRIVE
ASPHALT RECONSTRUCTION
HORIZONTAL AND VERTICAL ALIGNMENT
STA 0+060 TO STA 0+170

CITY DRAWING NUMBER	N/A
SHEET	1 OF 34
DRAWING No.	1
REV	0

BID OPPORTUNITY No. 209-2014