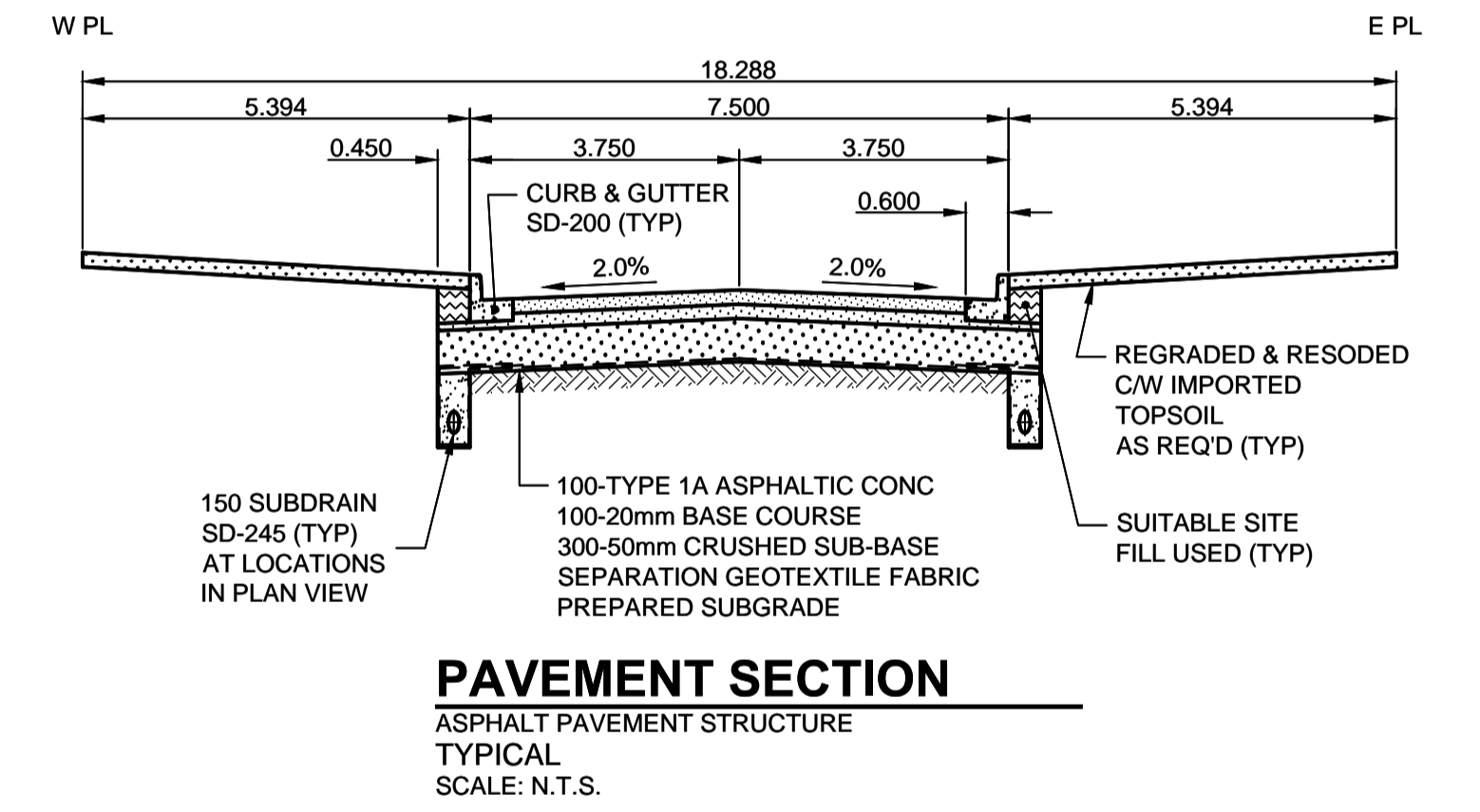
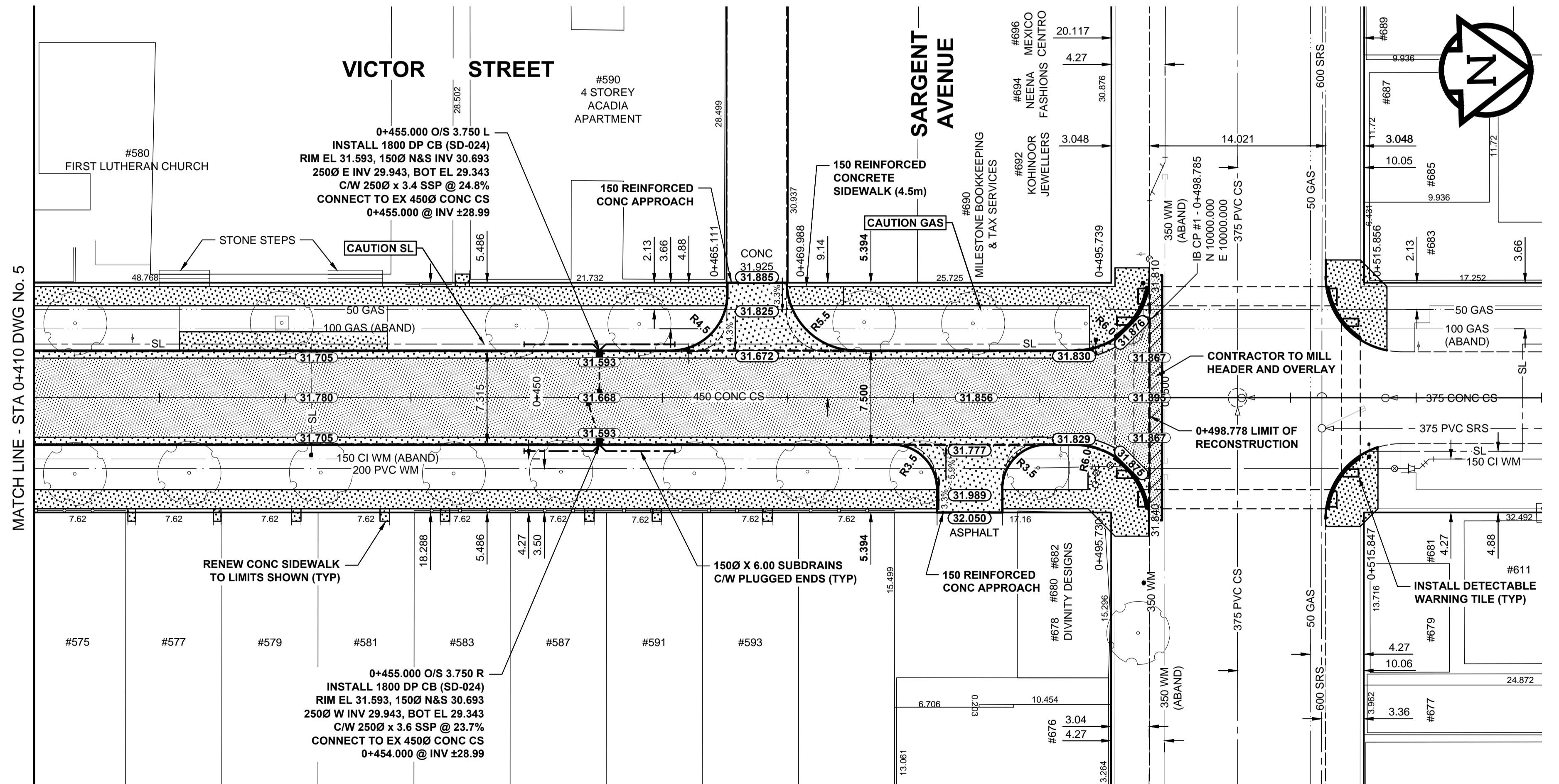
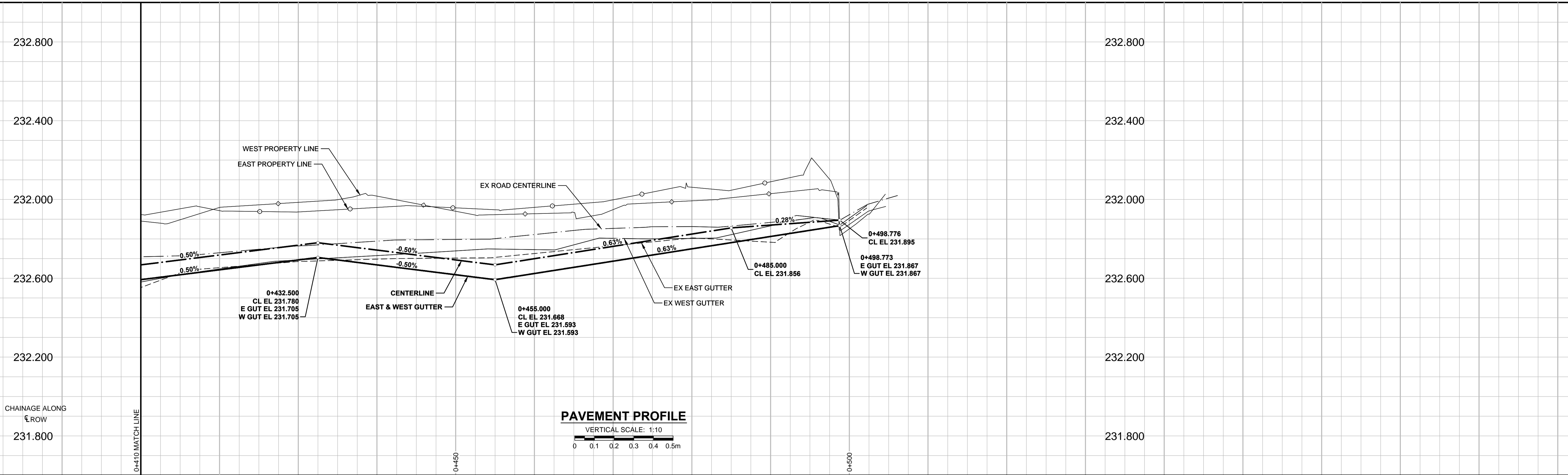


A1 SIZE 894mm x 841mm

PLOT: 5/14/2014 5:38:02 PM

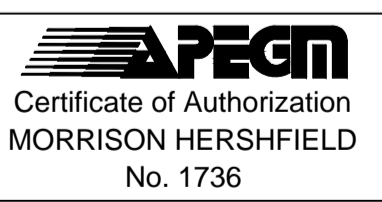
FILE NAME: W130028-T-006_RX.dwg Saved By: dlane



- NOTES**
- ADJUST MH AND CB RIMS TO NEW GRADES.
 - LAMP STANDARDS, HYDRO POLES, AND ANCHORS THAT REQUIRE TEMPORARY SUPPORT, REMOVAL, OR REPLACEMENT, TO BE DONE SO AT THE EXPENSE OF THE CONTRACTOR AS NECESSARY.
 - CONTRACTOR TO REGRADE/RENEW EXISTING PRIVATE SIDEWALKS TO LIMITS AS SHOWN. SIDEWALKS TO BE RENEWED WITH CONCRETE UNLESS NOTED OTHERWISE.
 - CONTRACTOR TO TAKE PRECAUTIONARY STEPS TO PROTECT EXISTING TREES WITHIN THE LIMITS OF CONSTRUCTION FROM DAMAGE FROM CONSTRUCTION ACTIVITIES AS OUTLINED IN THE SPECIFICATIONS.
 - MODIFIED BARRIER CURB TO BE USED AT ALL INTERSECTION RADII, BACK LANE RADII AND BULLNOSES.
 - CONTRACTOR TO CONFIRM THE LOCATION OF ALL UTILITIES/SERVICES IN THE FIELD PRIOR TO CONSTRUCTION.
 - ADD 200.000m TO ABBREVIATED ELEVATIONS TO OBTAIN GEODETIC ELEVATIONS.
 - CB OFFSETS ARE DIMENSIONED TO BOC.
 - SCALE FACTOR OF 1.00021285 APPLIED TO LBIS.

CENTERLINE-GEOMETRIC CONTROL POINT COORDINATES

POINT/STATION	NORTHING	EASTING
POT 0+498.778	9999.855	10006.096
POT 0+530.000	10031.069	10006.808



BID OPPORTUNITY No. 209-2014

METRIC
WHOLE NUMBERS INDICATE MILLIMETRES
DECIMAL NUMBERS INDICATE METRES

EXISTING	LEGEND - PLAN	NEW	EXISTING	LEGEND - PLAN	NEW	EXISTING	LEGEND - PLAN	NEW
○	GAS	○	MANHOLE	●	CONCRETE PAVEMENT	▨	LOCATION APPROVED	▨
□	MTS	□	CATCH BASIN / CATCH PIT	■	CONC SIDEWALK / MEDIAN	▨	UNDERGROUND STRUCTURES	▨
△	HYDRO	△	CURB INLET WITH BOX	▲	ASPHALT PAVEMENT	▨		▨
—	CATV / FIBRE OPTIC	—	TREE	—	PAVING STONE	▨		▨
—	TRAFFIC SIGNALS / PIT	—	TEST HOLE	—	GRAVEL	▨		▨
—	LAND DRAINAGE SEWER	—	PROPERTY LINE	—	RAMP CURB	▨		▨
—	SANITARY/COMBINED SEWER	—	SURVEY BAR	—	PLANING / REMOVAL	▨		▨
—	SEWER SERV/DRAINAGE CONN	—	FENCE	—		▨		▨
—	WATERMAIN	—	BOC / EDGE OF PAVEMENT	—		▨		▨
—	SUBDRAIN	—	ELEVATION	—		▨		▨
—	DITCH	—	TRAFFIC SIGN	—		▨		▨

LOCATION APPROVED UNDERGROUND STRUCTURES

DATE: _____

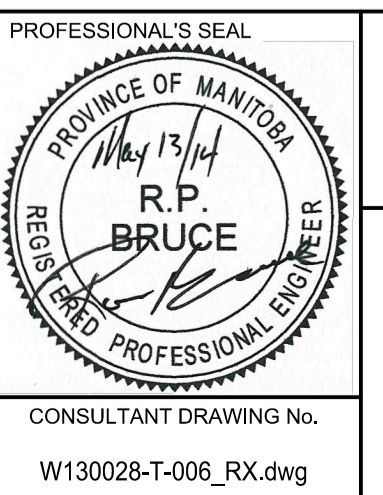
NOTE: LOCATION OF UNDERGROUND STRUCTURES AS SHOWN ARE BASED ON THE BEST INFORMATION AVAILABLE. BUT NO GUARANTEE IS GIVEN THAT ALL EXISTING UTILITIES ARE SHOWN OR THAT THE GIVEN LOCATIONS ARE EXACT. CONFIRMATION OF EXISTENCE AND EXACT LOCATION OF ALL SERVICES MUST BE OBTAINED FROM THE INDIVIDUAL UTILITIES BEFORE PROCEEDING WITH CONSTRUCTION.

GBM 37-029
ELEV 232.536m

No.	REVISIONS	DATE	BY
0	ISSUED FOR CONSTRUCTION	14/05/14	RPB

MORRISON HERSHFIELD

DESIGNED BY	WRJ	CHECKED BY	RPB
DRAWN BY	DID, DML	APPROVED BY	BWB
HOR. SCALE	1:250	RELEASED FOR CONSTRUCTION	05/14/14
VERT. SCALE	1:10	DATE	13/10/28



THE CITY OF WINNIPEG
PUBLIC WORKS DEPARTMENT
ENGINEERING DIVISION

2014 LOCAL STREETS PACKAGE
VICTOR STREET
ELLICE AVENUE TO SARGENT AVENUE
CONCRETE RECONSTRUCTION
HORIZONTAL AND VERTICAL ALIGNMENT
STA 0+410 TO STA 0+520

CITY DRAWING NUMBER	REV
N/A	0
SHEET 6 OF 34	
DRAWING No. 6	