

GENERAL NOTES

- A. CONTRACTOR SHALL BE RESPONSIBLE FOR COORDINATING EXACT LAYOUT, ROUTING, ETC. VERIFY EXISTING SERVICES ON SITE. EXACT LOCATION OF ALL ELECTRICAL DEVICES, LIGHT FIXTURES AND EXIT SIGNS ARE TO BE CONFIRMED WITH CONTRACT ADMINISTRATOR PRIOR TO ROUGH-IN.
- B. CONTRACTOR SHALL ENSURE COORDINATION BETWEEN ALL TRADES AND CONTRACT ADMINISTRATOR, ON AND OFF SITE, AS REQUIRED FOR INSTALLATION OF ELECTRICAL EQUIPMENT.
- C. FOR POWER CONDUIT AND WIRING (WIRING FOR LIGHT FIXTURES, SWITCHES, EXIT LIGHT ETC.) PENETRATIONS THROUGH FULL HEIGHT WALL PARTITIONS, PROVIDE OPENINGS TO SUIT CONDUIT AND CABLE PENETRATIONS. SEAL ALL PENETRATIONS THROUGH FIRE RATED WALLS WITH FIRE STOP AS REQUIRED. WHERE NEW CABLES OR CONDUIT HAVE BEEN INSTALLED THROUGH NEW FIRE RATED WALLS, SEAL OPENING AROUND CABLE AND CONDUIT TO MAINTAIN RATING.
- D. FOR ALL EXISTING ELECTRICAL DEVICES, FIXTURES, EQUIPMENT, ETC. THAT ARE TO BE REMOVED, REMOVE EXISTING CONDUIT, WIRE, EQUIPMENT, ETC. BACK TO SOURCE UNLESS OTHERWISE INDICATED.
- E. ALL EQUIPMENT, DEVICES, FIXTURES REMOVED UNDER DEMOLITION SCOPE WILL BE FIRST OFFERED TO THE CITY FOR REFUSAL FOLLOWED BY CONTRACTOR AND FINALLY TO BE LEGALLY DISPOSED OF.
- F. CONTRACTOR SHALL INSTALL J-HOOKS AND HANGERS IN THE CEILING TO SUPPORT ALL EXISTING LOOSE HANGING WIRES.

DEMOLITION KEY NOTES ##

- 1. DISCONNECT AND REMOVE EXISTING EXIT SIGN, CONDUIT AND WIRE TO REMAIN. EXISTING EXIT SIGN TO BE STORED AND RE-USED AS PART OF THE RENOVATION.
- 2. REMOVE ALL EXISTING WIRE AND CONDUIT ASSOCIATED WITH EXISTING LIGHT FIXTURES (FIXTURES REMOVED BY THE CITY).
- 3. REMOVE ALL TEMPORARY LIGHTING ONCE NEW CEILING LIGHTING IS IN PLACE. REMOVE ALL WIRING BACK TO SOURCE. LEAVE BREAKER FEEDING TEMPORARY LIGHTING AND LABEL AS SPARE. UPDATE PANEL SCHEDULE TO REFLECT CHANGES.
- 4. DISCONNECT AND REMOVE EXISTING SECURITY CAMERA. CAMERA TO BE STORED AND USED AS PART OF THE RENOVATION. REMOVE WIRE, CONDUIT ETC. BACK TO DOOR LOCATED AT GRID E AND C.

KEY NOTES #

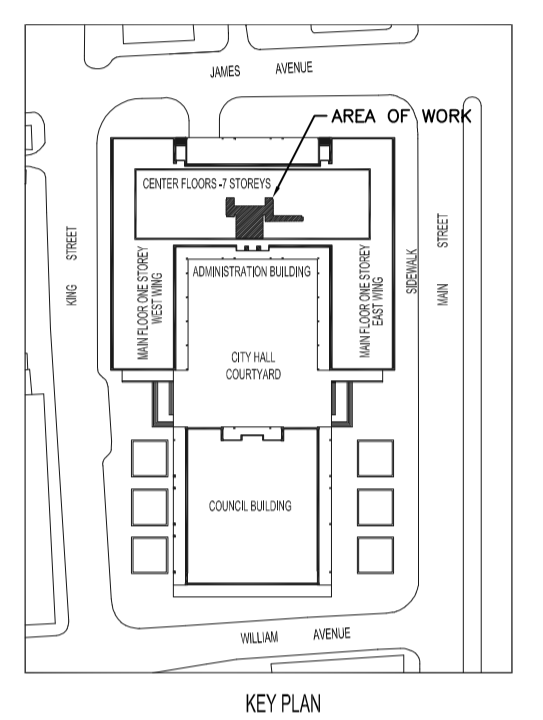
- 1. SUPPLY, WIRE AND INSTALL NEW 24" X 24" LIGHT FIXTURE.
- 2. SUPPLY, WIRE AND INSTALL NEW 6" COMPACT FLUORESCENT FIXTURE.
- 3. SUPPLY, WIRE AND INSTALL NEW 24" X 48" LIGHT FIXTURE.
- 4. REINSTALL AND WIRE EXISTING EXIT SIGN.
- 5. WIRE AND CONNECT NEW FIXTURE TO NEAREST EMERGENCY NIGHT LIGHT CIRCUIT SERVING AREA WITH CAPACITY.
- 6. ALL NEW FIXTURES SHALL BE CONTROLLED BY EXISTING LIGHTING CONTROL SYSTEM (24V DC RELAYS). CONFIRM EXACT LOCATION OF EXISTING RELAYS ON SITE PRIOR TO INSTALLATION. PROVIDE ADDITIONAL RELAYS AS REQUIRED.
- 7. COORDINATE INSTALLATION OF NEW BREAKERS WITH THE CITY.
- 8. WIRE AND INSTALL SECURITY CAMERA STORED DURING DEMOLITION. CONFIRM LOCATION WITH CITY. PROVIDE NEW CONDUIT, WIRE, ETC. TO NEW CAMERA LOCATION. CONDUIT TO RUN ABOVE NEW CEILING SPACE.

SYMBOL LEGEND

	EXIT LIGHT
	FLUORESCENT FIXTURE, A1-PANEL AND CIRCUIT, a-CONTROL
	LIGHT FIXTURE CONNECTED TO EMERGENCY NIGHT LIGHT CIRCUIT (TYPICAL FOR ALL LIGHT FIXTURES)
	DOWN LIGHT
	SURFACE MOUNTED PANEL

• PLEASE NOTE •
 ALL EQUIPMENT SHOWN "FADED BACK" IS EXISTING TO REMAIN UNLESS OTHERWISE NOTED.
 ALL EQUIPMENT SHOWN "DASHED" IS EXISTING TO BE DEMOLISHED UNLESS OTHERWISE NOTED.
 ALL EQUIPMENT SHOWN "SOLID" IS NEW TO BE INSTALLED UNLESS OTHERWISE NOTED.

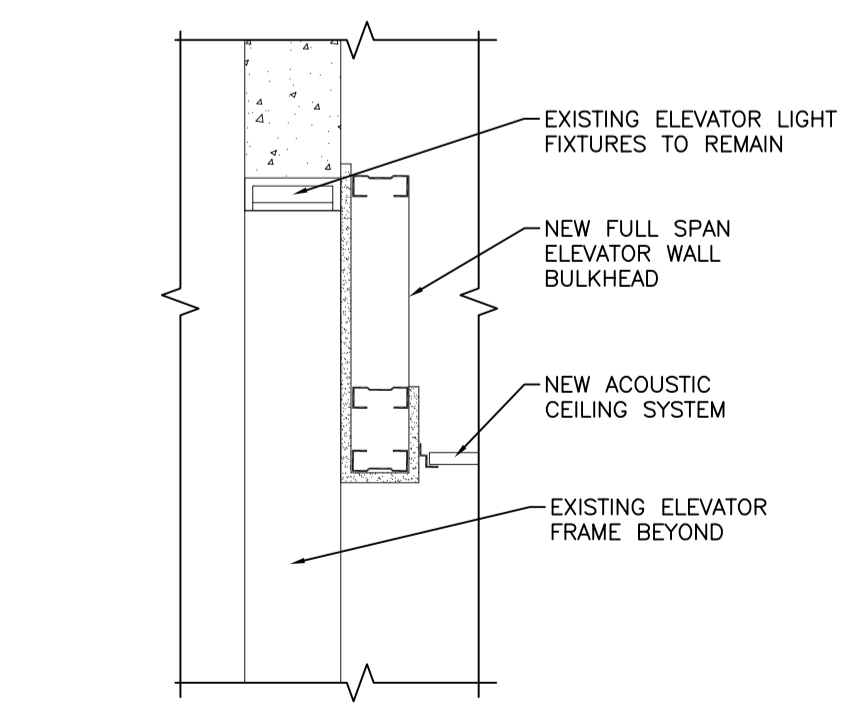
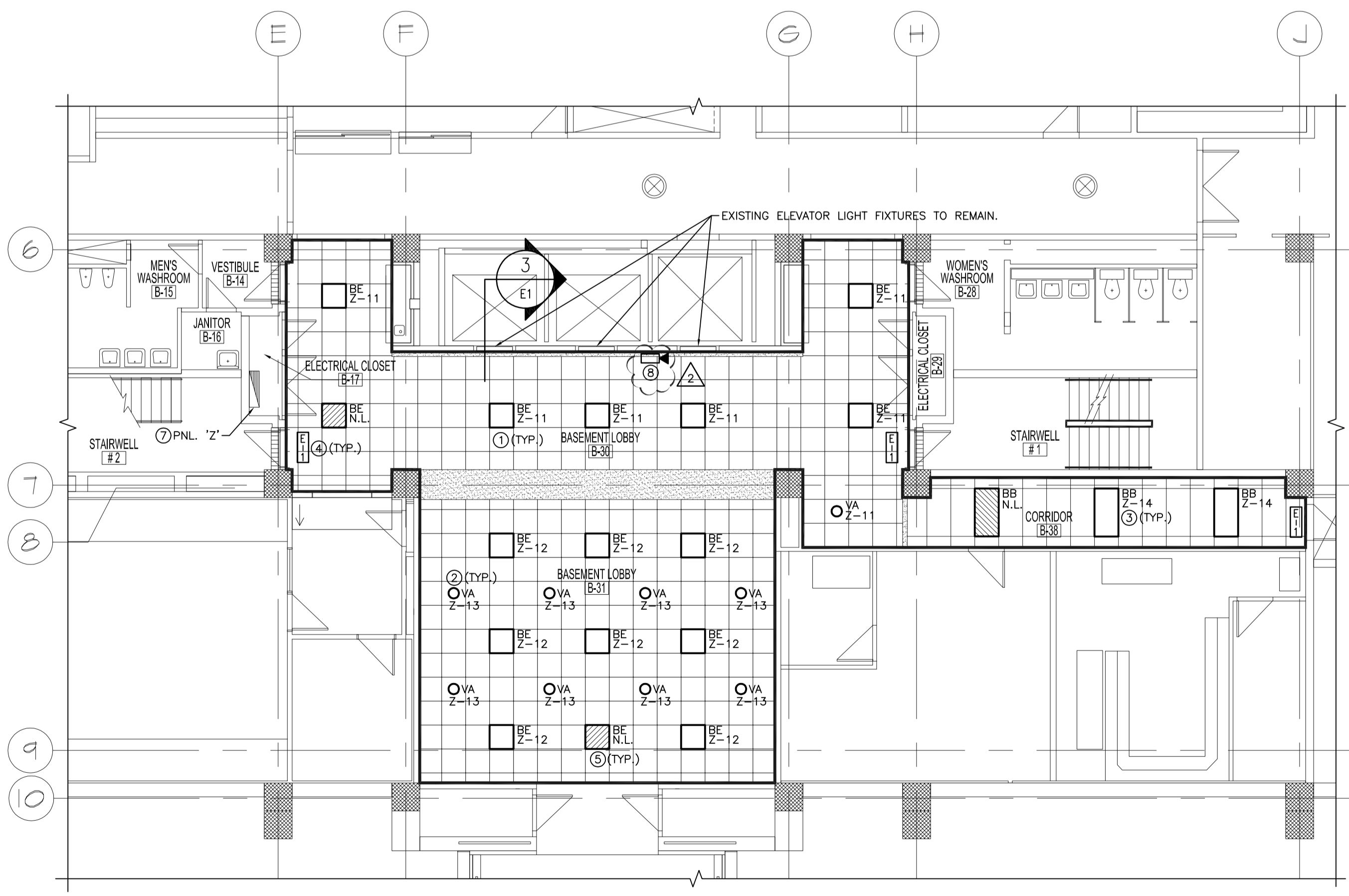
NOTES:
 THESE DRAWINGS SHALL NOT BE SCALED.
 THE CONTRACTOR SHALL VISIT THE SITE AND SATISFY HIMSELF ALL DIMENSIONS, DATUM, AND DETAILED INFORMATION SHOWN ARE CORRECT.
 THE CONTRACTOR IS TO REVIEW AND COORDINATE ALL ARCHITECTURAL, MECHANICAL, ELECTRICAL AND STRUCTURAL DRAWINGS FOR ADDITIONAL OPENINGS THROUGH FLOORS, WALLS, AND CEILINGS FOR DUCT, PIPE & ELECTRICAL RISERS AND ALL OPENINGS NOT SHOWN ON DRAWINGS.
 ALL OPENINGS THROUGH FIRE ASSEMBLIES ARE TO BE FIRE STOPPED AND SEALED WITH ULIC APPROVED FIRE STOPPING TO MAINTAIN THE INTEGRITY OF THE FIRE SEPARATION, AND PROVIDE A SMOKE-TIGHT BARRIER.
 ALL PRODUCTS AND MATERIALS TO BE USED AND INSTALLED SHALL CONFORM WITH MANUFACTURER'S SPECIFICATIONS & APPLICABLE CODES.
 THE CONTRACTOR SHALL BE RESPONSIBLE TO PATCH AND MAKE GOOD ALL EXISTING CONSTRUCTION AFFECTED BY THE REMOVAL OF ALL ITEMS FORMING THE PART OF THE RENOVATION WORK.
 WHERE NEW FLOORING AND BASE IS TO BE INSTALLED IN EXISTING AREAS (REFER TO FLOOR PLAN AND ROOM SCHEDULE) THE EXISTING FLOORING SURFACE AND BASE MUST BE REMOVED, UNLESS OTHERWISE NOTED. ALL FLOOR SURFACES SHALL BE PREPARED IN ACCORDANCE TO MANUFACTURER'S RECOMMENDATIONS FOR INSTALLATION OF NEW FLOOR.
 WHERE PAINTING OF EXISTING WALLS IS INDICATED ON THE ROOM SCHEDULE, THESE WALLS MUST BE CLEANED OF ANY EXISTING WALL COVERING, PATCHED & PREPARED TO ACCEPT NEW MATERIAL, UNLESS OTHERWISE NOTED.



LUMINAIRE SCHEDULE

FXLT. TYPE	LAMPS	VOLTAGE	DESCRIPTION	NOTES	APPROVED MANUFACTURERS
BB	2 F32 T8	120V	RECESSED 2'x4' IN T-BAR CEILING C/W CAM ACTION HINGED FRAMED .125" K12 ACRYLIC LENS		C & M: 2GRS-232-FS12 CFI: AA2W8-VB LITHONIA: 2GT8232A12125 METALUX: 2GR8-232A.125 PEERLESS: LACH-24G-232-12.125
BE	2 F32 T8 U	120V	RECESSED 2'x2' IN T-BAR CEILING C/W CAM ACTION HINGED FRAMED .125" K12 ACRYLIC LENS		C & M: 2GRS-231U6-FS12 CFI: AA2U6-VB LITHONIA: 2GT82U316A12125 METALUX: 2GR8-2U6A.125 PEERLESS: LACH-22G-231-12.125
VA	1-26W DTT	120V	RECESSED 1 LAMP FLUORESCENT POT LIGHT C/W BLACK MULTIGROOVE DIE-CAST BAFFLE WHITE TRIM RING - 6 1/2" Ø OPENING		CAPRI: CM6-F126-S1/H65B OR APPROVED EQUAL IN ACCORDANCE WITH B7

SMS ENGINEERING
 SMS Engineering Ltd. Consulting Engineers
 770 Bradford Street Winnipeg MB Canada R3H 0N3
 Telephone: 204.775.0291 Fax: 204.772.1153
 sms@smseng.com
 11-173-02



3 SECTION-BULKHEAD-ELEVATOR LIGHT FIXTURES
 SCALE: 1" = 1'-0"

PANEL Z
 FED FROM: EXISTING CDP LOCATION: ELECTRICAL CLOSET B-17
 LOCATION: MAIN ELECTRICAL ROOM

Designation	Load (VA)	Clk. No.	hkr. No.	Phase	Clk. No.	hkr. No.	Load (VA)	Designation
Existing	15	1	A	10	15	10	15	Existing
Existing	15	2	B	11	15	11	600	LIGHTING FIXTURE TYPE BE AND VA
Existing	15	3	C	12	15	12	720	LIGHTING FIXTURE TYPE BE
Existing	15	4	A	13	15	13	320	LIGHTING FIXTURE TYPE VA
Existing	15	5	B	14	15	14	240	LIGHTING FIXTURE TYPE BB
Existing	15	6	C	15				Space
Existing	15	7	A	16				Space
Existing	15	8	B	17				Space
Existing	15	9	C	18				Space
VOLTAGE: 120/208V, 3Ø, 4W		LOADS:		PH.A	320			
CAPACITY: 100A				PH.B	840			
MOUNTING SURFACE				PH.C	720			
REMARKS: EXISTING				TOTAL	1880			

SUPPLY AND INSTALL NEW 15A SINGLE POLE BREAKERS.
 ONLY CALCULATED LOAD FOR NEW LIGHT FIXTURES ARE SHOWN
 CONTRACTOR TO UPDATE PANEL SCHEDULE ACCORDINGLY

SMS ENGINEERING
 SMS Engineering Ltd. Consulting Engineers
 770 Bradford Street Winnipeg MB Canada R3H 0N3
 Telephone: 204.775.0291 Fax: 204.772.2153
 sms@smseng.com

PANEL SCHEDULE Z
 510 Main Street Sprinklers-Basement lobby Renovations
 PROJECT: 11-173-02
 FILE: 720
 DATE: 21-Mar-14

APECM
 Certificate of Authorization
 SMS Engineering Ltd.
 No. 166 Expiry: April 30, 2014

ORIGINAL CONTRACT DRAWING
 SIGNED AND SEALED BY
 G.J. WHIFFEN, P. ENG
 MARCH 17, 2014

No.	REVISION/DESCRIPTION	BY	DATE
2	ISSUED FOR ADDENDUM 1	GW	03/21/14
1	ISSUED FOR BID OPPORTUNITY	GW	03/17/14
0	ISSUED FOR CONSTRUCTION	GW	12/04/13

Winnipeg
 THE CITY OF WINNIPEG
 PLANNING, PROPERTY AND
 DEVELOPMENT DEPARTMENT
 MUNICIPAL ACCOMMODATIONS DIVISION
 3-65 GARRY STREET, R3C 4K4

PROJECT
 CITY HALL - ADMINISTRATION BUILDING
 BASEMENT & SUB-BASEMENT
 FINISHED SURFACE DESIGN
 510 MAIN STREET

SHEET TITLE
 PARTIAL BASEMENT FLOOR PLAN -
 LIGHTING DEMOLITION
 AND RENOVATION

SCALE	PROJECT No:	SHEET No:
AS NOTED	2009-079-03	E1.0