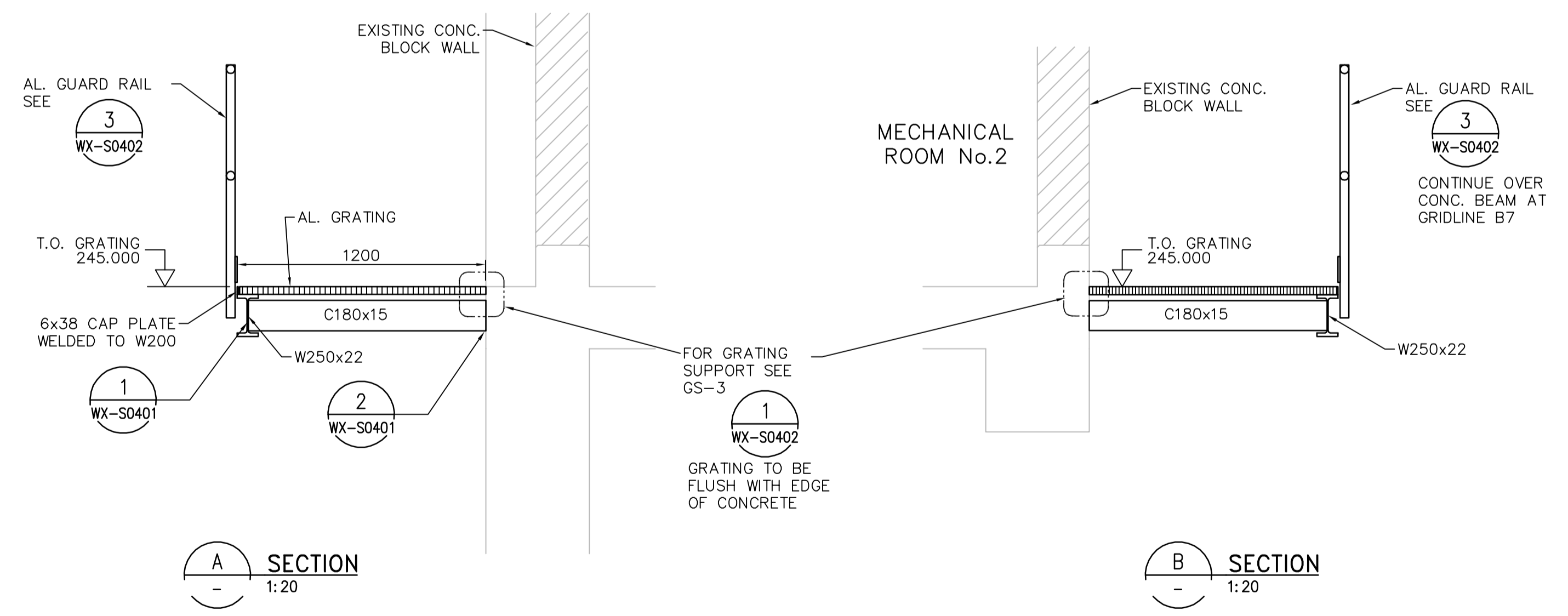


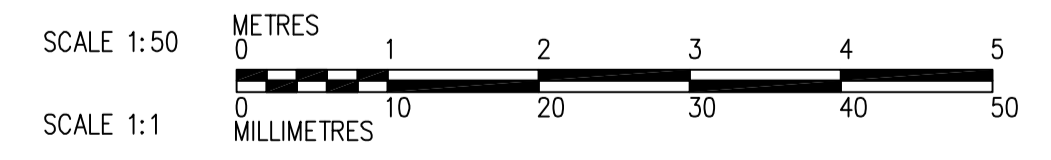
1 MEZZANINE PLAN  
1:50

- NOTES:
- CONTRACTOR TO VERIFY ALL DIMENSIONS AND ELEVATIONS PRIOR TO FABRICATION.
  - ALL STEEL FRAMING AND SUPPORTS TO BE HOT DIPPED GALVANIZED.
  - INSPECT, CLEAN AND PREPARE EXISTING CONCRETE SURFACES SUITABLE BEFORE INSTALLATION.
  - SEE DETAIL 1 FOR TYPICAL BEAM TO BEAM CONNECTION.
  - SEE DETAIL 2 FOR CONNECTIONS TO CONCRETE.
  - ALUMINUM GRATING RATED FOR FOOT TRAFFIC 4.8kPa. SEE DETAIL 1.
  - PROVIDE PROTECTION BETWEEN DISSIMILAR METALS.
- GS-3 SUPPORT TYPICAL AT CONCRETE WALL/ BEAM LOCATIONS ONLY.



A SECTION  
1:20

B SECTION  
1:20



REFERENCE DRAWINGS:

1-0601R-S0015-001-02 STRUCTURAL RESIDUALS HANDLING AREA THIRD FLOOR PLAN



B.M. ELEV.		CONSTRUCTION COMPLETION DATE: YYYY MM DD	
DESIGNED BY	KS	CHECKED BY	RP
DRAWN BY	JBC	APPROVED BY	BW
SCALE: HORIZONTAL	AS SHOWN	RELEASED FOR CONSTRUCTION	
SCALE: VERTICAL	-	DATE	2014 01 21
ISSUED FOR TENDER	14-01-21	JBC	
NO.	REVISIONS	DATE	BY

**CH2MHILL**

ENGINEER'S SEAL

PROVINCE OF MANITOBA  
PARIKH  
Member  
30474  
REGISTERED PROFESSIONAL ENGINEER

CONSULTANT DRAWING NUMBER  
WX-S0131

THE CITY OF WINNIPEG  
WATER AND WASTE DEPARTMENT  
ENGINEERING DIVISION

MEZZANINE, WALKWAY AND EQUIPMENT SUPPORTS  
FOR A WATER TREATMENT RESEARCH AND  
PROCESS OPTIMIZATION FACILITY  
STRUCTURAL  
WALKWAY PLAN AT 245.000

SHEET 3 OF 9  
CITY DRAWING NUMBER  
1-0601X-S0002-001-00