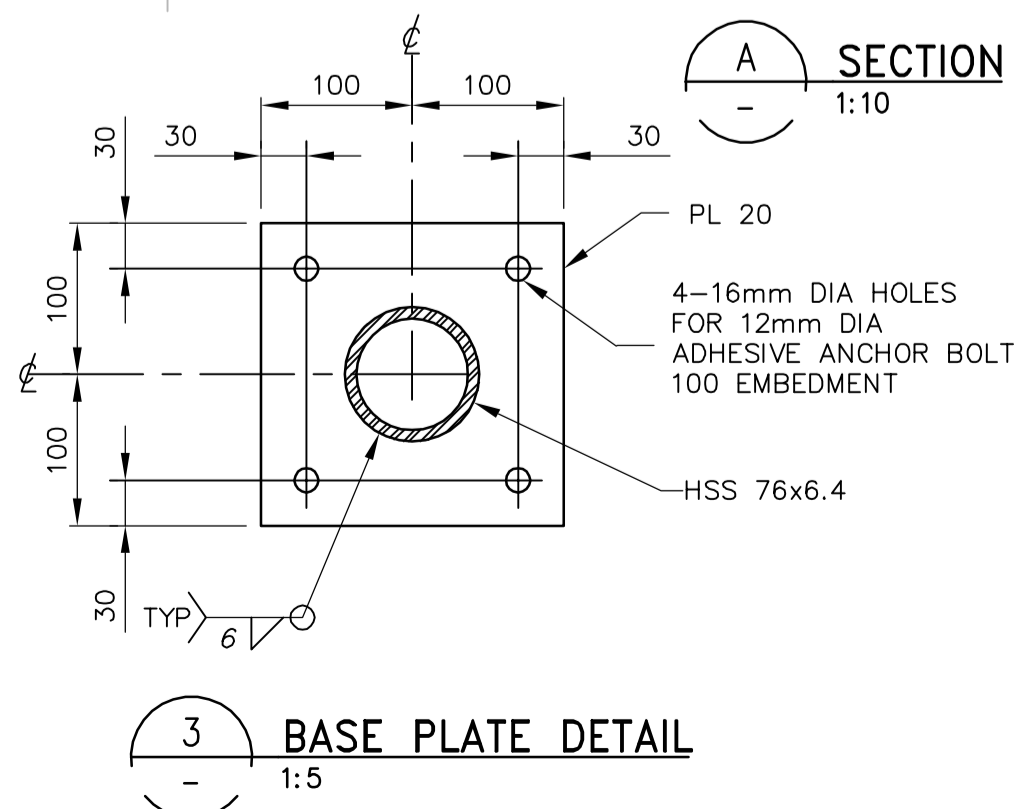
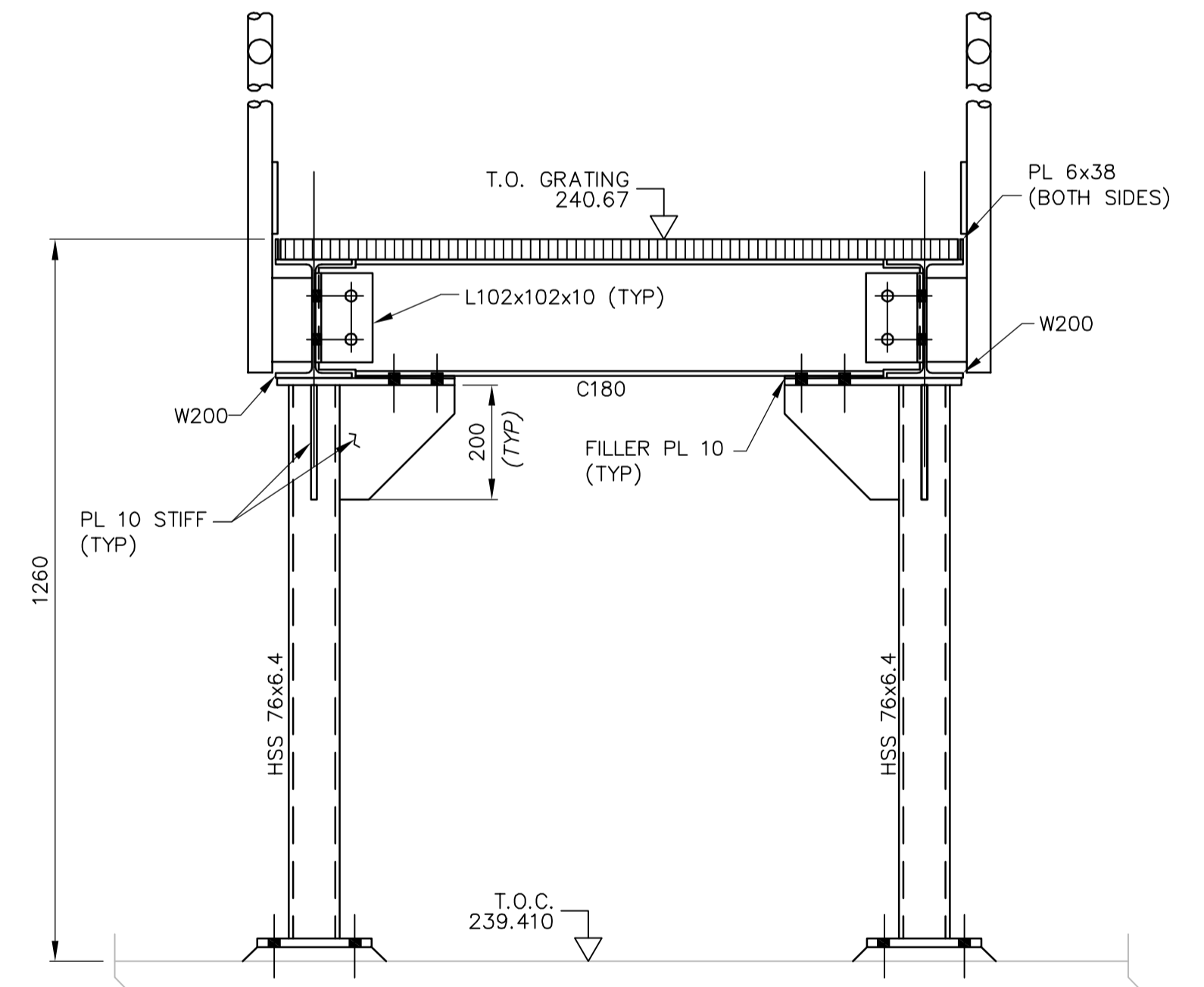
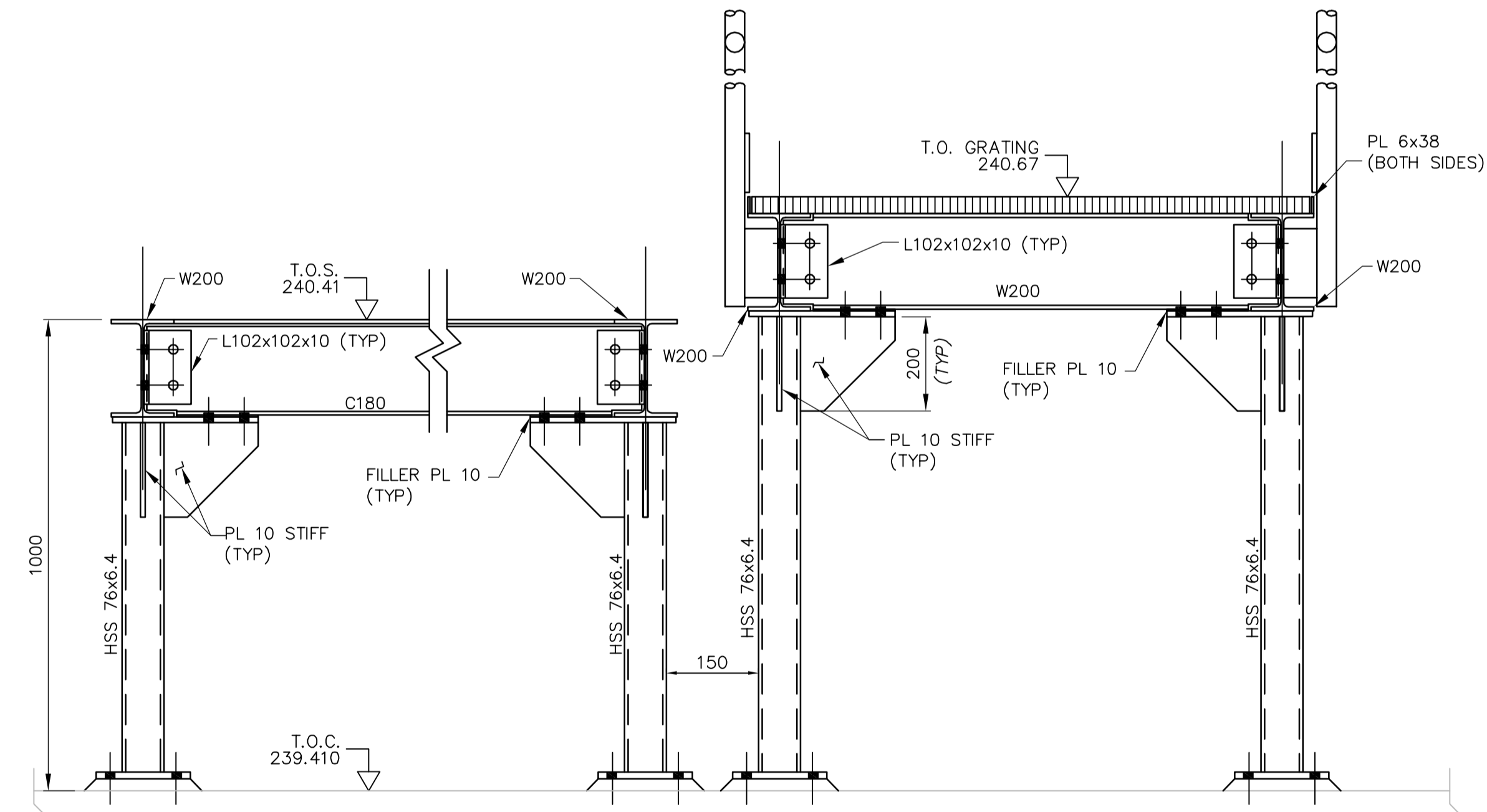
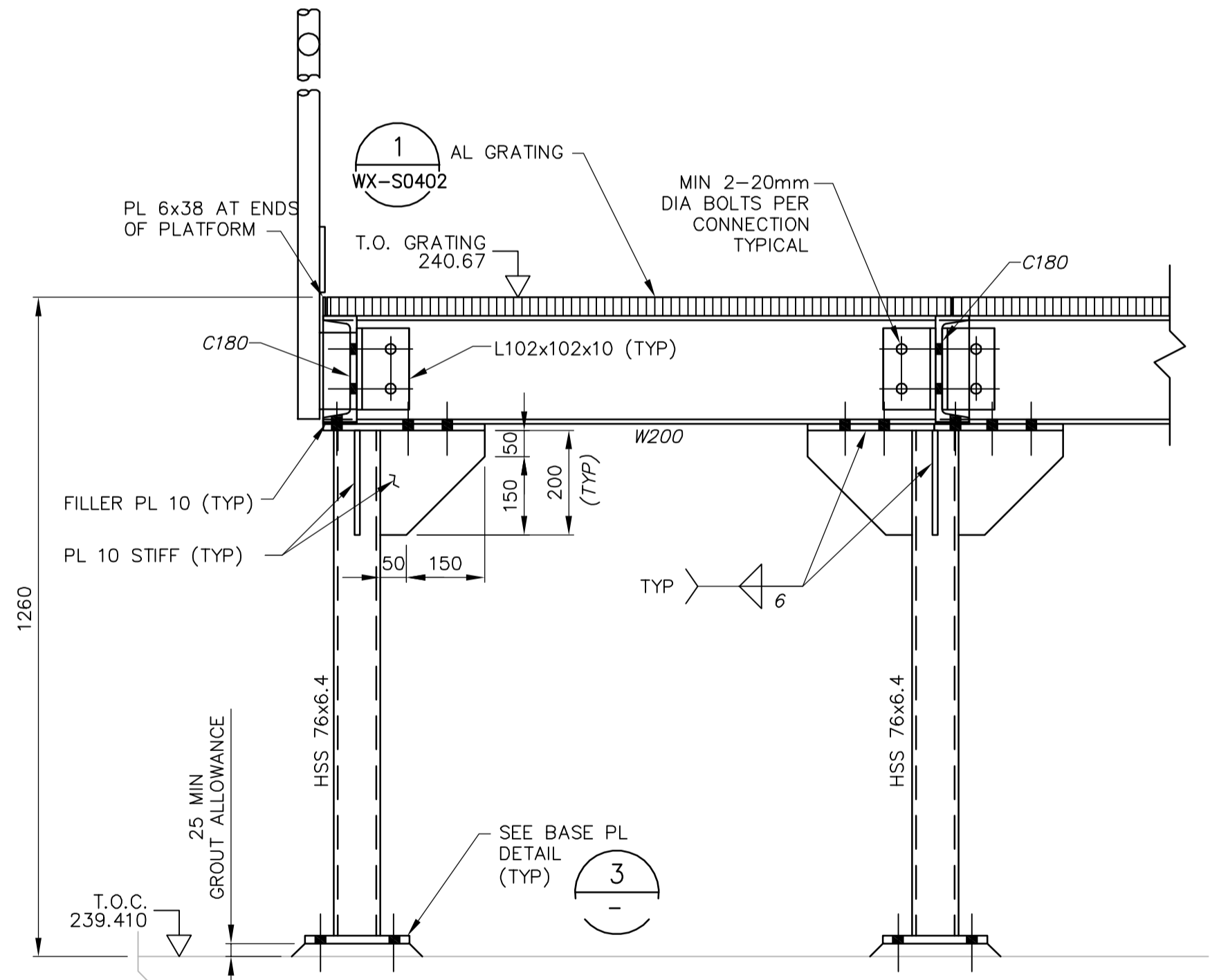


- NOTES:**
- CONTRACTOR TO FIELD VERIFY ALL DIMENSIONS AND ELEVATIONS PRIOR TO FABRICATION
 - HANDRAIL TO ATTACH TO PROPOSED PLATFORM FRAME ONLY. HANDRAIL TO SAFELY ENCLOSE PLATFORM AREA.
 - COORDINATE WITH PROCESS DRAWINGS FOR REQUIRED OPENINGS IN GRATING
 - ALL STEEL FRAMING AND SUPPORTS TO BE HOT DIPPED GALVANIZED
 - CLEAN AND PREPARE EXISTING CONCRETE SURFACE SUITABLY BEFORE PLACING GROUT UNDER BASE PLATES
 - LL = 4.8 kPa.



APEGM
Certificate of Authorization
CH2M HILL Canada Ltd.
No. 1441 Date: 2014 01 21

B.M. ELEV.			
CONSTRUCTION COMPLETION DATE: YYYY MM DD			
DESIGNED BY	KS	CHECKED BY	RP
DRAWN BY	JBC	APPROVED BY	BW
SCALE: HORIZONTAL AS SHOWN		RELEASED FOR CONSTRUCTION	
0 ISSUED FOR TENDER	14-01-21	JBC	
NO. REVISIONS	DATE	BY	DATE
			2014 01 21

CH2MHILL

ENGINEER'S SEAL
PROVINCE OF MANITOBA
PARIKH
Member
30474
REGISTERED PROFESSIONAL ENGINEER

CONSULTANT DRAWING NUMBER
WX-S0404

THE CITY OF WINNIPEG
WATER AND WASTE DEPARTMENT
ENGINEERING DIVISION

Winnipeg

MEZZANINE, WALKWAY AND EQUIPMENT SUPPORTS FOR A WATER TREATMENT RESEARCH AND PROCESS OPTIMIZATION FACILITY
STRUCTURAL
STANDARD DETAILS
SHEET 4 OF 4

SHEET 9 OF 9
CITY DRAWING NUMBER
1-0601X-S0004-004-00