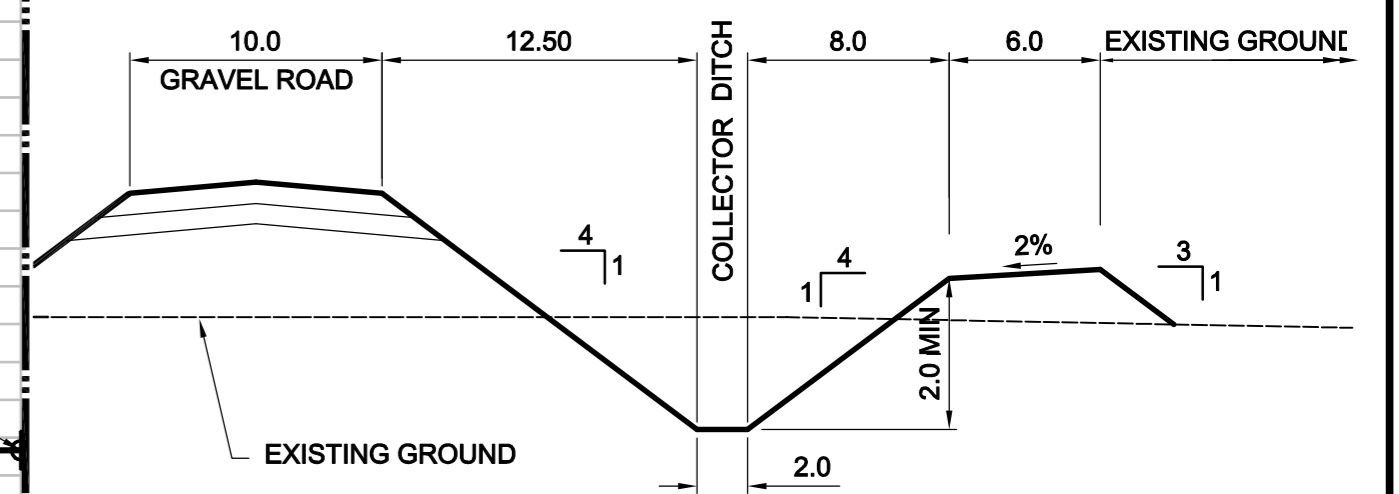
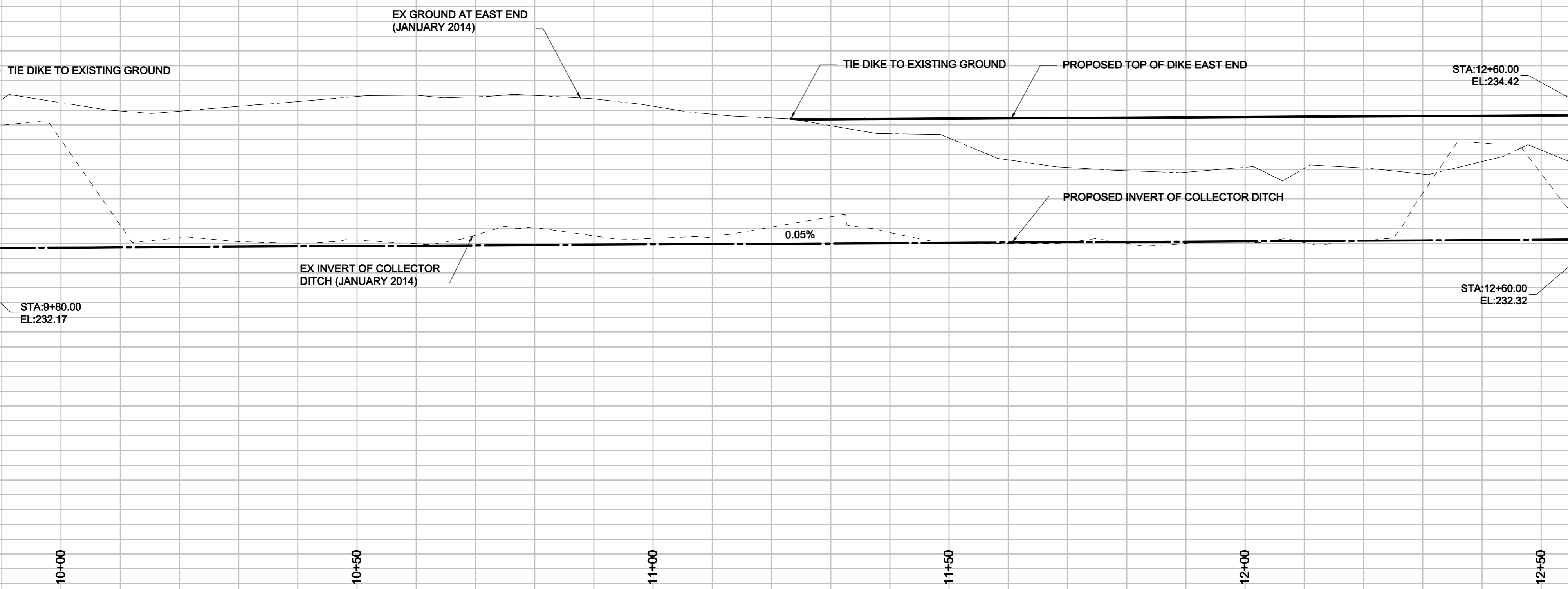


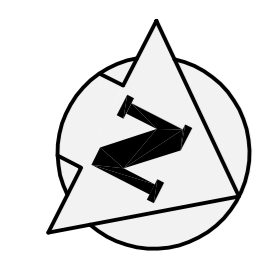
236.0  
235.0  
234.0  
233.0  
232.0  
231.0



**TYPICAL COLLECTOR DITCH SECTION  
(STA 9+20 TO STA 13+30)**  
HOR 1:300, VER 1:100

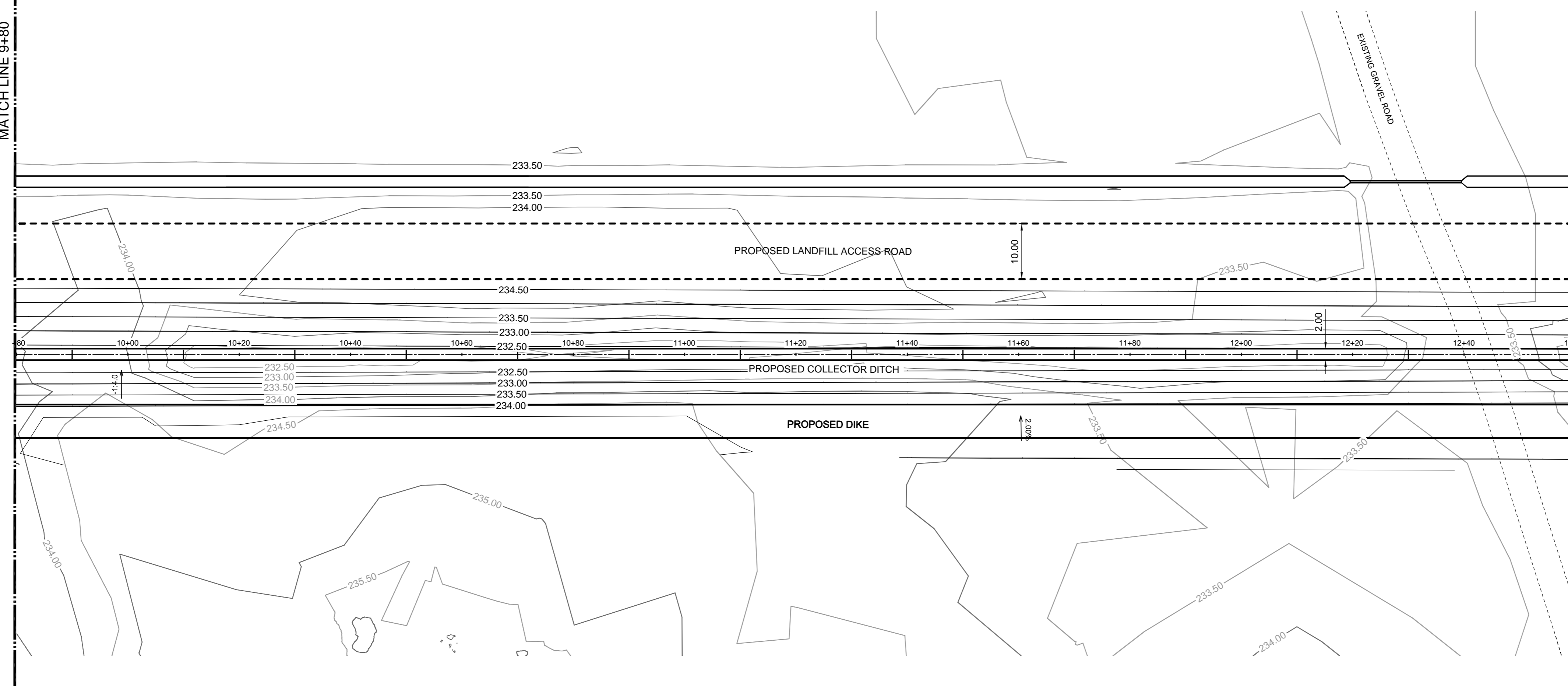
NOTE:  
DITCH AND SLOPE ELEVATIONS SHOWN ARE FINAL ELEVATIONS THAT INCLUDE 50mm OF SOIL AMENDED MATERIAL.

NOTE:  
DITCHES HAVE BEEN ROUGH GRADED BY OTHERS. CONTRACTOR TO FINISH GRADE DITCHES TO DESIGN ELEVATIONS.

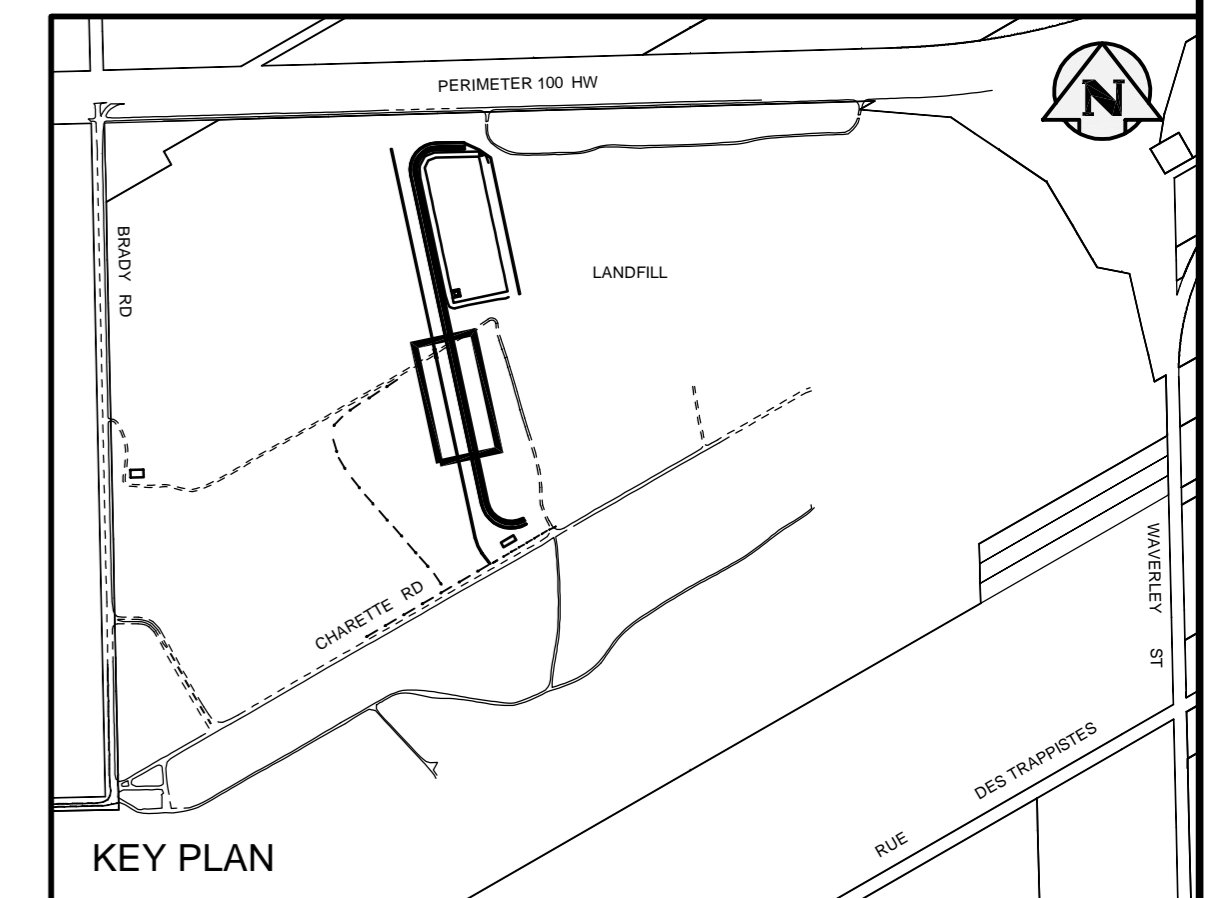


MATCH LINE 9+80

MATCH LINE 12+60



BID OPPORTUNITY 259-2014



EXISTING	LEGEND-PLAN	PROPOSED	EXISTING	LEGEND-PLAN	PROPOSED	EXISTING	LEGEND-PLAN	PROPOSED	
		CONTOURS							
		DITCH							
		EDGE OF GRAVEL ROAD							

**APEGM**  
Certificate of Authorization  
**TETRA TECH WEI Inc.**  
No. 5313 Date: April 30, 2014

B.M. ELEV.			
DESIGNED BY	SV	CHECKED BY	GS, GC
DRAWN BY	GMD	APPROVED BY	BLM
HOR. SCALE:	1 : 500	RELEASED FOR CONSTRUCTION	
VERTICAL:	1 : 50		
ISSUED FOR TENDER	14.03.26	GC	
NO. REVISIONS	DATE	BY	DATE
00			13.11.20

**TETRA TECH**

DESIGNED BY SV  
DRAWN BY GMD  
HOR. SCALE: 1 : 500  
VERTICAL: 1 : 50  
DATE 13.11.20

CHECKED BY GS, GC  
APPROVED BY BLM  
RELEASED FOR CONSTRUCTION  
DATE

**PROVINCE OF MANITOBA**  
**G. A. CHURCHILL**  
Member  
25653  
14-222  
REGISTERED PROFESSIONAL ENGINEER

CONSULTANT DRAWING NO.  
1300120600-DWG-C0009

**THE CITY OF WINNIPEG**  
WATER AND WASTE DEPARTMENT

BRADY ROAD LANDFILL ACCESS ROAD AND DISPOSAL CELL  
NEW COLLECTOR DITCH  
STATION 9+80 TO STATION 12+60

CITY DRAWING NUMBER  
**SWD-D-436**  
SHEET **9** OF **20**  
**C3002**