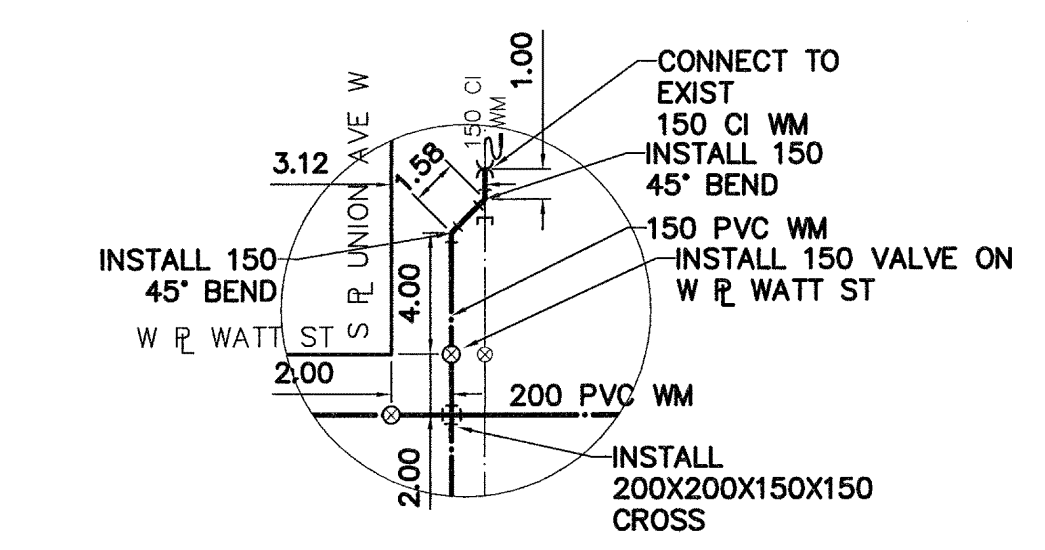
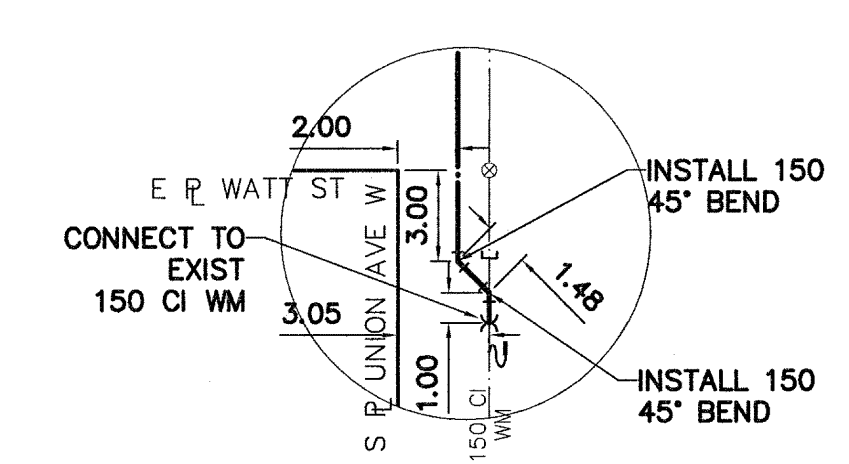


DETAIL "A"
SCALE: NTS

DETAIL "B"
SCALE: NTS



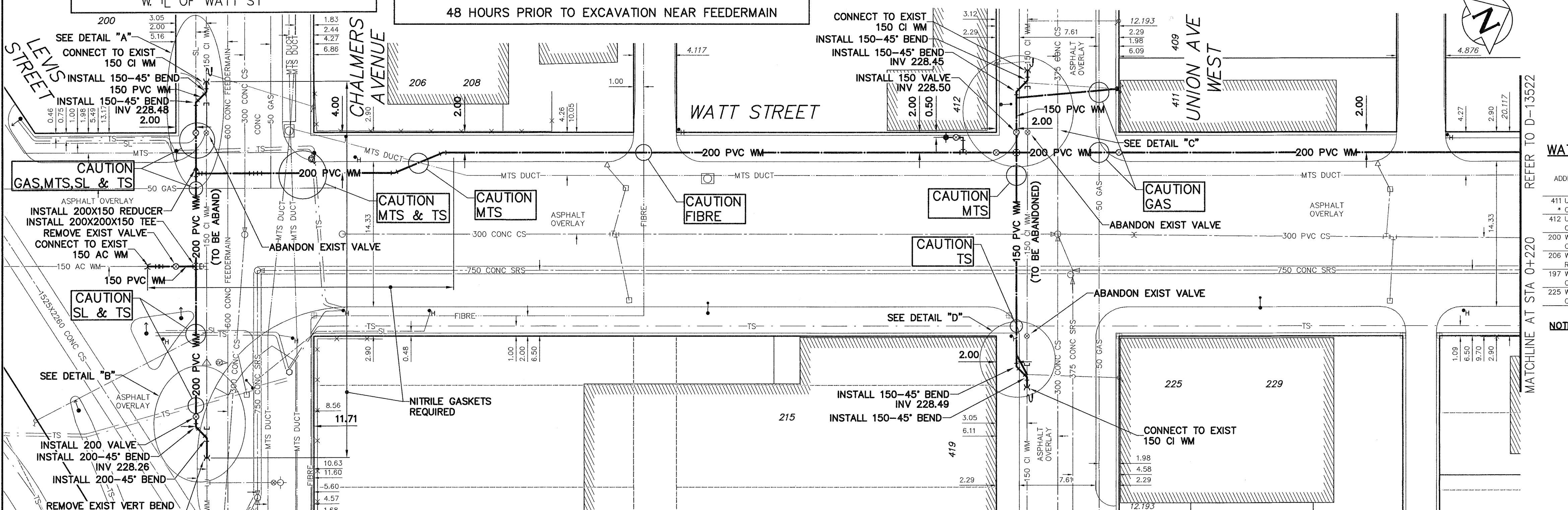
DETAIL "C"
SCALE: NTS



DETAIL "D"
SCALE: NTS

NOTE: CHAINAGES SHOWN ARE ALONG W. R. OF WATT ST

NOTE: NOTIFY DUANE BAKER (CITY OF WINNIPEG) AT 986-4289 48 HOURS PRIOR TO EXCAVATION NEAR FEEDERMAIN



WATER SERVICE INFORMATION

ADDRESS	SIZE (mm) MATERIAL (STREET)	SIZE (mm) MATERIAL (PROP.)	SHORT & LONG MEASUREMENT	CORPORATION LOCATION	REMARKS
411 UNION AV W	12 LEAD	12 LEAD	2.4 E W BLDG LINE	0.6 W S/C	REVERSE TAP, PREV. FROZEN ON PROPERTY RENEW TO PROPERTY
412 UNION AV W	20 LEAD	20 LEAD	6.4 W E HSE LINE	0.3 W S/C	UNION
220 WATT ST	20 LEAD	20 LEAD	6.7 WML WATT	0.3 W S/C	SERVICED FROM CHALMERS
206 WATT ST	20 LEAD	20 LEAD	11.3 E W BLDG LINE	0.3 W S/C	SERVICED FROM CHALMERS
206 WATT ST	20 LEAD	20 LEAD	3.1 W E BLDG LINE	3.4 W S/C	206/208 WATT SERVICED FROM CHALMERS
197 WATT ST	25 LEAD	25 LEAD	4.1 E W BLDG LINE	9.5 E EL WATT	SERVICED FROM CHALMERS
225 WATT ST	20 LEAD	20 LEAD	23.5 OUT FROM BLDG	9.45 E EL WATT	SERVICED FROM UNION ALSO 229 WATT

NOTE: REPLACE ALL EXISTING LEAD SERVICES FROM THE PROPOSED WATERMAIN TO PROPERTY LINE. RECONNECT ALL OTHER SERVICES UNLESS NOTED. LOCATION OF WATER SERVICES SHOWN ON DRAWINGS ARE APPROXIMATE. THE CONTRACTOR SHALL FIELD LOCATE ALL WATER SERVICES PRIOR TO CONSTRUCTION.



ALL VALVES TO BE COUNTER-CLOCKWISE TO CLOSE (RED OPERATING NUT)

WARNING
IF POWER EQUIPMENT OR EXPLOSIVES ARE TO BE USED FOR EXCAVATION ON THIS PROJECT THE CONTRACTOR MUST:
1) NOTIFY THE GAS COMPANY OF THE PROPOSED LOCATION OF EXCAVATION.
2) TAKE PRECAUTION TO AVOID DAMAGE TO GAS COMPANY INSTALLATIONS.
SEE PROVINCIAL REGULATION 210/72 FOR DETAILS

LOCATION APPROVED
UNDERGROUND STRUCTURES
SUPV. U/G STRUCTURES COMMITTEE DATE
NOTE: LOCATION OF UNDERGROUND STRUCTURES AS SHOWN ARE BASED ON THE BEST INFORMATION AVAILABLE BUT NO GUARANTEE IS GIVEN THAT ALL EXISTING UTILITIES ARE SHOWN OR THAT THE GIVEN LOCATIONS ARE EXACT. CONFIRMATION OF EXISTENCE AND EXACT LOCATION OF ALL SERVICES MUST BE OBTAINED FROM THE INDIVIDUAL UTILITIES BEFORE PROCEEDING WITH CONSTRUCTION.

B.M. 27-031 ELEV. 231.023m
CONSTRUCTION COMPLETION DATE:

NO.	REVISIONS	DATE	BY
0	ISSUED FOR TENDER	14/03/25	GSK
B	ADDED NITRILE GASKETS	14/03/25	GSK
A	ISSUED FOR REVIEW	14/03/19	GSK

AECOM

DESIGNED BY: GK
CHECKED BY: [Signature]
DRAWN BY: JP
APPROVED BY: [Signature]
RELEASED FOR CONSTRUCTION: [Signature]
SCALE: HORIZONTAL 1:250
VERTICAL 1:50
DATE: 2014 03 25

ENGINEER'S SEAL
PROVINCE OF MANITOBA
K.W.
FITCHETT
REGISTERED PROFESSIONAL ENGINEER
CONSULTANT DRAWING NUMBER: C-1005

THE CITY OF WINNIPEG
WATER AND WASTE DEPARTMENT
ENGINEERING DIVISION
2014 WATERMAIN RENEWALS
CONTRACT 2
WATT STREET
CHALMERS AVENUE TO
40m NORTH OF UNION AVENUE WEST
SHEET 6 OF 15
CITY DRAWING NUMBER: D-13521

