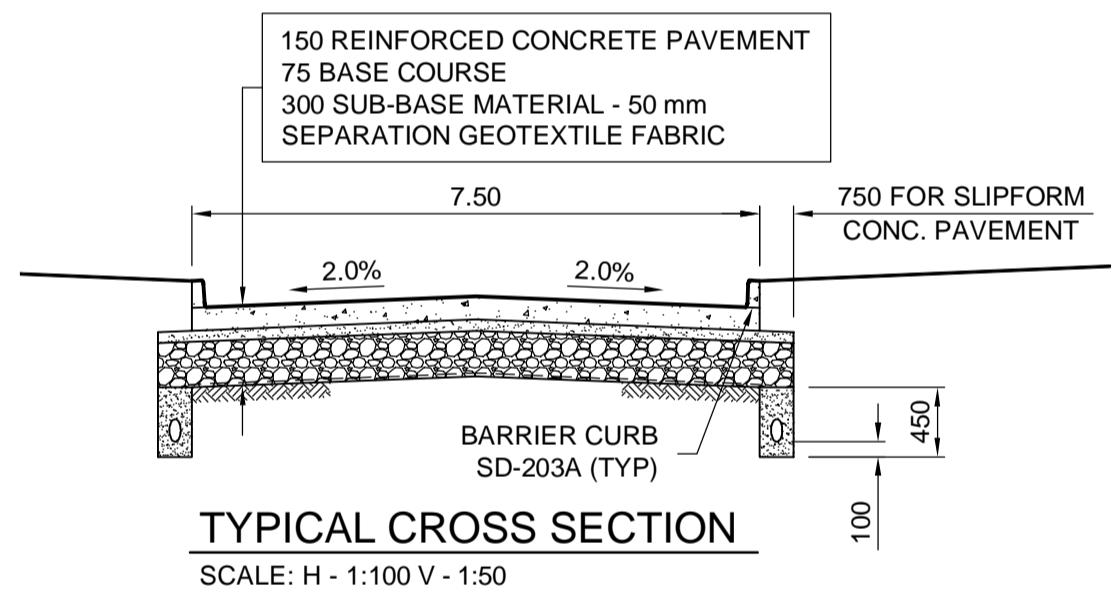
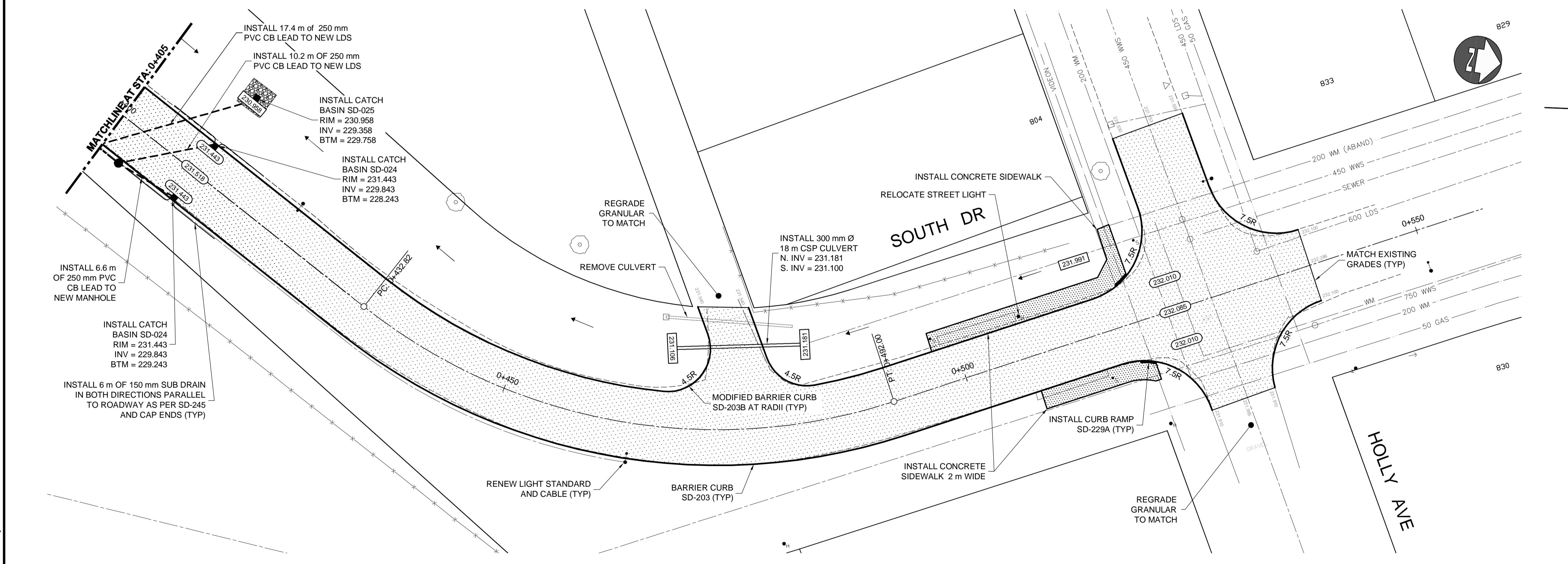


**CONSTRUCTION NOTES:**

1. ALL DIMENSIONS ARE TO BACK OF CURB.
2. ISOLATE MISCELLANEOUS ITEMS IN NEW CONCRETE WORKS AS PER SD-228C.
3. LEGAL PLAN AND UNDERGROUND INFORMATION FROM CITY OF WINNIPEG LBIS. CONTRACTOR TO VERIFY ALL UNDERGROUNDS IN THE FIELD.
4. CONTRACTOR TO TAKE PRECAUTIONARY STEPS TO AVOID DAMAGE FROM CONSTRUCTION ACTIVITIES TO TREES WITHIN THE LIMITS OF CONSTRUCTION.
5. LOCATION OF EXISTING SERVICES TO BE CONFIRMED IN THE FIELD BY THE CONTRACTOR.
6. CB LEADS TO BE INSTALLED AT MIN. 1.0% SLOPE OR AS DIRECTED BY CONTRACT ADMINISTRATOR.
7. LIMITS OF SIDEWALK RENEWAL TO BE FINALIZED IN THE FIELD BY THE CONTRACT ADMINISTRATOR.
8. LIMITS OF BOULEVARD GRADING TO BE FINALIZED IN THE FIELD BY THE CONTRACT ADMINISTRATOR.



**METRIC**

WHOLE NUMBERS INDICATE MILLIMETRES  
DECIMALIZED NUMBERS INDICATE METRES

**WARNING**

IF POWER EQUIPMENT OR EXPLOSIVES ARE TO BE USED FOR EXCAVATION ON THIS PROJECT THE CONTRACTOR MUST:

1. NOTIFY THE GAS COMPANY OF THE PROPOSED LOCATION OF EXCAVATION.
2. TAKE PRECAUTION TO AVOID DAMAGE TO GAS COMPANY INSTALLATIONS SEE PROVINCIAL REGULATION 210/72 FOR DETAILS.
3. OBTAIN EXCAVATION PERMITS PRIOR TO CONSTRUCTION.



Certificate of Authorization  
**Dillon Consulting Limited (MB)**  
No. 1789 Date: 04/22/2014

EXISTING	LEGEND-PLAN	PROPOSED	EXISTING	LEGEND-PLAN	PROPOSED	EXISTING	LEGEND-PROFILE	PROPOSED
150 WM	WATERMAIN	150 WM	HYDRO	HYDRO	HYDRO	150 WM	WATERMAIN	150 WM
Hydrant	HYDRANT	Hydrant	M.T.S.	M.T.S.	M.T.S.	Hydrant	HYDRANT	Hydrant
Valve	VALVE	Valve	CONCRETE	CONCRETE	CONCRETE	Valve	VALVE	Valve
300 LDS	LAND DRAINAGE SEWER	300 LDS	ASPHALT	ASPHALT	ASPHALT	300 LDS	LAND DRAINAGE SEWER	300 LDS
250 WWS	WASTE WATER SEWER	250 WWS	PLANING	PLANING	PLANING	250 WWS	WASTE WATER SEWER	250 WWS
Manhole	MANHOLE	Manhole	SIDEWALK	SIDEWALK	SIDEWALK	Manhole	MANHOLE	Manhole
Catch Basin	CATCH BASIN	Catch Basin	PAVING STONES	PAVING STONES	PAVING STONES	Catch Basin	CATCH BASIN	Catch Basin
Curb Inlet	CURB INLET	Curb Inlet	PARTIAL DEPTH REPAIR	PARTIAL DEPTH REPAIR	PARTIAL DEPTH REPAIR	Curb Inlet	CURB INLET	Curb Inlet
Junctions	JUNCTIONS	Junctions	PROPERTY LINE	PROPERTY LINE	PROPERTY LINE	Junctions	JUNCTIONS	Junctions
Culvert	CULVERT	Culvert	DRAINAGE ARROW	DRAINAGE ARROW	DRAINAGE ARROW	Culvert	CULVERT	Culvert
100 GAS	GAS	100 GAS	CURB RAMP	CURB RAMP	CURB RAMP	100 GAS	GAS	100 GAS

UNDERGROUND STRUCTURES	B.M. ELEV.	DESIGNED BY	DATE	BY
2		AMC	04/22/14	TJP
1		TJH	04/04/14	TJP
NO.	REVISIONS	DATE	BY	DATE

DESIGNED BY	CHECKED BY	APPROVED BY	HOR. SCALE	VERTICAL	RELEASED FOR CONSTRUCTION
AMC	TJH	DAVID B. WIEBE	1:250	1:10	04/22/2014

ENGINEER'S SEAL  
PROVINCE OF MANITOBA  
REGISTERED PROFESSIONAL ENGINEER  
**T.J. PETERS**  
04/22/2014  
Member 22309

**DILLON CONSULTING**

CONSULTANT PROJECT NUMBER  
**13-8775**

**THE CITY OF WINNIPEG**  
PUBLIC WORKS DEPARTMENT

2014 RESIDENTIAL STREET RENEWAL PROGRAM

PLAN-PROFILE - SOUTH DRIVE - STA. 0+405 TO HOLLY AVENUE

CITY DRAWING NUMBER  
SHEET **08** OF **14**  
CONSULTANT DRAWING NUMBER

G:\CAD\138775\Contract\Plan-Profile-South-Dr.dwg