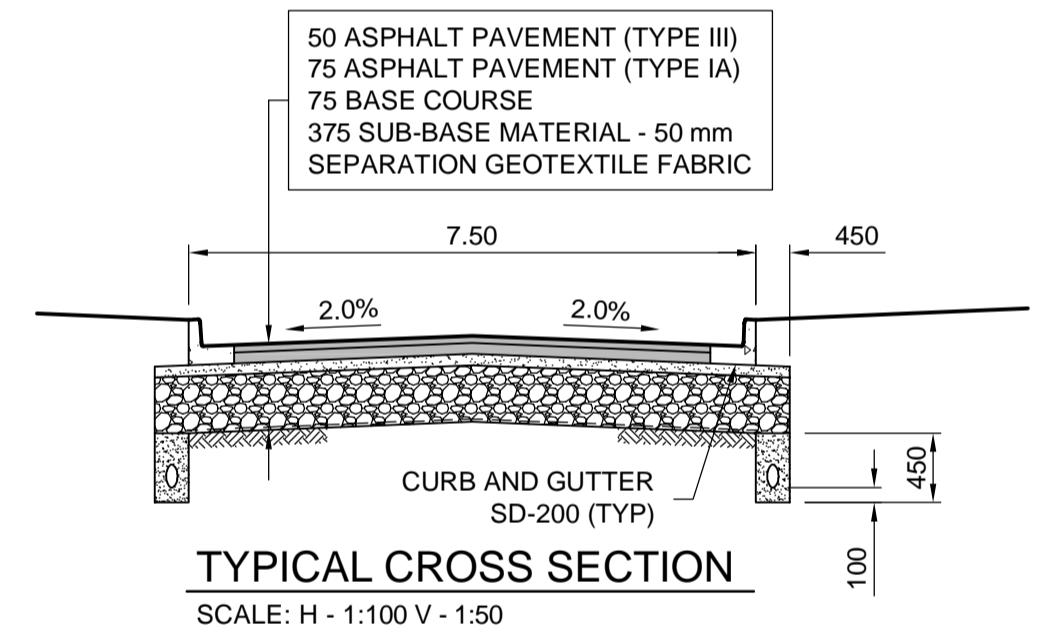
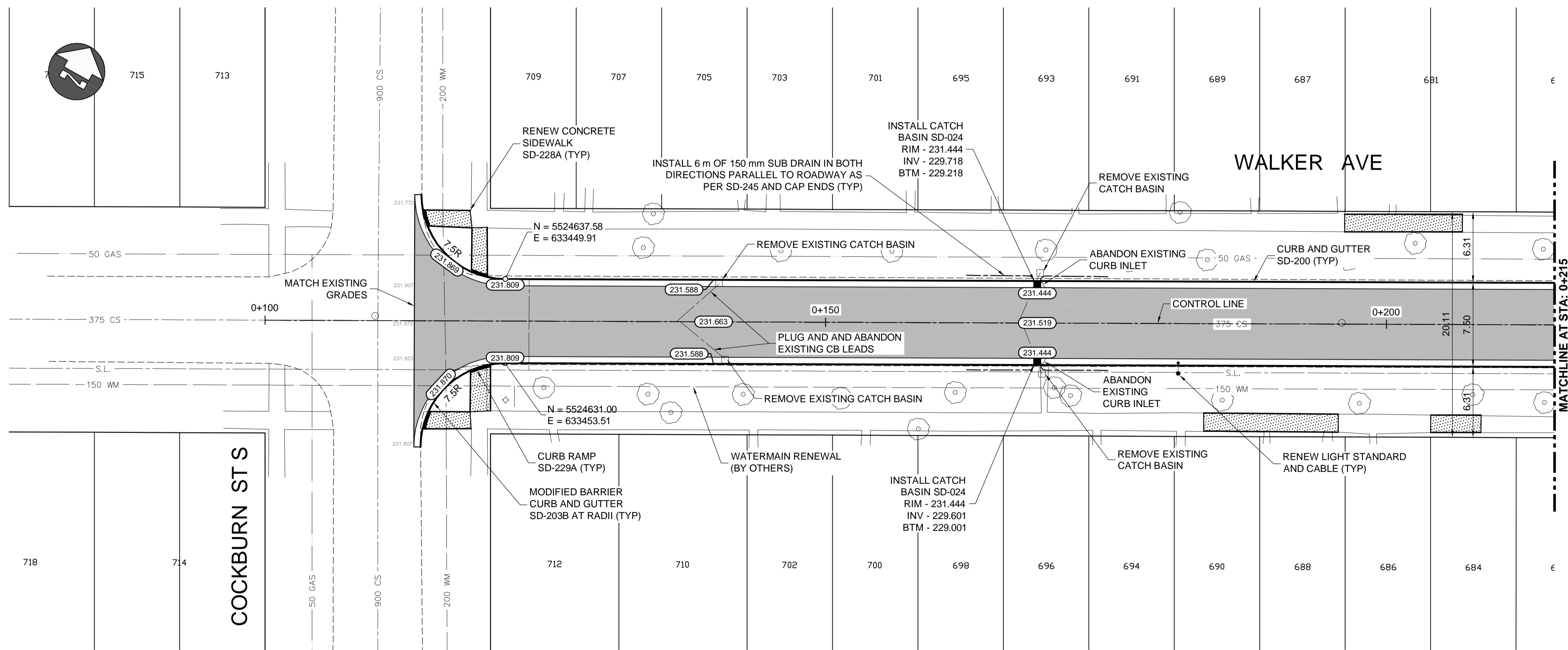
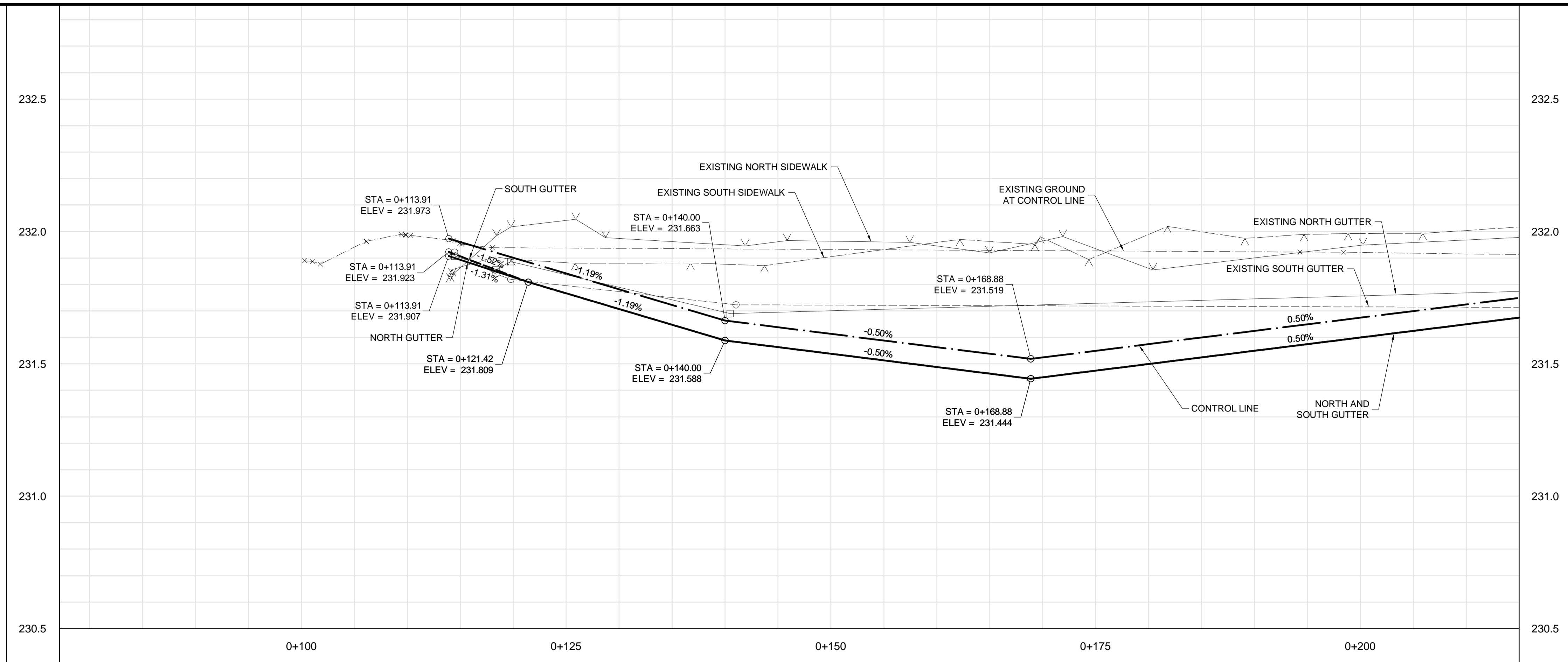


CONSTRUCTION NOTES:

1. ALL DIMENSIONS ARE TO BACK OF CURB.
2. ISOLATE MISCELLANEOUS ITEMS IN NEW CONCRETE WORKS AS PER SD-228C.
3. LEGAL PLAN AND UNDERGROUND INFORMATION FROM CITY OF WINNIPEG LBIS. CONTRACTOR TO VERIFY ALL UNDERGROUNDS IN THE FIELD.
4. CONTRACTOR TO TAKE PRECAUTIONARY STEPS TO AVOID DAMAGE FROM CONSTRUCTION ACTIVITIES TO TREES WITHIN THE LIMITS OF CONSTRUCTION.
5. LOCATION OF EXISTING SERVICES TO BE CONFIRMED IN THE FIELD BY THE CONTRACTOR.
6. CB LEADS TO BE INSTALLED AT MIN. 1.0% SLOPE OR AS DIRECTED BY CONTRACT ADMINISTRATOR.
7. LIMITS OF SIDEWALK RENEWAL TO BE FINALIZED IN THE FIELD BY THE CONTRACT ADMINISTRATOR.
8. LIMITS OF BOULEVARD GRADING TO BE FINALIZED IN THE FIELD BY THE CONTRACT ADMINISTRATOR.



METRIC

WHOLE NUMBERS INDICATE MILLIMETRES
DECIMAL NUMBERS INDICATE METRES

WARNING

IF POWER EQUIPMENT OR EXPLOSIVES ARE TO BE USED FOR EXCAVATION ON THIS PROJECT THE CONTRACTOR MUST:

1. NOTIFY THE GAS COMPANY OF THE PROPOSED LOCATION OF EXCAVATION.
2. TAKE PRECAUTION TO AVOID DAMAGE TO GAS COMPANY INSTALLATIONS SEE PROVINCIAL REGULATION 210/72 FOR DETAILS.
3. OBTAIN EXCAVATION PERMITS PRIOR TO CONSTRUCTION.



Certificate of Authorization
Dillon Consulting Limited (MB)
No. 1789 Date: 04/22/2014



2014 RESIDENTIAL STREET RENEWAL PROGRAM

CITY DRAWING NUMBER

SHEET 09 OF 14

CONSULTANT DRAWING NUMBER

PLAN-PROFILE - WALKER AVENUE - COCKBURN STREET TO STA. 0+215

ENGINEER'S SEAL
PROVINCE OF MANITOBA
REGISTERED PROFESSIONAL ENGINEER
T.J. PETERS
04/22/2014
Member 22309
CONSULTANT PROJECT NUMBER
13-8775

DESIGNED BY AMC
DRAWN BY TJH
CHECKED BY ORIGINAL SIGNED BY TARAN J. PETERS
APPROVED BY ORIGINAL SIGNED BY DAVID B. WIEBE
HOR. SCALE 1:250
VERTICAL 1:10
RELEASED FOR CONSTRUCTION
DATE

NO. REVISIONS
DATE BY DATE
04/22/2014 TJP
04/04/14 TJP

NO.	REVISIONS	DATE	BY
2	ISSUED FOR TENDER	04/22/14	TJP
1	ISSUED FOR REVIEW	04/04/14	TJP

UNDERGROUND STRUCTURES
SUPPLY U/G STRUCTURES DATE
LOCATION OF UNDERGROUND STRUCTURES AS SHOWN ARE BASED ON THE BEST INFORMATION AVAILABLE BUT NO GUARANTEE IS GIVEN THAT ALL EXISTING UTILITIES ARE SHOWN OR THAT THE GIVEN LOCATIONS ARE EXACT. CONFIRMATION OF EXISTENCE AND EXACT LOCATION OF ALL SERVICES MUST BE OBTAINED FROM THE INDIVIDUAL UTILITIES BEFORE PROCEEDING WITH CONSTRUCTION.

150 WM	150 WM	HYDRO	HYDRO	HYDRO	150 WM	WATERMAIN	150 WM
WATERMAIN	HYDRANT	VALVE	LAND DRAINAGE SEWER	WASTE WATER SEWER	MANHOLE	CATCH BASIN	CURB INLET
JUNCTIONS	CULVERT	100 GAS	EXISTING	LEGEND-PLAN	PROPOSED	EXISTING	LEGEND-PLAN
PROPOSED	EXISTING	LEGEND-PLAN	PROPOSED	EXISTING	LEGEND-PROFILE	PROPOSED	