

DOOR SCHEDULE													
NO.	DOOR							FRAME				RATING	REMARK
	WIDTH x HEIGHT x THICK	TYPE	MATL	CORE	FIN	CLR	HDWRE	TYPE	MATL	FIN	CLR		
D-001	36" x 84" x 1.75"	A	STL	HM	PT	1	2	1	STL	PT	TO MATCH DOOR	1 HOUR	-
D-002	36" x 84" x 1.75"	A	STL	HM	PT	1	4	1	STL	PT	TO MATCH DOOR	1 HOUR	-
D-003	36" x 84" x 1.75"	A	STL	HM	PT	1	2	1	STL	PT	TO MATCH DOOR	1 HOUR	-
D-004	36" x 84" x 1.75"	A	STL	HM	PT	1	1	1	STL	PT	TO MATCH DOOR	-	-
D-005	36" x 84" x 1.75"	A	STL	HM	PT	1	2	1	STL	PT	TO MATCH DOOR	1 HOUR	-
D-006	36" x 84" x 1.75"	A	STL	HM	PT	1	2	1	STL	PT	TO MATCH DOOR	-	-
D-007A	36" x 84" x 1.75"	A	STL	HM	PT	1	2	1	STL	PT	TO MATCH DOOR	-	-
D-007B	36" x 84" x 1.75"	A	STL	HM	PT	1	2	1	STL	PT	TO MATCH DOOR	-	-
D-007C	36" x 84" x 1.75"	A	STL	HM	PT	1	2	1	STL	PT	TO MATCH DOOR	-	-
D-008	36" x 84" x 1.75"	A	STL	HM	PT	1	4	2	STL	PT	TO MATCH DOOR	1 HOUR	C/W SIDELIGHT
D-009	36" x 84" x 1.75"	A	STL	HM	PT	1	2	1	STL	PT	TO MATCH DOOR	1 HOUR	-
D-010	36" x 84" x 1.75"	A	STL	HM	PT	1	2	1	STL	PT	TO MATCH DOOR	1 HOUR	-
D-011	36" x 84" x 1.75"	A	STL	HM	PT	1	2	1	STL	PT	TO MATCH DOOR	1 HOUR	-

ROOM FINISH SCHEDULE																								
NO.	ROOM NAME	FLOOR			BASE			NORTH WALL			SOUTH WALL			EAST WALL			WEST WALL			CEILING			REMARKS	
		MATL	FIN	C	MATL	FIN	C	MATL	FIN	C	MATL	FIN	C	MATL	FIN	C	MATL	FIN	C	HT	MATL	FIN		C
001	AIR HANDLING ROOM	CONC	HARDNER	GREY	RCB	-	-	-	CONC	-	-	CONC	-	-	CONC	-	-	-	-	-	-	-	-	-
002	MAIN CORRIDOR	CONC	VT	VT1	RCB	-	-	-	GWB	PT	PT2	GWB	PT	PT2	GWB	PT	PT2	GWB	PT	PT2	-	-	-	-
003	STORAGE ROOM	CONC	VT	VT1	RCB	-	-	-	GWB	PT	PT2	CONC	-	-	GWB	PT	PT2	GWB	PT	PT2	-	-	-	-
004	WASHROOM	CONC	VSF	VSF1	RCB	-	-	-	GWB	PT	PT2	GWB	PT	PT2	CONC	-	-	GWB	PT	PT2	-	-	-	-
005	MECHANICAL ROOM	CONC	HARDNER	GREY	RCB	-	-	-	GWB	PT	PT2	GWB	PT	PT2	CONC	-	-	GWB	PT	PT2	-	-	-	-
006	MEETING ROOM	CONC	VT	VT1	RCB	-	-	-	GWB	PT	PT2	GWB	PT	PT2	GWB	PT	PT2	GWB	PT	PT2	-	-	-	-
007A	DAYCARE	CONC	CPT	CPT1	RCB	-	-	-	WD	-	-	WD	-	-	WD	-	-	WD	-	-	-	-	-	EXISTING CEILING
007B	DAYCARE	CONC	VT	VT1	RCB	-	-	-	WD	-	-	WD	-	-	WD	-	-	WD	-	-	-	-	-	EXISTING CEILING
008	ACCESS CORRIDOR	CONC	VT	VT1	RCB	-	-	-	GWB	PT	PT2	GWB	PT	PT2	GWB	PT	PT2	GWB	PT	PT2	-	-	-	-
009	OFFICE	CONC	HARDNER	GREY	RCB	-	-	-	CONC	-	-	CONC	-	-	GWB	PT	PT2	GWB	PT	PT2	-	-	-	-
010	ELECTRICAL ROOM	CONC	HARDNER	GREY	RCB	-	-	-	CONC	-	-	CONC	-	-	GWB	PT	PT2	GWB	PT	PT2	-	-	-	-
011	STORAGE ROOM	CONC	HARDNER	GREY	RCB	-	-	-	CONC	-	-	GWB	PT	PT2	GWB	PT	PT2	GWB	PT	PT2	-	-	-	-

HARDWARE SCHEDULE				
HARDWARE GROUP 1				
3	HINGES	3CB1 4.5x4	652	IVES
1	DEADLOCK	B660P	626	SCHLAGE
1	DOOR PULL	112	32D	RW
1	PUSH PLATE	70C	32D	RW
1	DOOR CLOSER	4040T	689	LCN
1	KICK PLATE	K1050	32D	RW
1	DOOR STOP	406	26D	RW
HARDWARE GROUP 2				
3	HINGES	3CB1 4.5x4	652	IVES
1	PRIVACY SET	D40S ORB	626	SCHLAGE
1	DOOR CLOSER	4040T	689	LCN
1	KICK PLATE	K1050	32D	RW
1	DOOR STOP	406	26D	RW
HARDWARE GROUP 3				
3	HINGES	3CB1 4.5x4	630	IVES
1	PASSAGE SET	ND10S RHO	626	SCHLAGE
1	DOOR CLOSER	1461 SCUSH	689	LCN
HARDWARE GROUP 4				
3	HINGES	3CB1 4.5x4	630	IVES
1	EXIT DEVICE	98-996L TRM	628	VON DUP
1	DOOR CLOSER	4040T	689	LCN
1	KICK PLATE	K1050	32D	RW
1	DOOR STOP	406	32D	RW

- GENERAL NOTES:**
- ALL ELECTRICAL AND MECHANICAL, INCLUDING LIGHTING, RECEPTACLES, SWITCHES ARE TO BE PRESERVED AND REUSED OR REPLACED TO MATCH EXISTING QUANTITIES AND LOCATIONS. ALL EXISTING UTILITY LINES, DRAINS, WEEP TILE, ETC., ARE TO BE REPLACED WITH NEW.
  - MAINTAIN FIRE RATING AT PENETRATIONS THROUGH ALL FIRE RATED WALLS.
  - REINSTALL AIR TRANSFER GRILLES AND FIRE EXTINGUISHERS IN ORIGINAL LOCATIONS.

REV	DESCRIPTION	DWN	APP	REV DATE	
7					
6					
5					
4	RE-ISSUED FOR TENDER		VCV	KRD	JAN 09 2014
3	ISSUED WITH ADDENDUM		VCV	KRD	JUL 02 2013
2	ISSUED FOR TENDER		VCV	KRD	JUN 18 2013
1	ISSUED FOR 100% CLIENT REVIEW		VCV	KRD	MAY 16 2013
0	ISSUED FOR CLIENT REVIEW		VCV	KRD	APR 26 2013

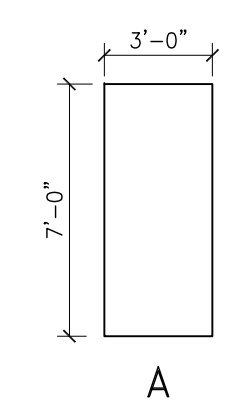
**WALL TYPES:**

- W1 NEW 4" STEEL STUDS @ 16" O/C  
NEW R20 BATT INSULATION  
NEW 6 MIL POLY VAPOUR BARRIER  
NEW 5/8" DRYWALL
- W2 NEW 5/8" DRYWALL  
NEW 4" STEEL STUDS @ 16" O/C  
NEW R20 BATT INSULATION  
NEW 5/8" DRYWALL
- W3 EXISTING STUD WALL WITH PINE
- W4 NEW 5/8" TYPE "X" DRYWALL  
NEW 4" STEEL STUDS @ 16" O/C  
NEW 65mm THICK ABSORPTIVE MATERIAL  
NEW 5/8" TYPE "X" DRYWALL  
(1 HOUR FIRE RATED NBCC S1b)
- W5 NEW 6" STEEL STUDS @ 16 O/C  
NEW 5/8" DRYWALL
- W6 NEW 5/8" TYPE "X" DRYWALL  
NEW 3 1/2" STEEL STUDS @ 12" O/C  
NEW 65mm THICK ABSORPTIVE MATERIAL  
NEW 5/8" TYPE "X" DRYWALL  
(1 HOUR FIRE RATED NBCC S1b)

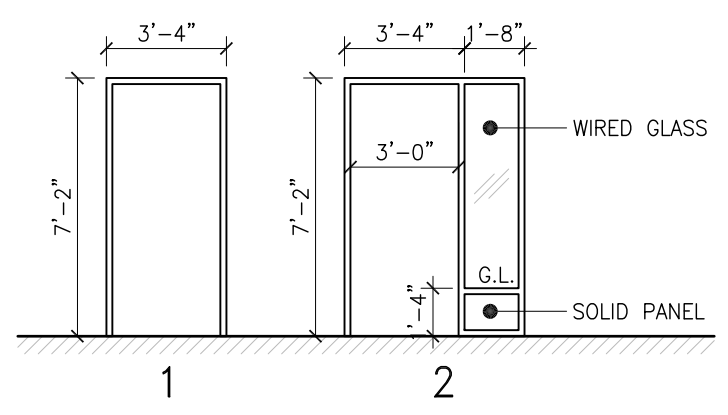
**CONSTRUCTION KEYNOTES:**

- K1 REINSTALL EXISTING PINE CLADDING. THE WOOD BOARDS ARE TREATED WITH FIRE PROTECTANT. THIS FINISH NEEDS TO BE RETAINED.
- K2 REINSTALL EXISTING FOLDING PARTITION.
- K3 NEW KITCHENETTE. REFER TO DETAILS ON B500.
- K4 NEW FLOORING. REFER TO ROOM FINISH SCHEDULE
- K5 NEW FLOOR DRAIN, REPLACE TO MATCH EXISTING, INCLUDING EPOXY COATED CAST IRON...
- K6 REINSTALL EXISTING PARTITION WALL.
- K7 REINSTALL MECHANICAL EQUIPMENT, PLUMBING, PUMPS, ELECTRICAL, ETC.
- K8 NEW CEILING. REFER TO ROOM FINISH SCHEDULE.
- K9 NEW 1/2" ASPHALT IMPREGATED FIBER BOARD JOINT, BETWEEN NEW SLAB AND EXISTING.
- K10 NEW CONCRETE SUMP PIT, C/W CHECKER PLATE COVER. REFER TO SECTION 3/S500.
- K11 RE-INSTALL EXISTING OPEN SHELVING.
- K12 BELOW EXISTING PANELING/DRYWALL, CLOSE GAP BETWEEN WOOD PANELING AND NEW CEMENT FLOOR WITH BLOCKING. COVER BLOCKING WITH ROUNDED RUBBER BASE.

**DOOR TYPES**



**FRAME TYPES**

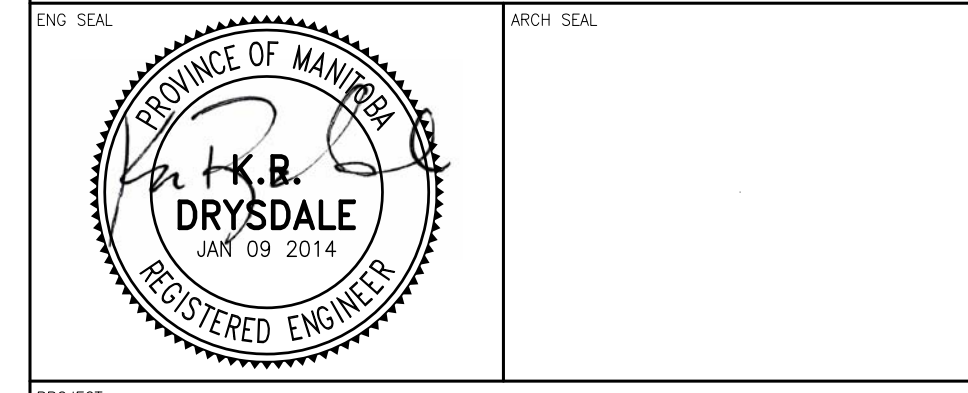


**A BASEMENT NEW FLOOR PLAN**

- 1/4" = 1' - 0"
- SET ELEVATION TOP OF BASEMENT SLAB = 7 1/2" BELOW BOTTOM OF EXISTING LAST STAIR TREAD
- ELEVATION = 0.00



605-287 Broadway, Winnipeg, Manitoba Canada R3C 0R9  
Phone 204.944.1555 Fax 204.944.1444  
www.accutech.ca



**CITY OF WINNIPEG**  
**SIR JOHN FRANKLIN CC BASEMENT STRUCTURAL REPAIRS**

PROJECT			
BASEMENT NEW FLOOR PLAN			
BID OPPORTUNITY No. 32-2014			
DRAWN BY	CHECKED BY	DATE	SHEET NO.
VCV	DBR	JAN 09 2014	<b>B102</b>
DESIGNED BY	CHECKED BY	SCALE	REVISION NO.
KRD	KRD	AS NOTED	4

