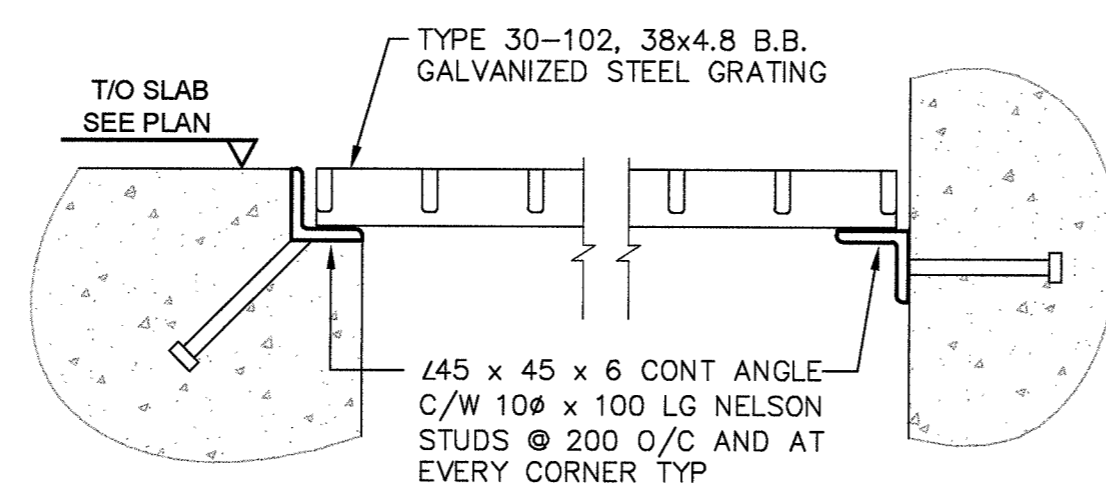
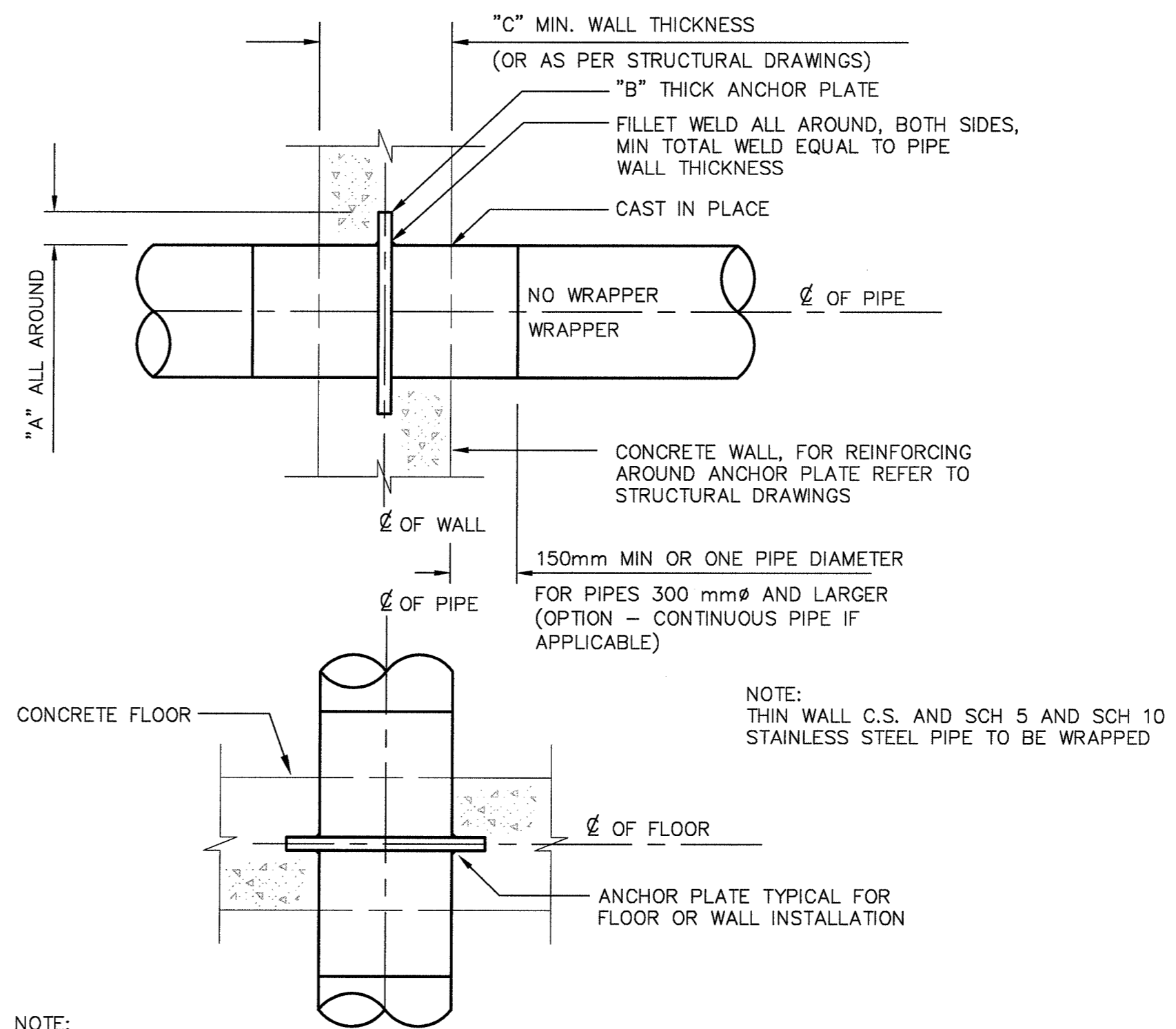


1 DETAIL 1:20
STEEL LADDER



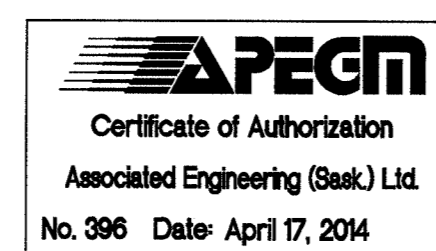
2 DETAIL N.T.S.
STEEL GRATING



NOTE:
ANCHOR RING CHART INFORMATION BASED
AWWA M-11 FIGURE 13-19 AND TABLE 13-3
BEARING LOADS FOR ANCHOR RINGS IN CONCRETE
IS BASED ON MAXIMUM PIPE PRESSURE 1724 kPa
(250 PSI)

PIPE SIZE	50 TO 200	250 & 300	350 & 450	500 & 600	750 & 900	1050 & LARGER
A	25	40	50	76	102	CUSTOM DESIGN FOR EACH APPLICATION
B	10	10	13	15	22	
C	200	300	350	400	AS PER DESIGN	
PERMISSIBLE LOAD ON RING	414 kg	904 kg	1425 kg	3200 kg	7214 kg	

3 DETAIL N.T.S.
UTILIZING NEW STRUCTURAL WALL/FLOOR PIPE ANCHOR (CAST IN PLACE)



LOCATION APPROVED UNDERGROUND STRUCTURES

SUPV. U/G STRUCTURES COMMITTEE DATE

NOTE:
LOCATION OF UNDERGROUND STRUCTURES AS SHOWN ARE BASED ON THE BEST INFORMATION AVAILABLE BUT NO GUARANTEE IS GIVEN THAT ALL EXISTING UTILITIES ARE SHOWN OR THAT THE GIVEN LOCATIONS ARE EXACT. CONFIRMATION OF EXISTENCE AND EXACT LOCATION OF ALL UTILITIES MUST BE OBTAINED FROM THE INDIVIDUAL UTILITIES BEFORE PROCEEDING WITH CONSTRUCTION.

CONSTRUCTION COMPLETION DATE: YYYY MM DD	
A	ISSUED FOR CLIENT REVIEW 14-MAR-14 MJ
O	ISSUED FOR TENDER 14-APR-17 MJ
NO.	REVISIONS DATE BY

DESIGNED BY: KD
CHECKED BY: TA
DRAWN BY: LP
APPROVED BY: JL
SCALE: HORIZONTAL AS SHOWN, VERTICAL AS SHOWN
DATE: 2014 04 16

ENGINEER'S SEAL: T.S. ALEXANDER, 34155, PROFESSIONAL ENGINEER, PROVINCE OF MANITOBA
CONSULTANT DRAWING NUMBER: 20134376

THE CITY OF WINNIPEG
WATER AND WASTE DEPARTMENT
ENGINEERING DIVISION
NORTH KILDONAN FEEDERMAIN VALVE CHAMBER DETAILS
DETAIL SHEET 2
SHEET 8 OF 8
CITY DRAWING NUMBER: D-13514