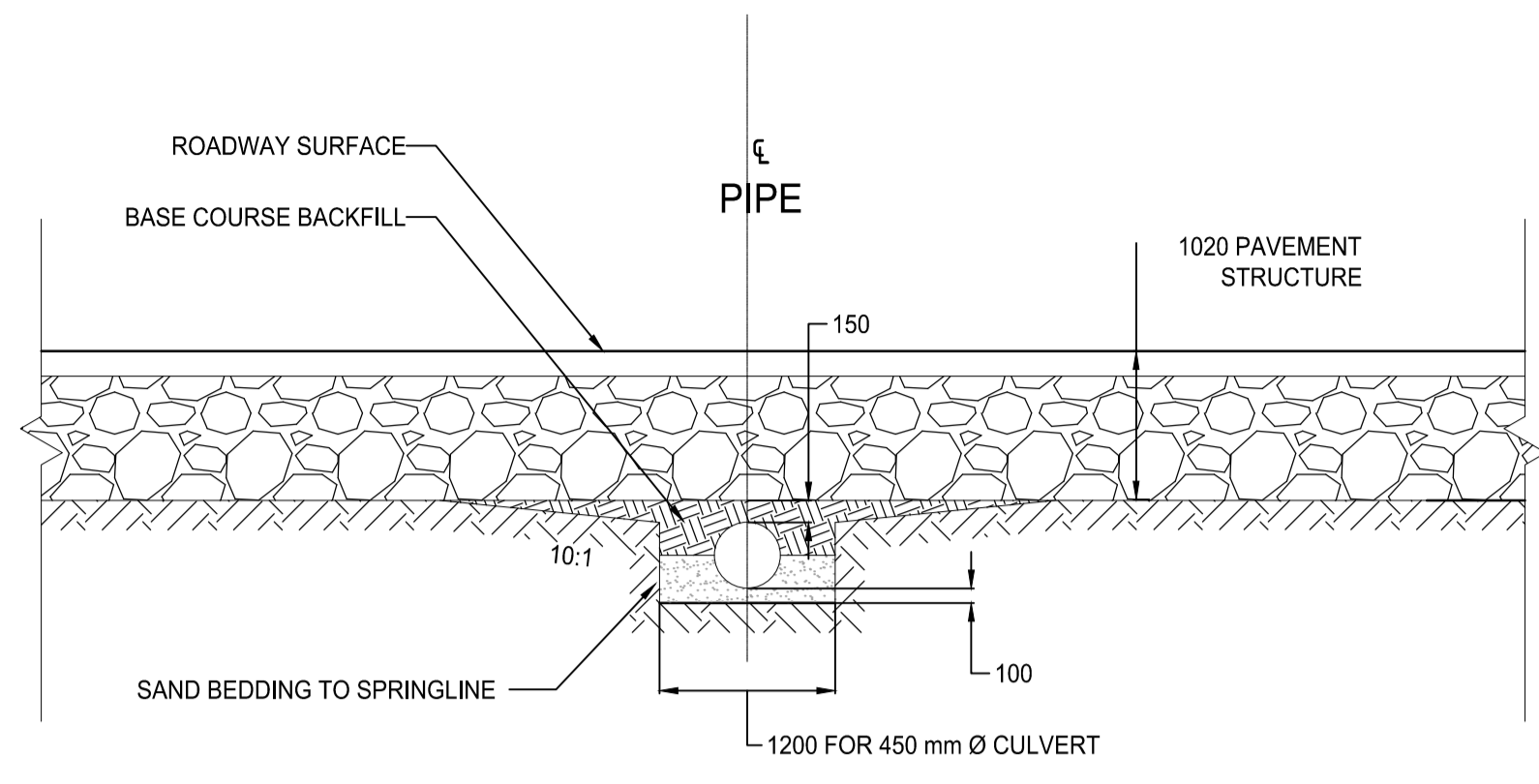
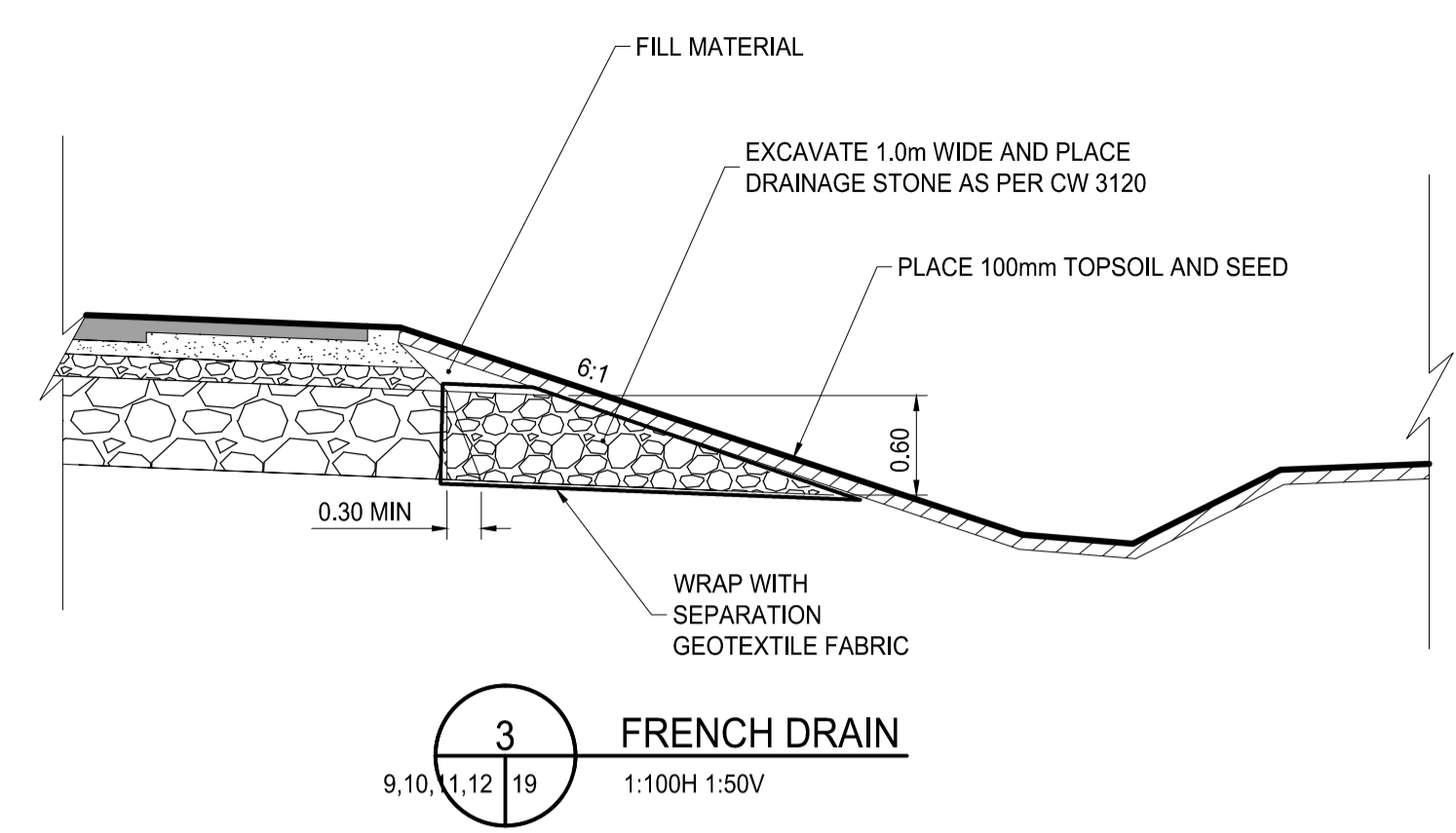


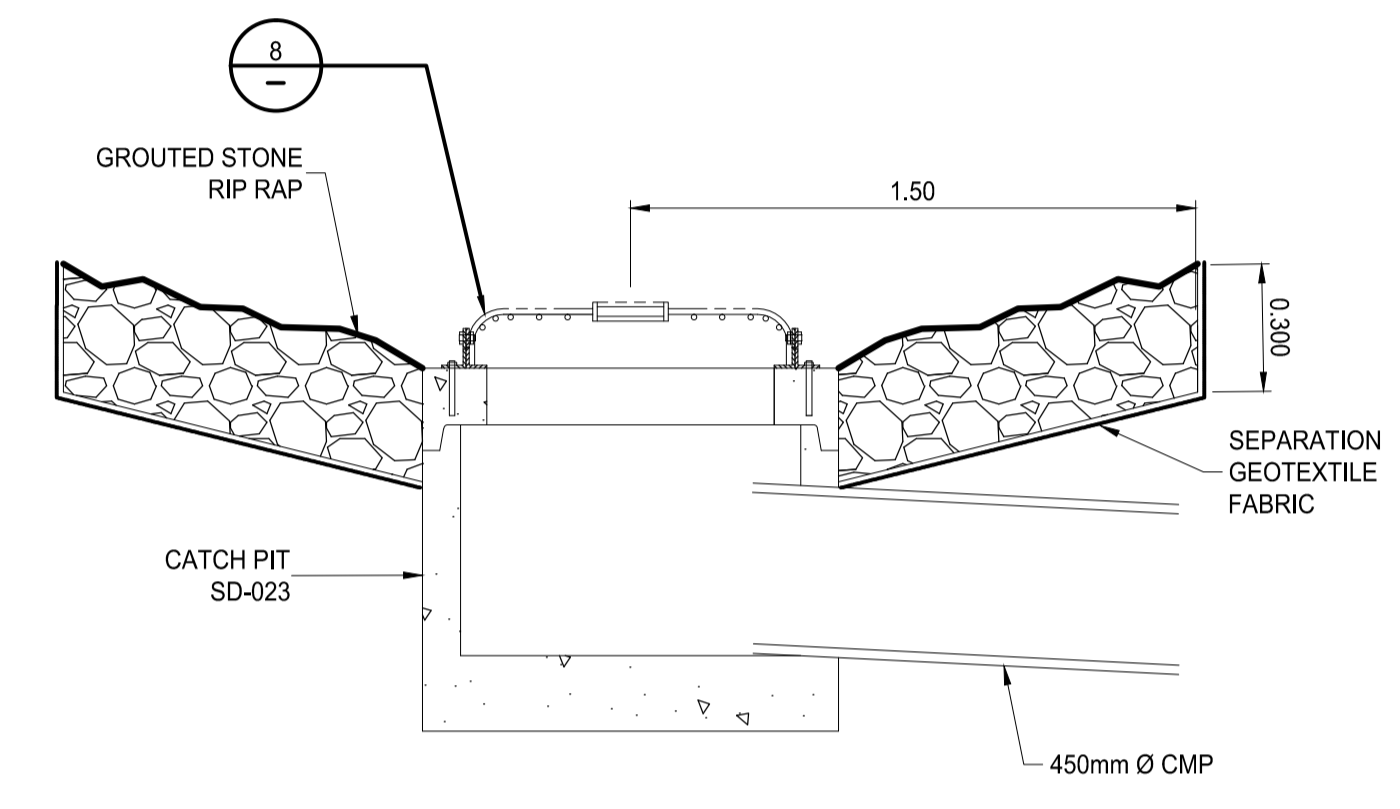
1 GROUTED STONE RIPRAP AT CATCH PIT
1:50



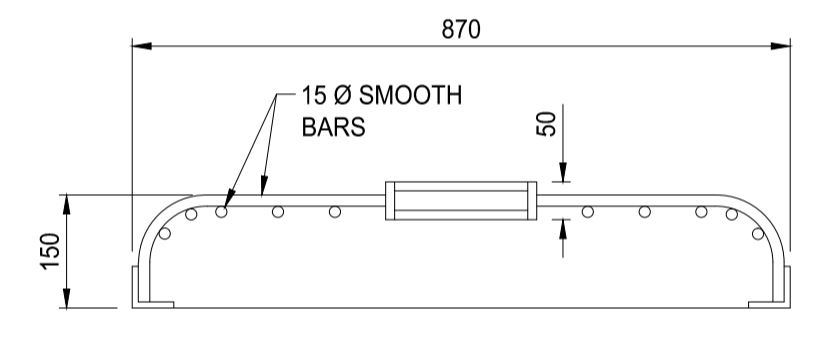
2 CULVERT FROST TREATMENT
1:50



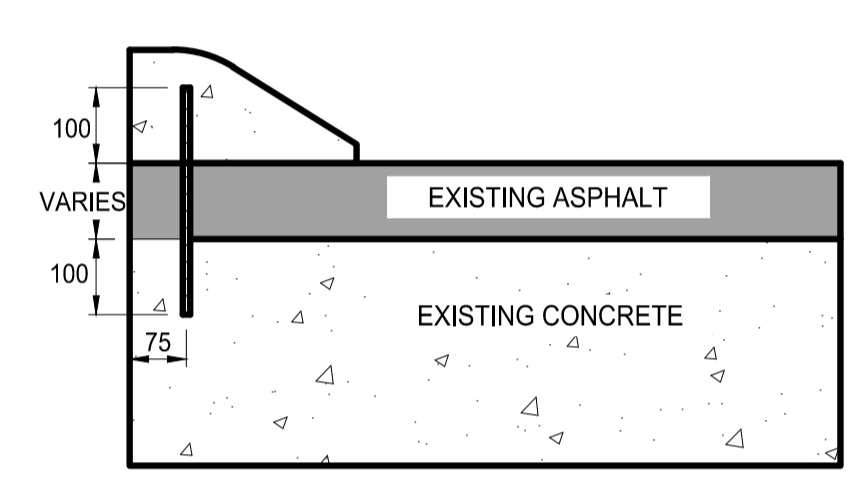
3 FRENCH DRAIN
1:100H 1:50V



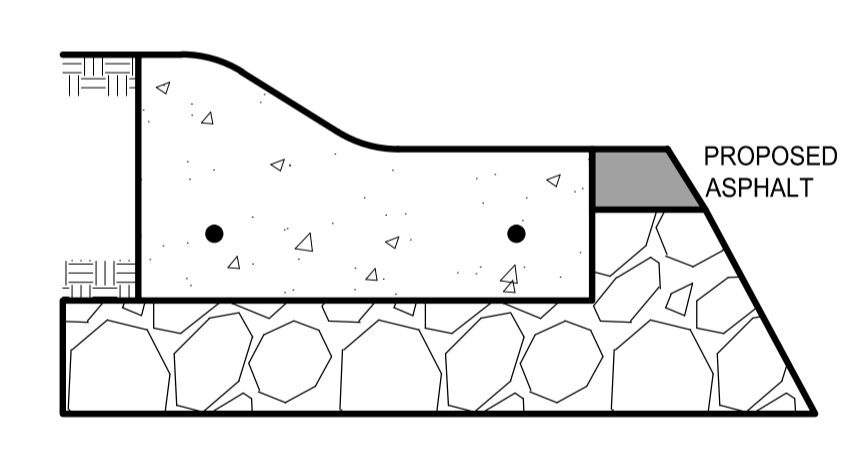
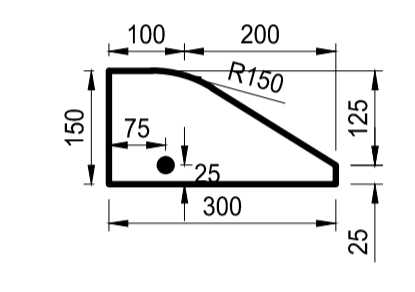
A CATCH PIT SECTION
1:20



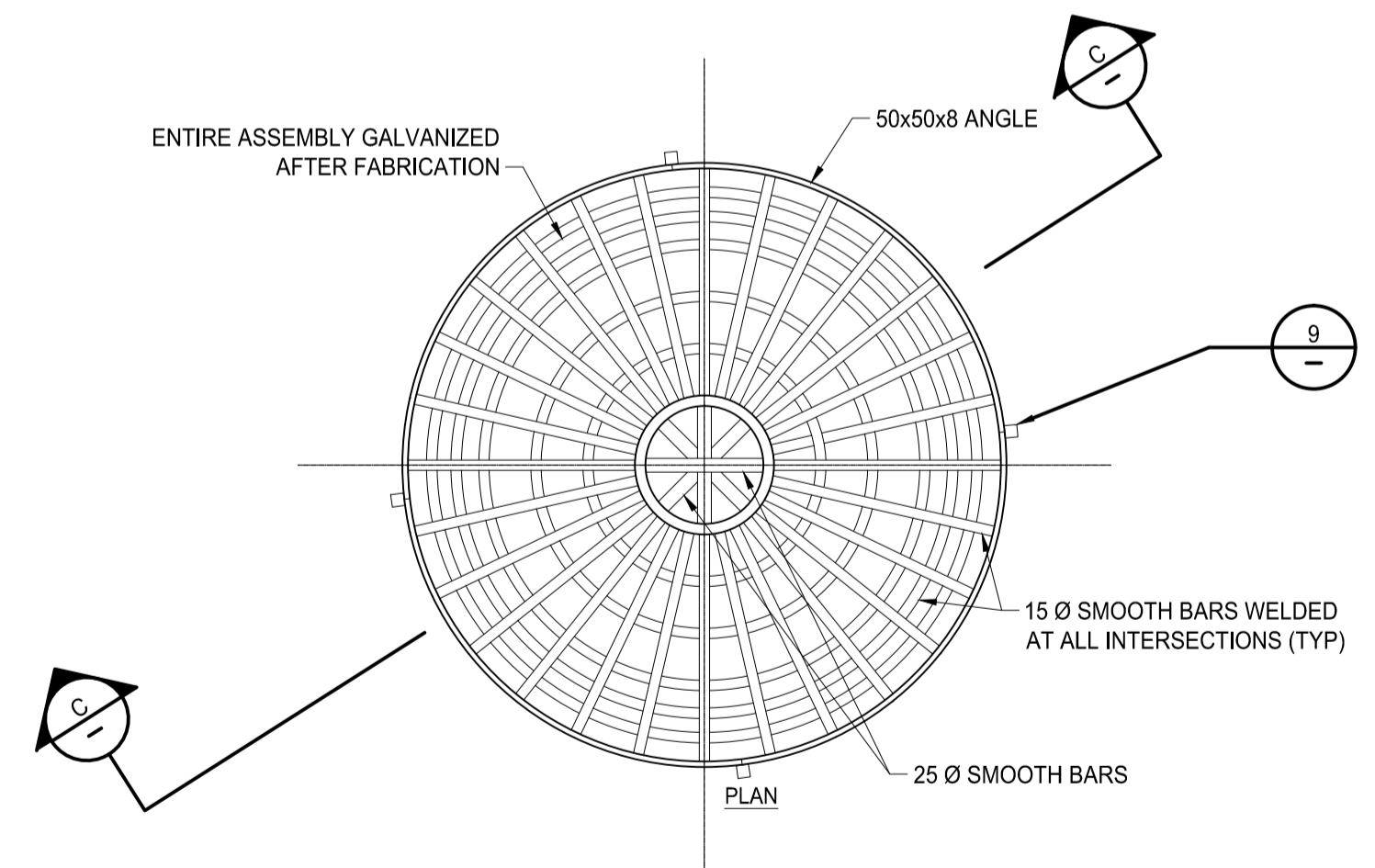
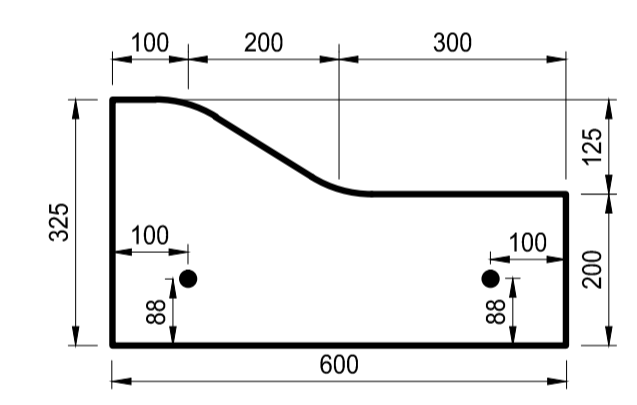
C DITCH INLET GRATE COVER - SECTION
1:10



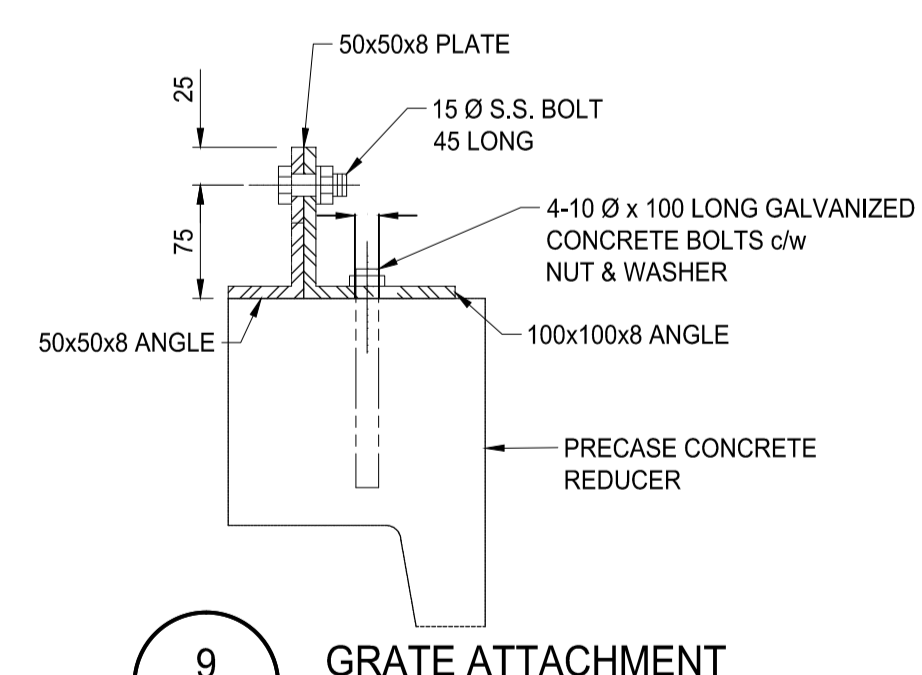
4 SEMI-MOUNTABLE CURB "TYPE A"
1:10



5 SEMI-MOUNTABLE CURB & GUTTER "TYPE C"
1:10



8 DITCH INLET GRATE COVER
1:10



9 GRATE ATTACHMENT
1:5

METRIC

WHOLE NUMBERS INDICATE MILLIMETRES
DECIMALIZED NUMBERS INDICATE METRES

WARNING
IF POWER EQUIPMENT OR EXPLOSIVES ARE TO BE USED FOR EXCAVATION ON THIS PROJECT THE CONTRACTOR MUST:
1. NOTIFY THE GAS COMPANY OF THE PROPOSED LOCATION OF EXCAVATION.
2. TAKE PRECAUTION TO AVOID DAMAGE TO GAS COMPANY INSTALLATIONS SEE PROVINCIAL REGULATION 210/72 FOR DETAILS.
3. OBTAIN EXCAVATION PERMITS PRIOR TO CONSTRUCTION.



V:\1137\active\113705751.drawing_404_working\sheet_files_perimeter\05751-c-501-xxx.dwg

150 WM	WATERMAIN	150 WM	MTS	M.T.S.	MTS	150 mm W.M.	WATERMAIN	150 mm W.M.	UNDERGROUND STRUCTURES	B.M. ELEV.	DESIGNED BY S.B.C.	DESIGN TEAM	ENGINEER'S SEAL	 THE CITY OF WINNIPEG PUBLIC WORKS DEPARTMENT	WWARP PART 3 - CONTRACT 4 KENASTON / WAVERLEY	CITY DRAWING NUMBER P-3355-19
300 LDS	LAND DRAINAGE SEWER	300 LDS		CONCRETE ASPHALT	300 mm L.D.S.	LAND DRAINAGE SEWER	300 mm L.D.S.	SUPPLY, U/G STRUCTURES COMMITTEE DATE NOTE: LOCATION OF UNDERGROUND STRUCTURES AS SHOWN ARE BASED ON THE BEST INFORMATION AVAILABLE, BUT NO GUARANTEE IS GIVEN THAT ALL EXISTING UTILITIES ARE SHOWN OR THAT THE GIVEN LOCATIONS ARE EXACT. CONFIRMATION OF EXISTENCE AND EXACT LOCATION OF ALL SERVICES MUST BE OBTAINED FROM THE INDIVIDUAL UTILITIES BEFORE PROCEEDING WITH CONSTRUCTION.								
250 WWS	WASTE WATER SEWER	250 WWS		ASPHALT REMOVAL SIDEWALK	250 mm W.W.S.	WASTE WATER SEWER	250 mm W.W.S.	CHECKED BY S.B.C. / R.K.H.	HOR. SCALE AS NOTED VERTICAL AS NOTED	CONSULTANT PROJECT NUMBER 113705751	CONSULTANT DRAWING NUMBER C-501					
○	MANHOLE	●		PAVING STONES		○ PROFILE		APPROVED BY S.B.C.				DATE 2014/04/17	DATE 2014/04/17			
□	CATCH BASIN	■		PROPERTY LINE		□ NORTH/WEST GUTTER		NO. REVISIONS DATE BY	DATE 2014/04/17	DATE 2014/04/17						
⊕	TEST HOLES	⊕		SURVEY BAR		□ NORTH/WEST T/LANE		DATE 2014/04/17			DATE 2014/04/17	DATE 2014/04/17				
○	CULVERT	○		CURB RAMP		□ SOUTH/EAST T/LANE		DATE 2014/04/17	DATE 2014/04/17	DATE 2014/04/17						
100 GAS	GAS	100 GAS		DITCH				DATE 2014/04/17			DATE 2014/04/17	DATE 2014/04/17				
HYDRO	HYDRO	HYDRO		SWALE				DATE 2014/04/17	DATE 2014/04/17	DATE 2014/04/17						
EXISTING	LEGEND-PLAN	PROPOSED	EXISTING	LEGEND-PLAN	PROPOSED	EXISTING	LEGEND-PROFILE	PROPOSED			DATE	DATE				