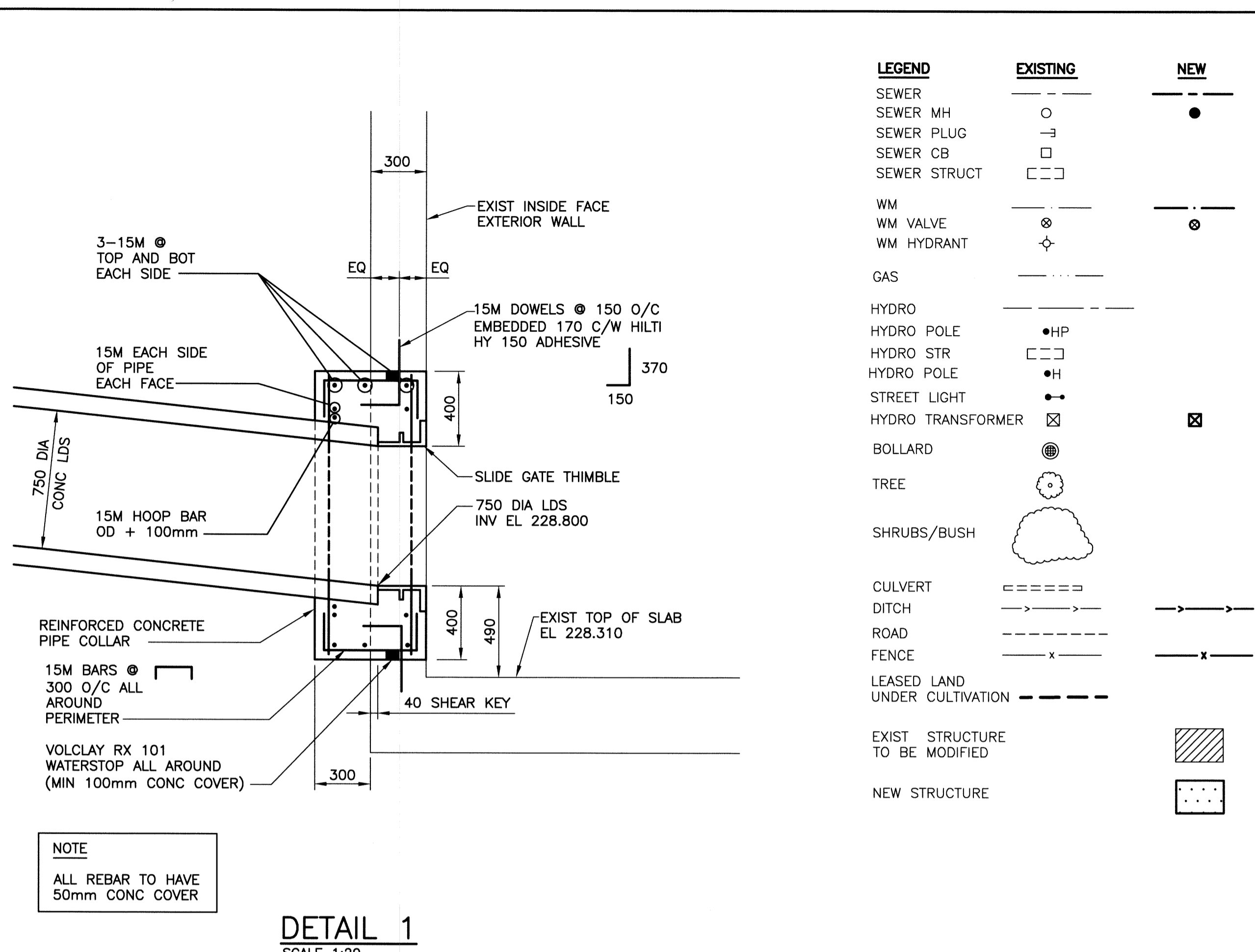
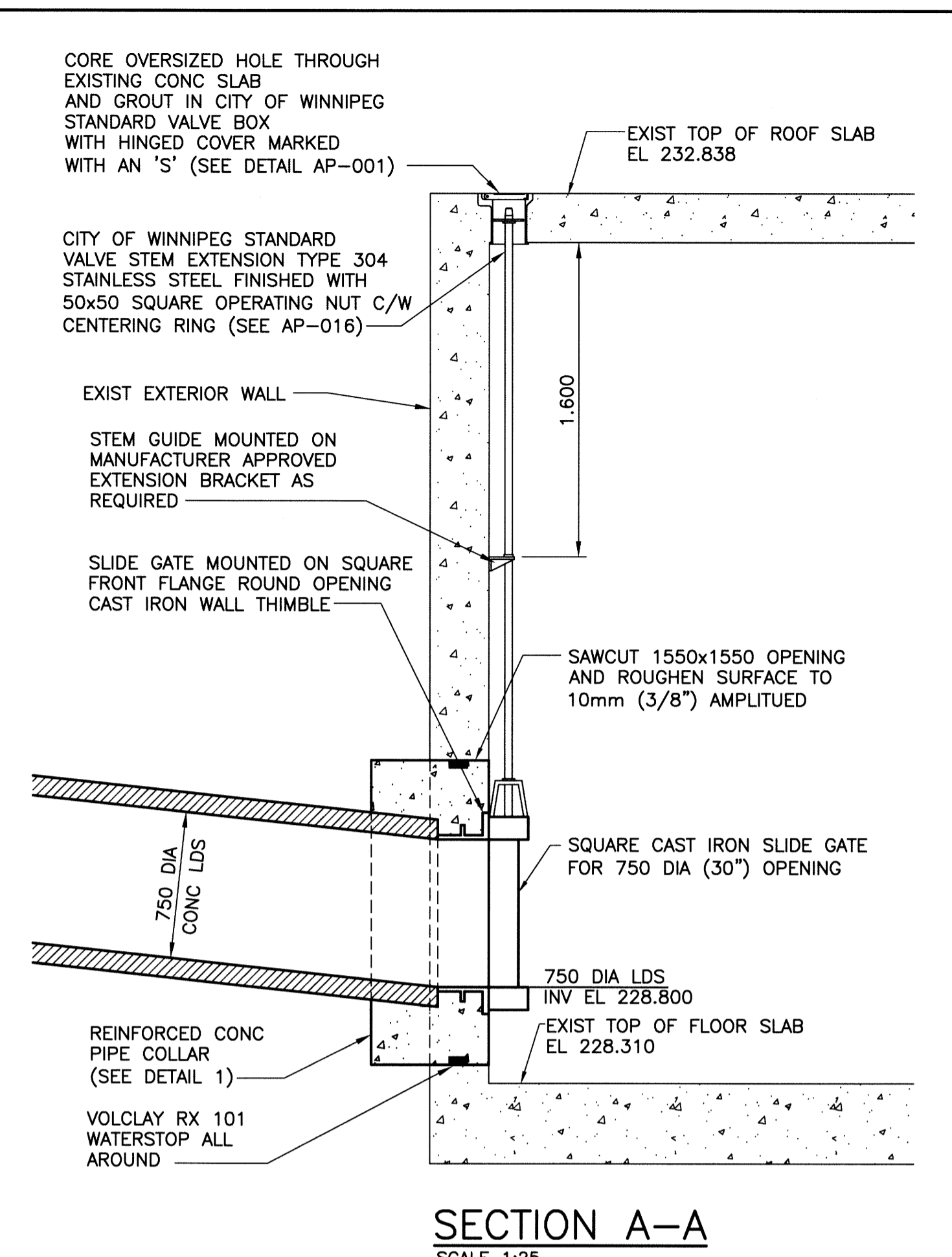
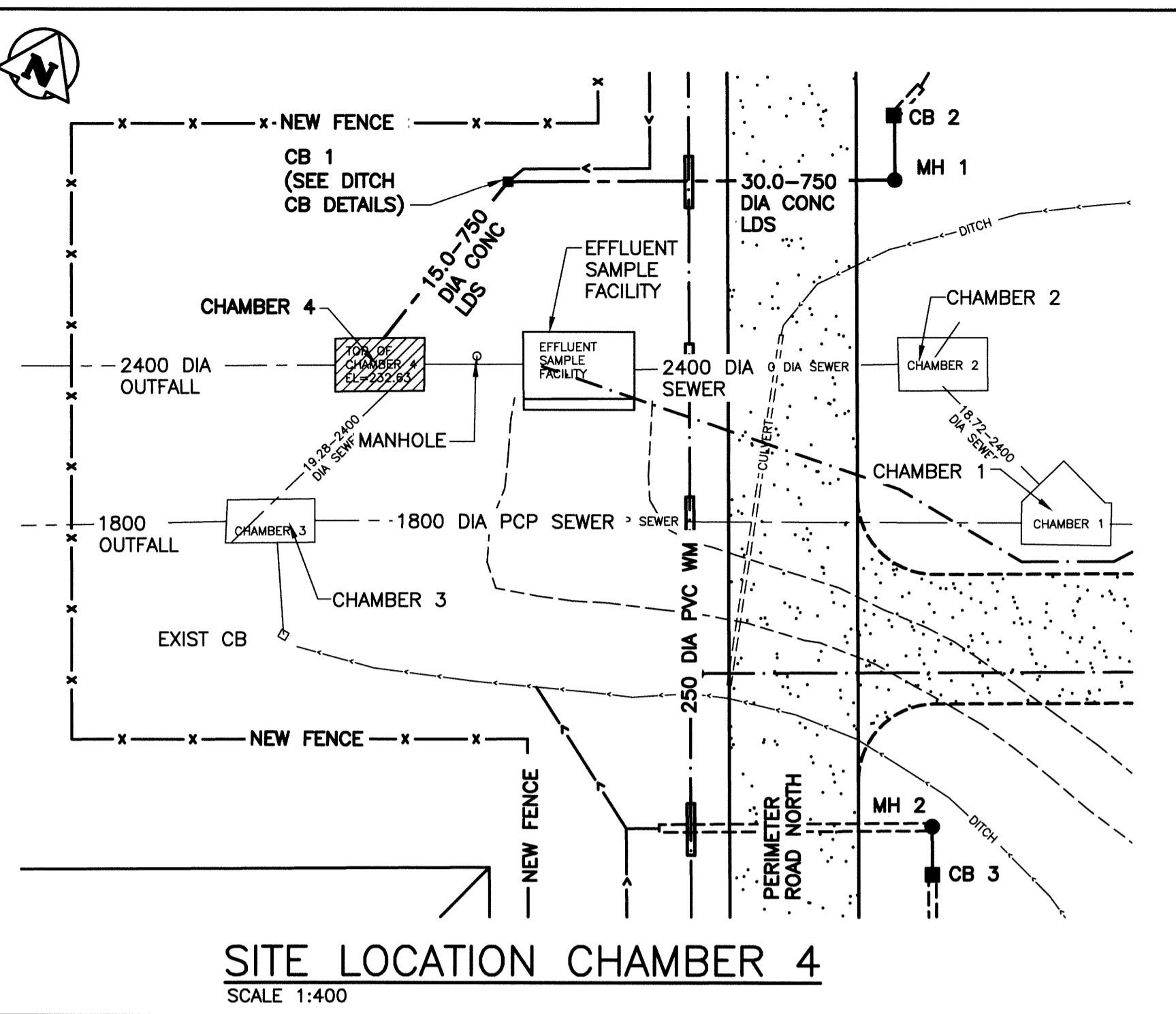
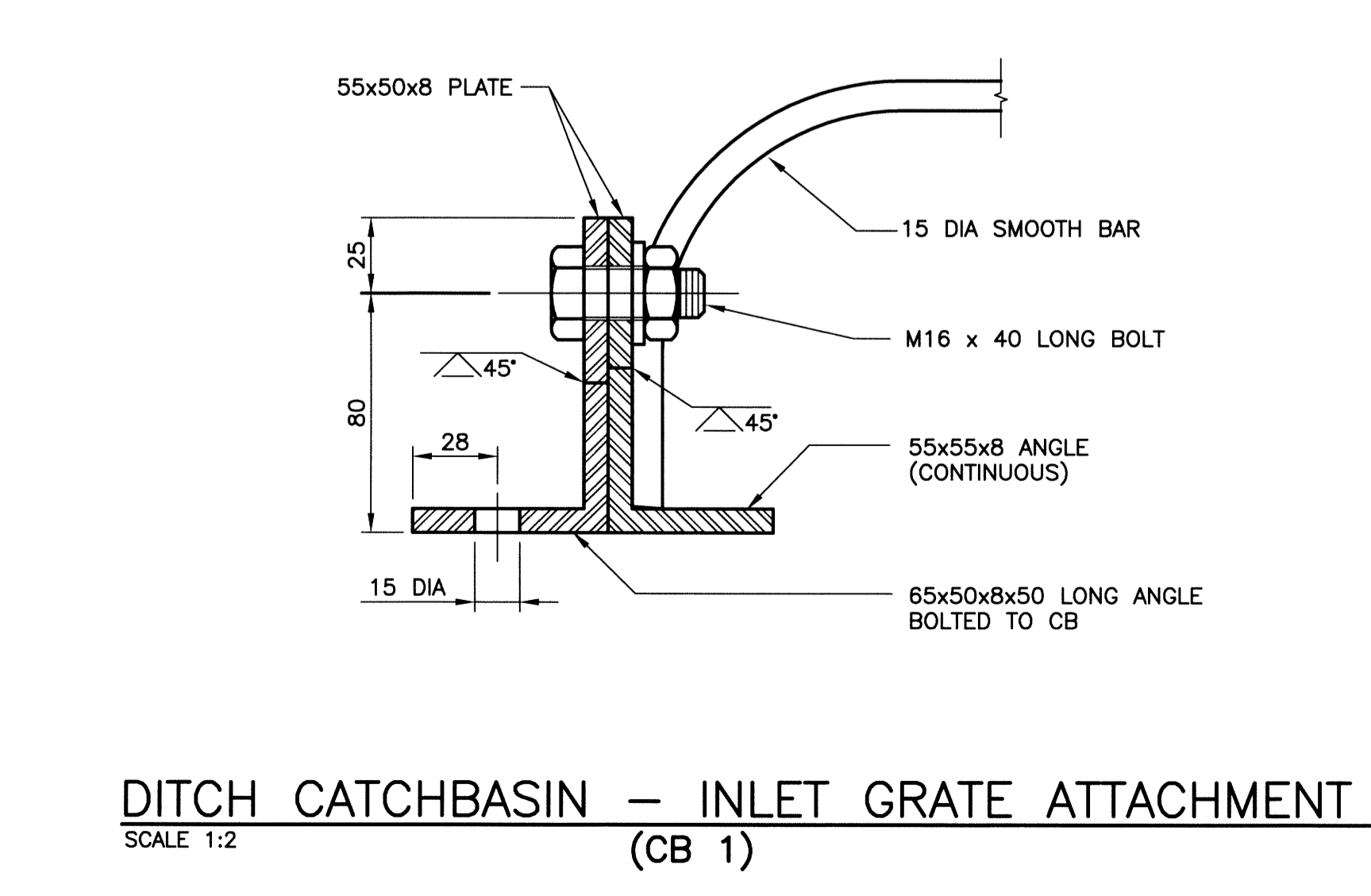
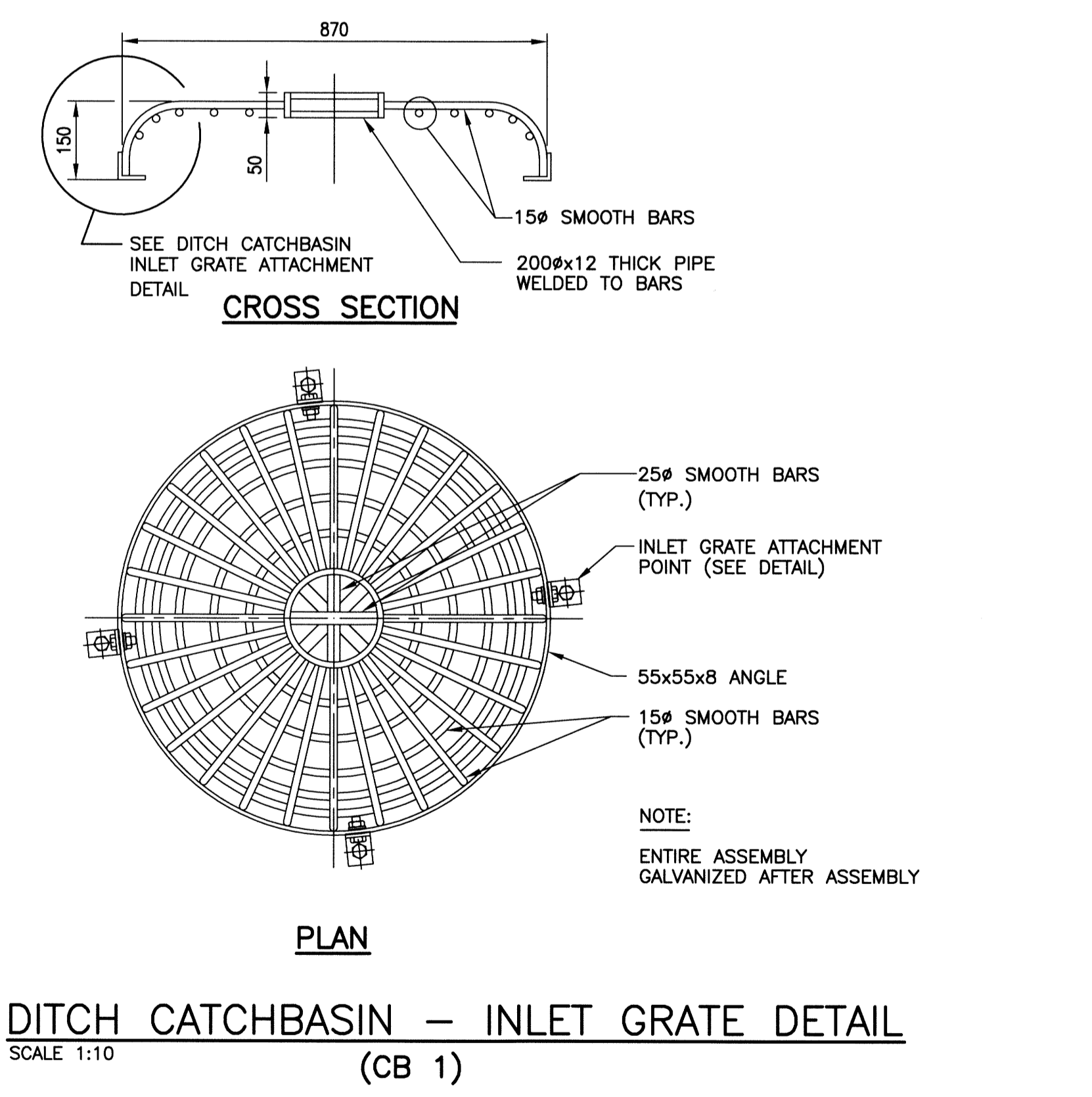
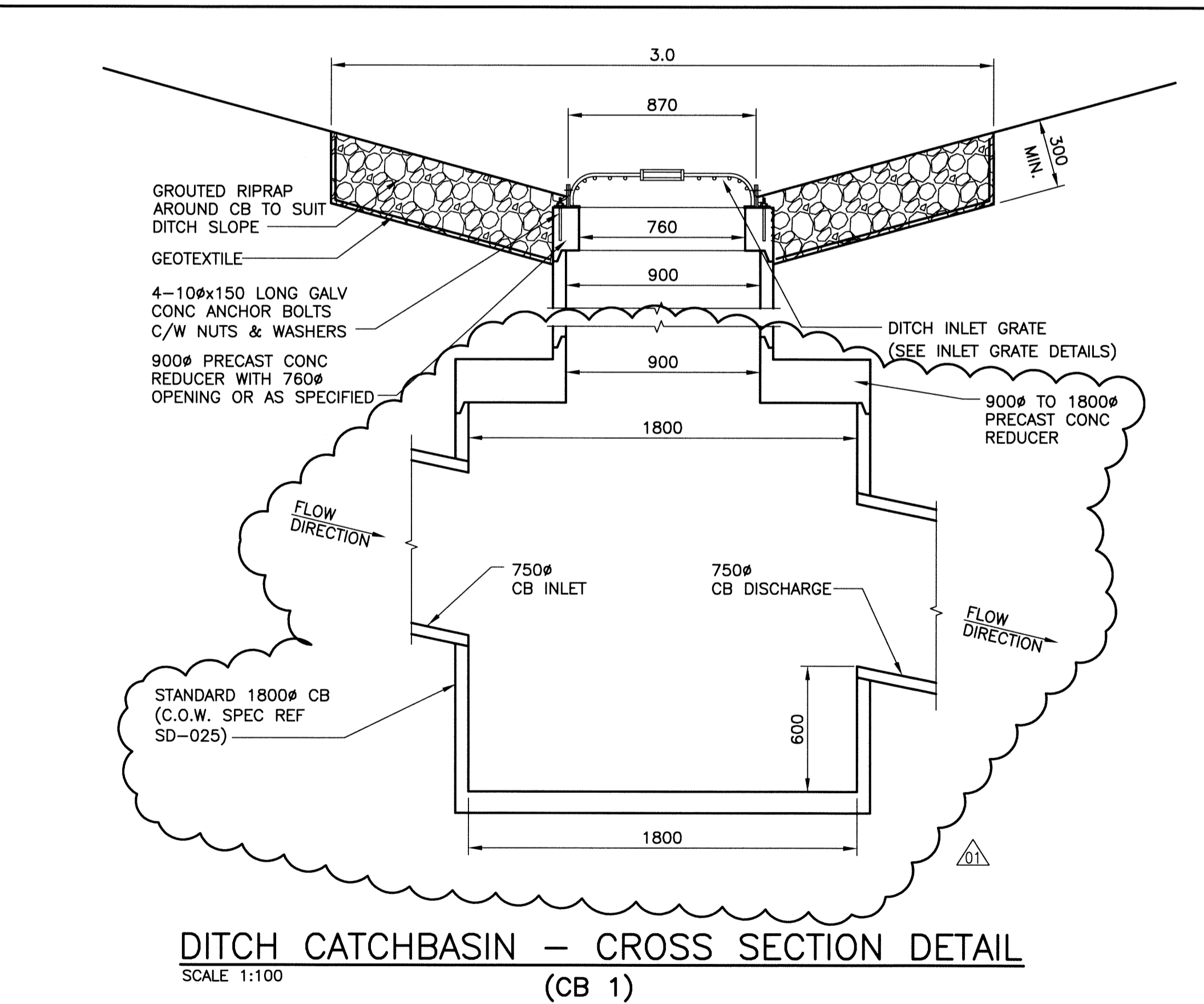
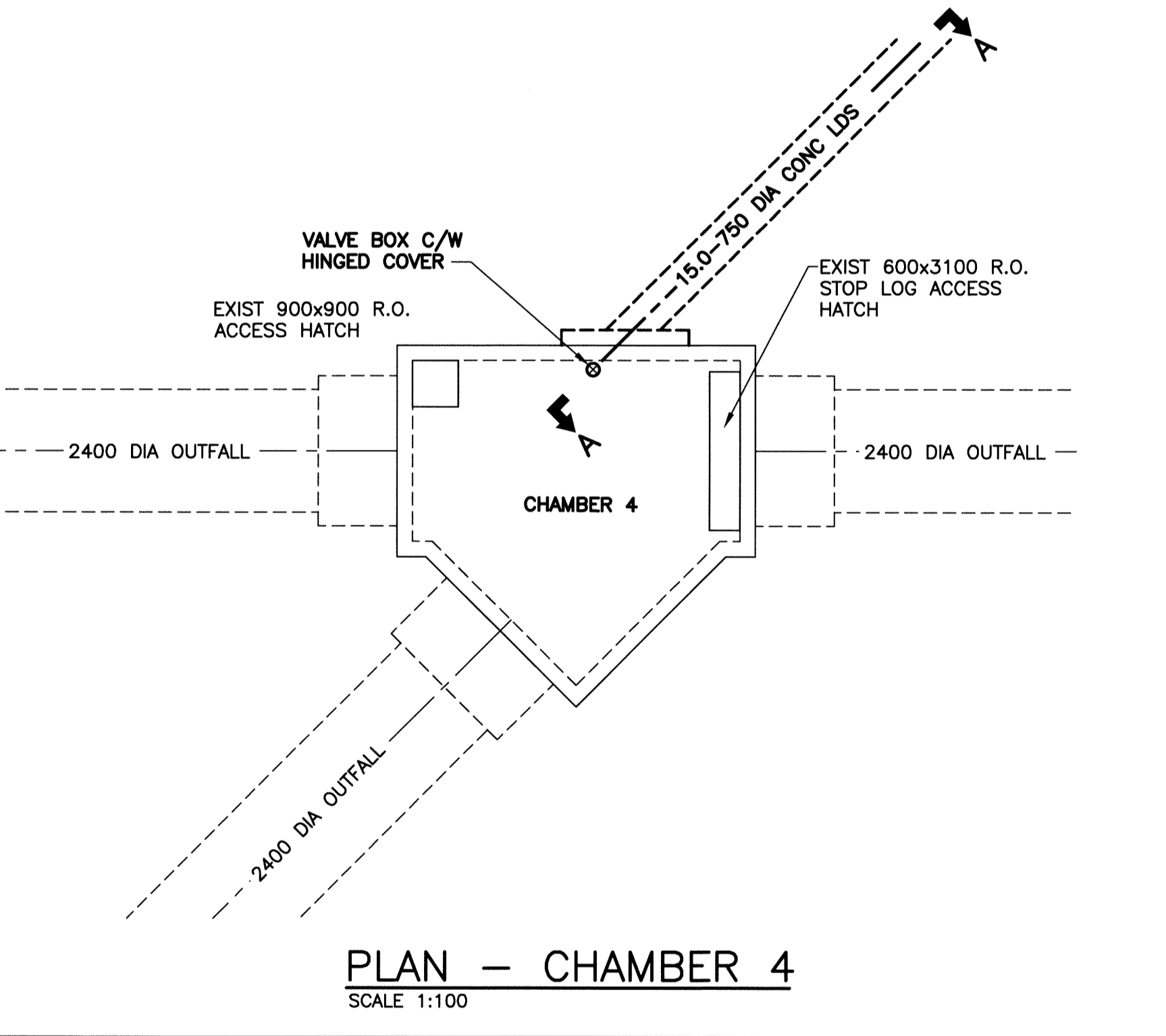


LAST SAVE: 2014/07/17 - 4:01pm
 PATH: P:\Projects\2013\13-0338-002\Dec.Control\ToBeIssued\DWG\333-2014_1-0102-CDRN-Y001-002_R01.dwg
 A1 SIZE = 594mm x 841mm



LEGEND	EXISTING	NEW
SEWER	---	---
SEWER MH	○	●
SEWER PLUG	⊢	⊢
SEWER CB	□	□
SEWER STRUCT	□	□
WM	---	---
WM VALVE	⊗	⊗
WM HYDRANT	⊕	⊕
GAS	---	---
HYDRO	---	---
HYDRO POLE	●HP	●HP
HYDRO STR	□	□
HYDRO POLE	●H	●H
STREET LIGHT	●	●
HYDRO TRANSFORMER	⊗	⊗
BOLLARD	⊗	⊗
TREE	⊗	⊗
SHRUBS/BUSH	⊗	⊗
CULVERT	---	---
DITCH	---	---
ROAD	---	---
FENCE	---	---
LEASED LAND UNDER CULTIVATION	---	---
EXIST. STRUCTURE TO BE MODIFIED	▨	▨
NEW STRUCTURE	▨	▨



NOTE:
1. ALL WORK SHALL BE PERFORMED IN ACCORDANCE WITH THE CITY OF WINNIPEG STANDARD CONSTRUCTION SPECIFICATIONS

APEGM
Certificate of Authorization
KGS Group
No. 245

B.M. ELEV. 234.059	BRASS PLATE LOCATED IN GRADE BEAM OF ADMINISTRATION BUILDING
DESIGNED BY: EMS	CHECKED BY: CMS
DRAWN BY: DMW	APPROVED BY: RJH
SCALE: AS NOTED	RELEASED FOR CONSTRUCTION BY: DATE:
DATE: 2014/06/27	DATE:
CONSULTANT NO.: 13-0338-002	

CH2MHILL
SNC-LAVALIN
KGS GROUP

ENGINEER'S SEAL
C.M. SIEPMAN
Member 20813
Professional Engineer

THE CITY OF WINNIPEG
Winnipeg WATER AND WASTE DEPARTMENT

SOUTH END WATER POLLUTION CONTROL CENTRE
SEWPOC UPGRADE/EXPANSION PROJECT
CIVIL
SITE DRAINAGE OUTLET PLAN AND DETAILS

CITY DRAWING NUMBER	SHEET	REV.	SIZE
1-0102-CDRN-Y001	002	01	A1