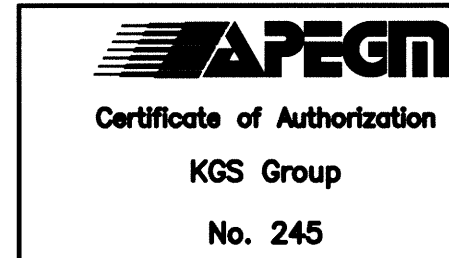
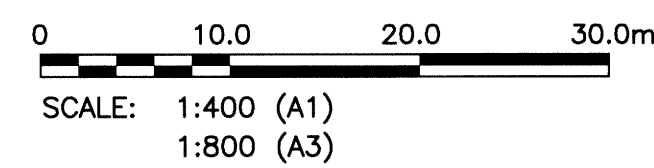


SITE DRAINAGE OUTLET PLAN
 SCALE: HOR=1:400

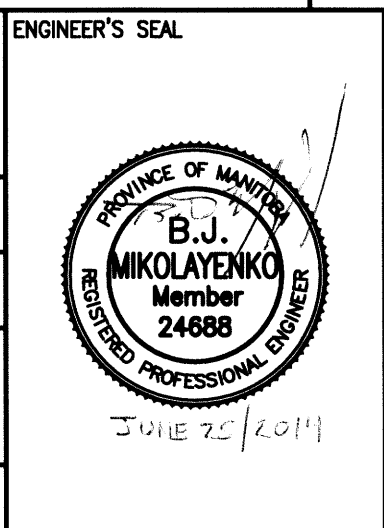
MANHOLE/CB LAYOUT CO-ORDINATES			
ITEM #	EASTING (X)	NORTHING (Y)	REMARKS
MH 1	636680.180	5517421.614	MANHOLE 1
CB 1	636654.024	5517406.920	CATCH BASIN 1
CB 2	636677.706	5517426.943	CATCH BASIN 2
MH 2	636707.026	5517379.230	MANHOLE 2
CB 3	636708.834	5517376.036	CATCH BASIN 3



B.M. BRASS PLATE LOCATED IN GRADE BEAM OF ADMINISTRATION BUILDING ELEV. 234.059	
00	ISSUED FOR TENDER
NO.	REVISIONS
DATE	DESIGN/CHECK

CH2MHILL.
 SNC-LAVALIN
 DESIGNED BY: EMS
 DRAWN BY: DMW
 DATE: 2014/06/27
 CONSULTANT NO.: 13-0338-002

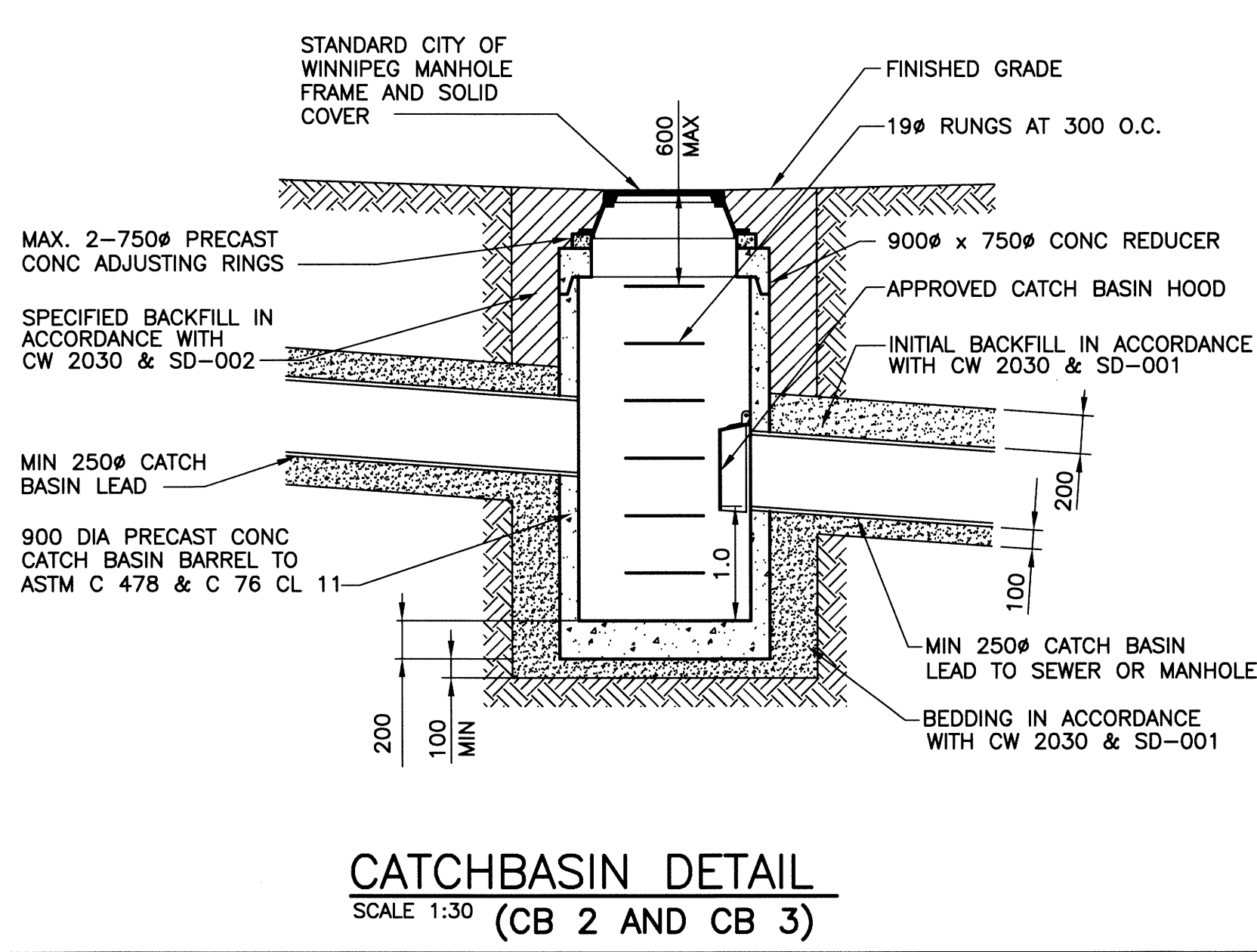
CHECKED BY: BJM
 APPROVED BY: RUH
 RELEASED FOR CONSTRUCTION BY:
 DATE:



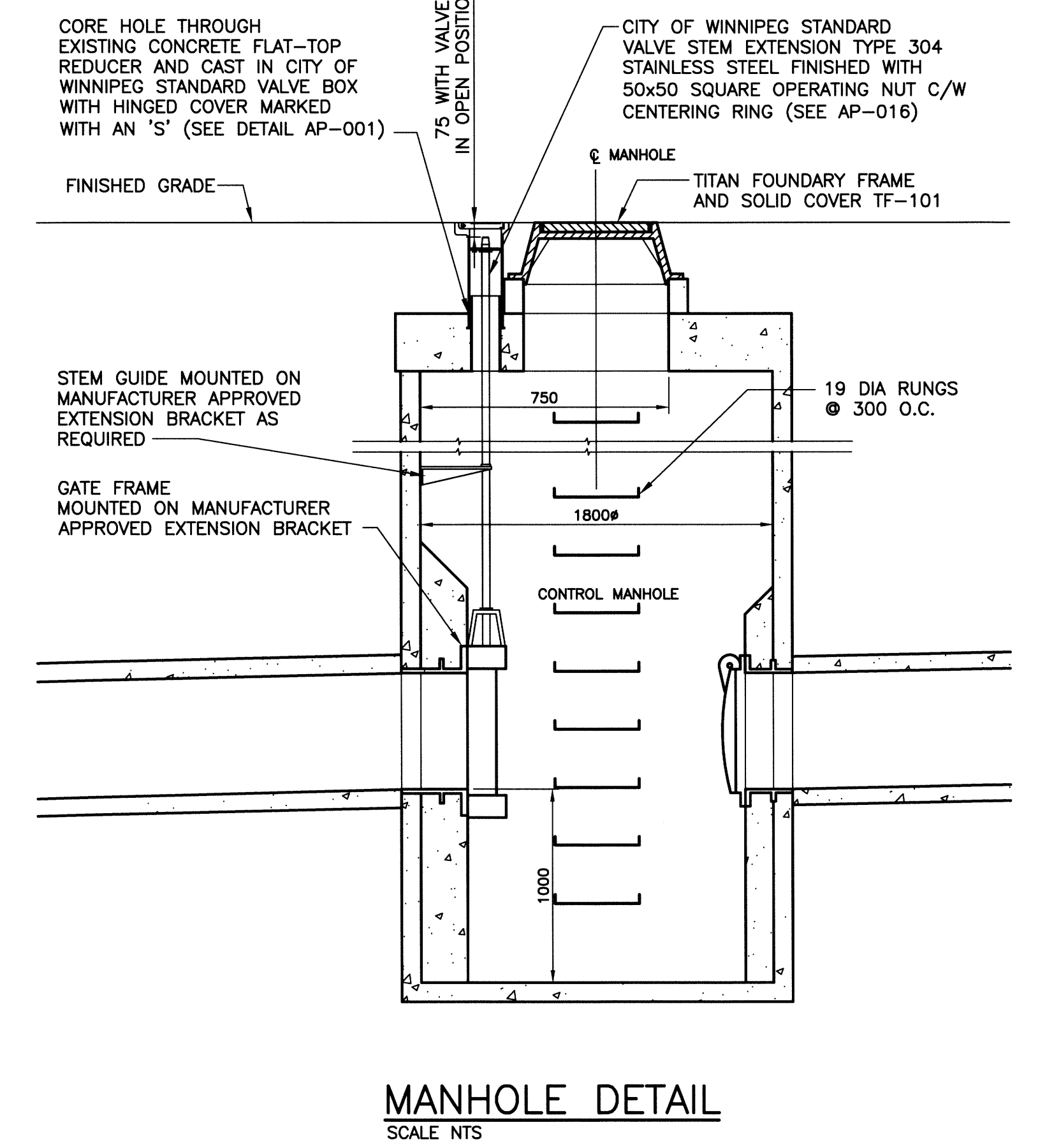
THE CITY OF WINNIPEG
 WATER AND WASTE DEPARTMENT

SOUTH END WATER POLLUTION CONTROL CENTRE
 SEWPPC UPGRADE/EXPANSION PROJECT
 CIVIL
 SITE DRAINAGE OUTLET PLAN AND DETAILS

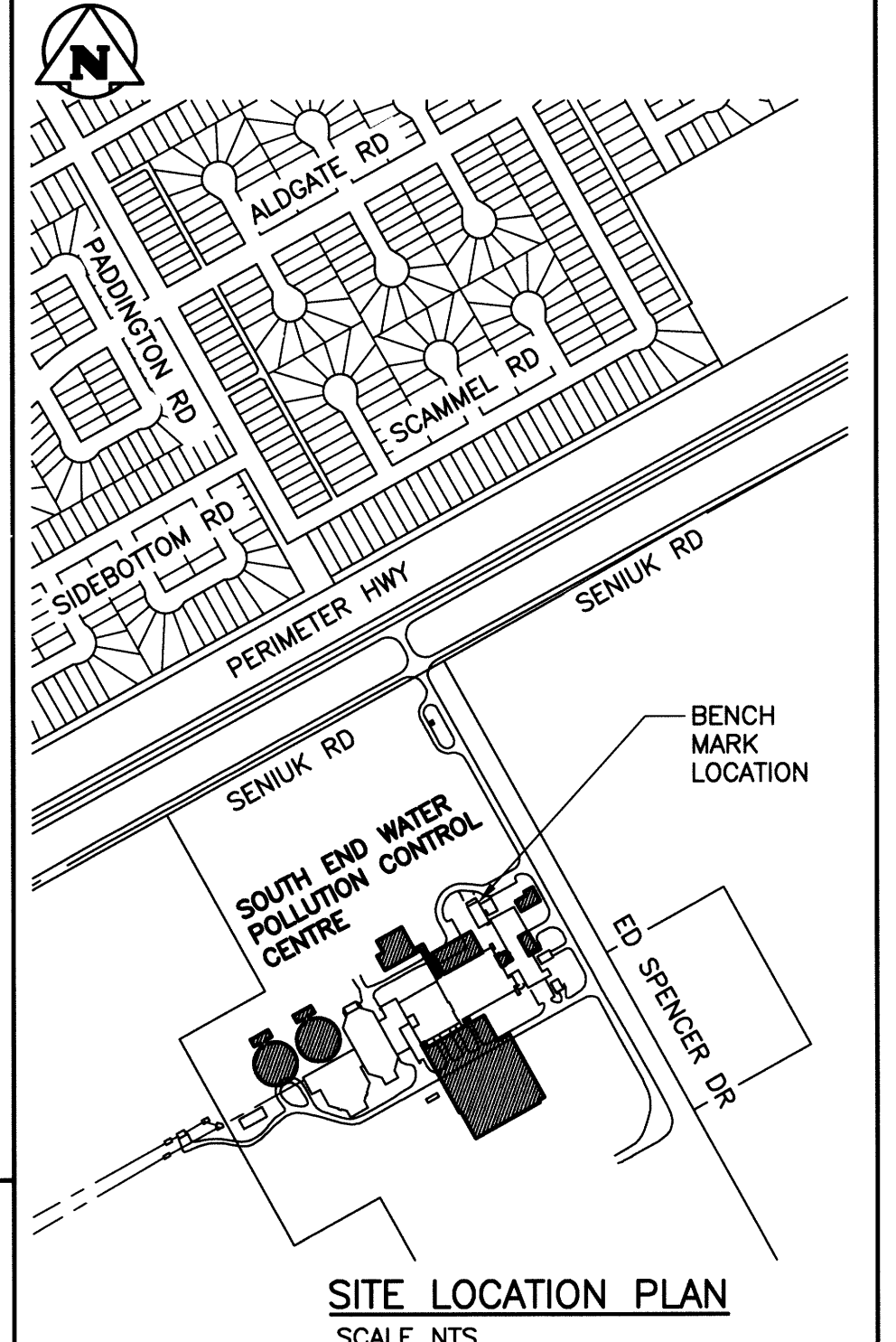
CITY DRAWING NUMBER: 1-0102-CDRN-Y001
 SHEET: 001
 REV: 00
 SIZE: A1



CATCHBASIN DETAIL
 SCALE 1:30 (CB 2 AND CB 3)



MANHOLE DETAIL
 SCALE NTS



SITE LOCATION PLAN
 SCALE NTS

LEGEND	EXISTING	NEW
SEWER	---	---
SEWER MH	○	●
SEWER PLUG	⊖	⊖
SEWER CB	□	□
SEWER STRUCT	⊞	⊞
WM	---	---
WM VALVE	⊗	⊗
WM HYDRANT	⊕	⊕
GAS	---	---
HYDRO	---	---
HYDRO POLE	●HP	●HP
HYDRO STR	□H	□H
HYDRO POLE	●H	●H
STREET LIGHT	⊙	⊙
HYDRO TRANSFORMER	⊞	⊞
BOLLARD	⊗	⊗
TREE	⊙	⊙
SHRUBS/BUSH	⊙	⊙
CULVERT	---	---
DITCH	---	---
ROAD	---	---
FENCE	---	---
LEASED LAND UNDER CULTIVATION	---	---
EXIST STRUCTURE TO BE MODIFIED	▨	▨
NEW STRUCTURE	⊞	⊞

NOTE:
 1. ALL WORK SHALL BE PERFORMED IN ACCORDANCE WITH THE CITY OF WINNIPEG STANDARD CONSTRUCTION SPECIFICATIONS