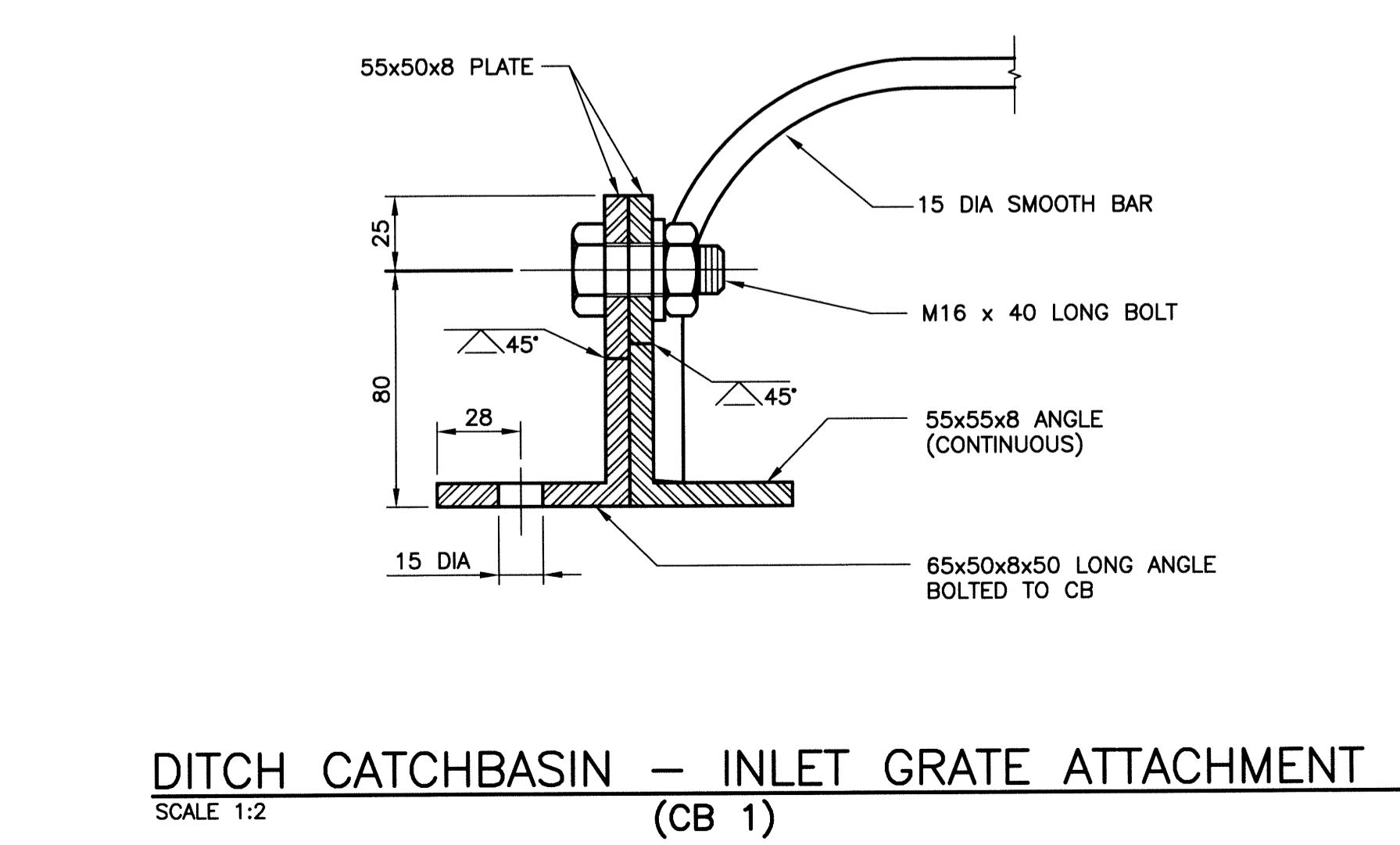
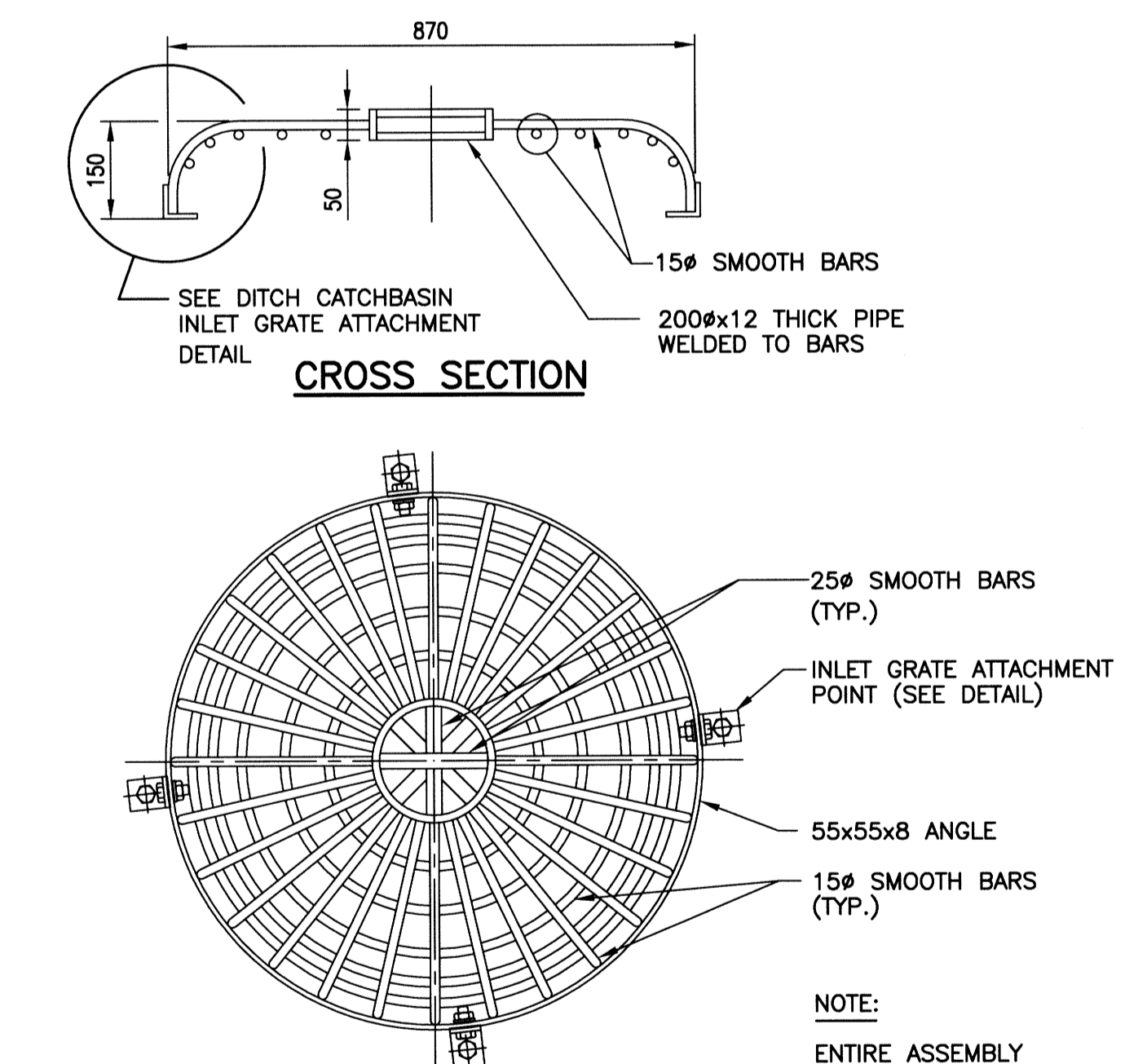
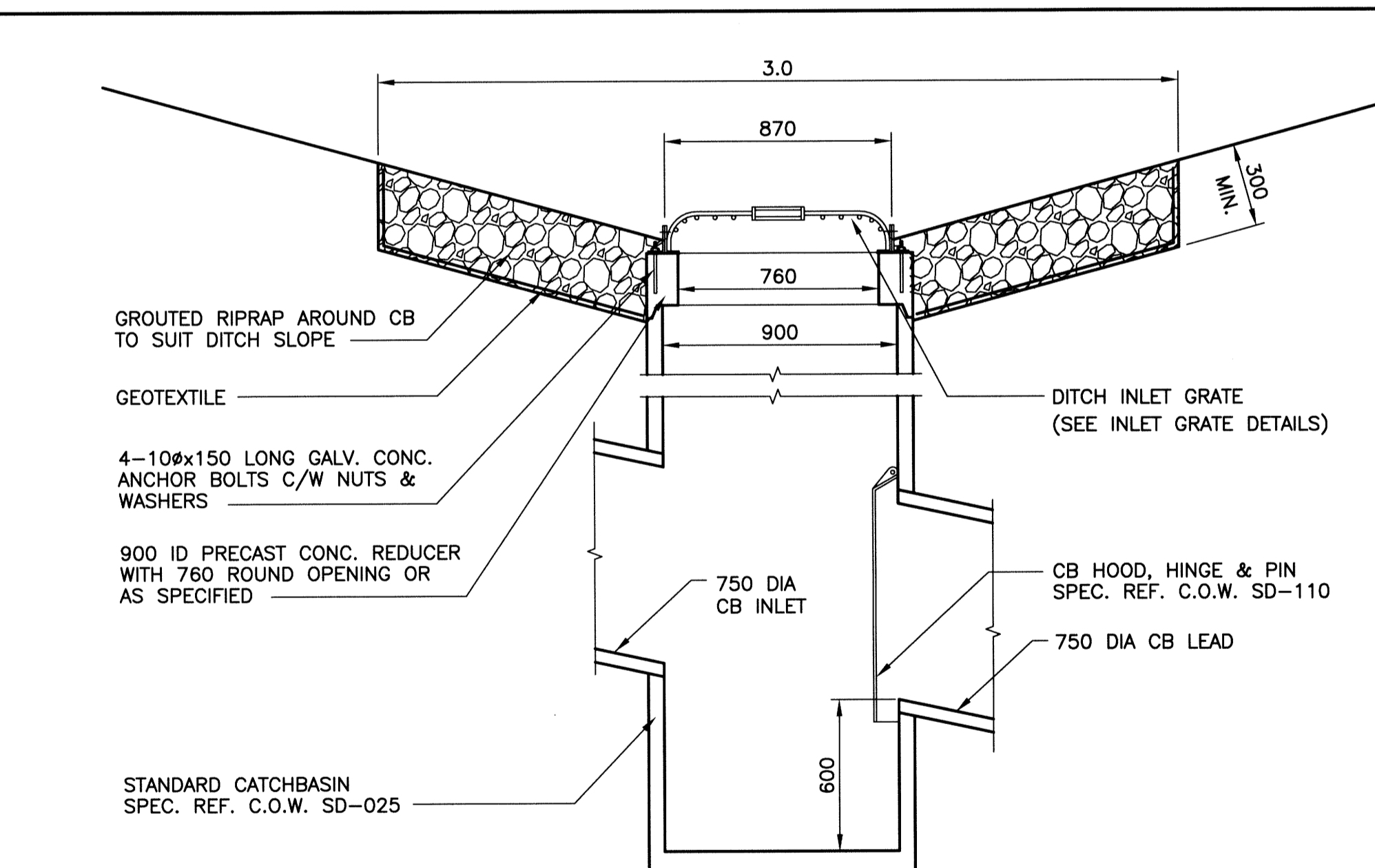
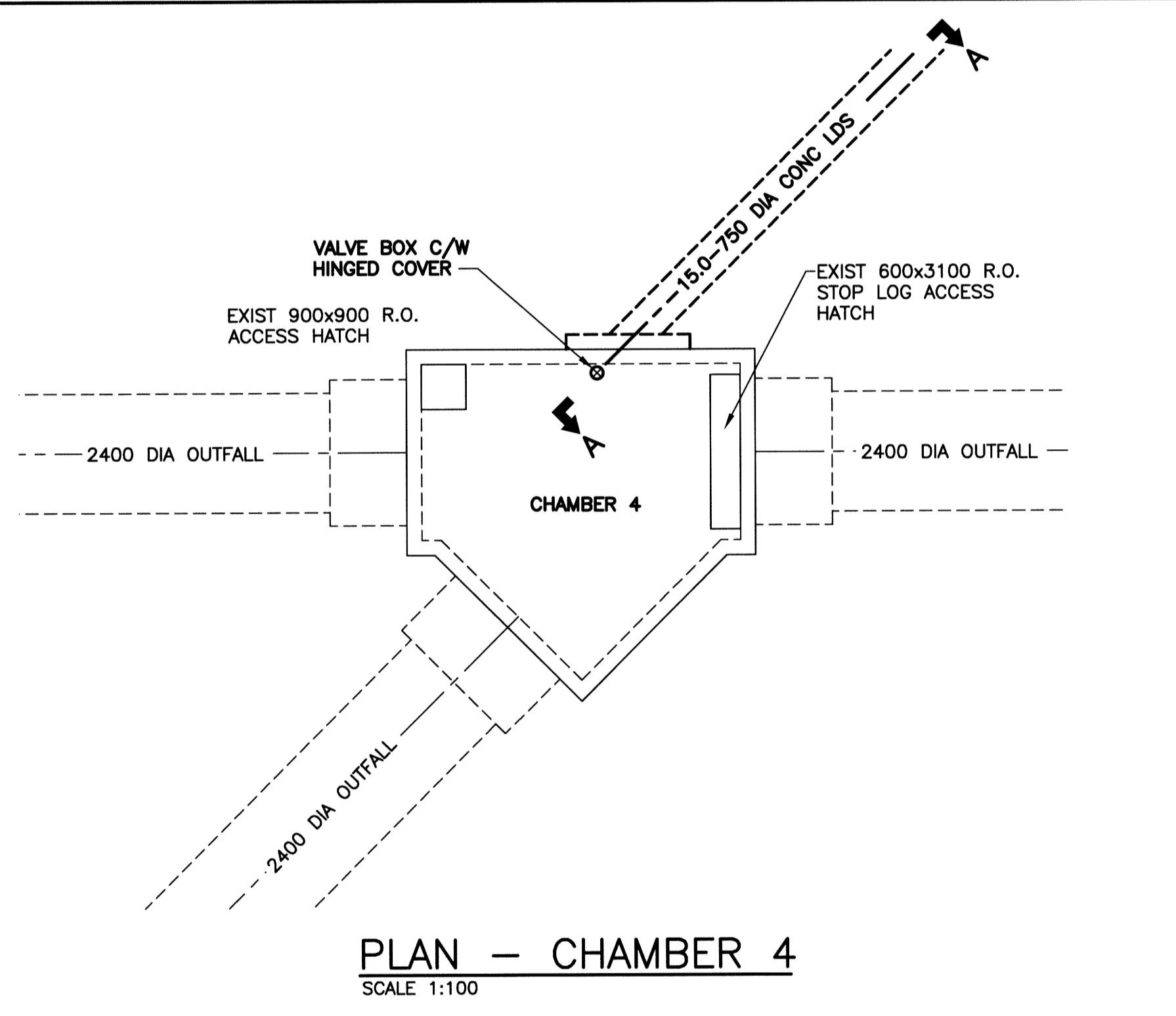
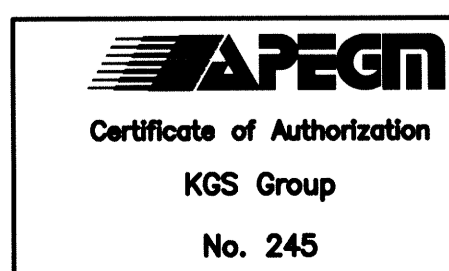


LEGEND	EXISTING	NEW
SEWER	○	●
SEWER MH	○	●
SEWER PLUG	—	—
SEWER CB	□	■
SEWER STRUCT	□	■
WM	—	—
WM VALVE	⊗	⊗
WM HYDRANT	⊕	⊕
GAS	—	—
HYDRO	—	—
HYDRO POLE	●HP	●HP
HYDRO STR	□	□
HYDRO POLE	●H	●H
STREET LIGHT	●	●
HYDRO TRANSFORMER	⊗	⊗
BOLLARD	⊙	⊙
TREE	○	○
SHRUBS/BUSH	○	○
CULVERT	—	—
DITCH	—	—
ROAD	—	—
FENCE	—	—
LEASED LAND	—	—
UNDER CULTIVATION	—	—
EXIST STRUCTURE TO BE MODIFIED	▨	▨
NEW STRUCTURE	▨	▨



NOTE:
1. ALL WORK SHALL BE PERFORMED IN ACCORDANCE WITH THE CITY OF WINNIPEG STANDARD CONSTRUCTION SPECIFICATIONS



B.M. BRASS PLATE LOCATED IN GRADE BEAM OF ADMINISTRATION BUILDING ELEV. 234.059	CH2MHILL.	ENGINEER'S SEAL
DESIGNED BY: EMS	CHECKED BY: CMS	
DRAWN BY: DMW	APPROVED BY: RJH	
SCALE: AS NOTED	RELEASED FOR CONSTRUCTION BY:	
DATE: 2014/06/27	DATE:	
NO. REVISIONS	DATE	DESIGN/CHECK
00 ISSUED FOR TENDER	06/2014	EMS C.M.S.
CONSULTANT NO.: 13-0338-002		

THE CITY OF WINNIPEG
WATER AND WASTE DEPARTMENT

SOUTH END WATER POLLUTION CONTROL CENTRE
SEWPC UPGRADE/EXPANSION PROJECT
CIVIL
SITE DRAINAGE OUTLET PLAN AND DETAILS

CITY DRAWING NUMBER: 1-0102-CDRN-Y001
SHEET: 002
REV: 00
SIZE: A1