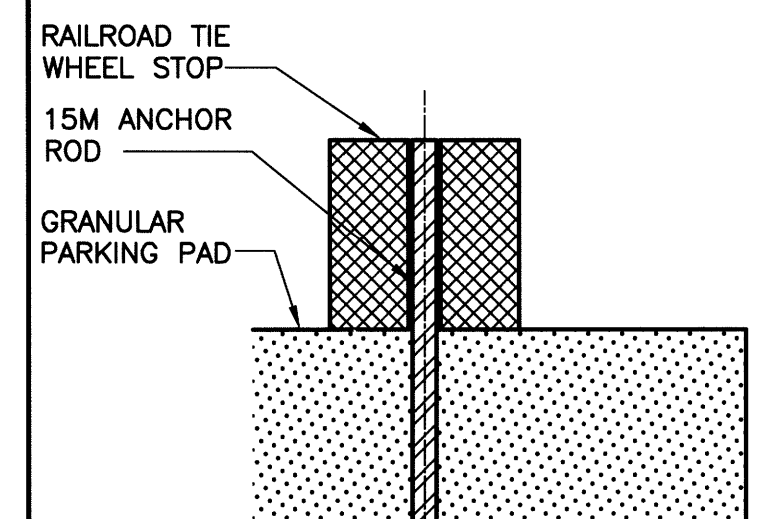
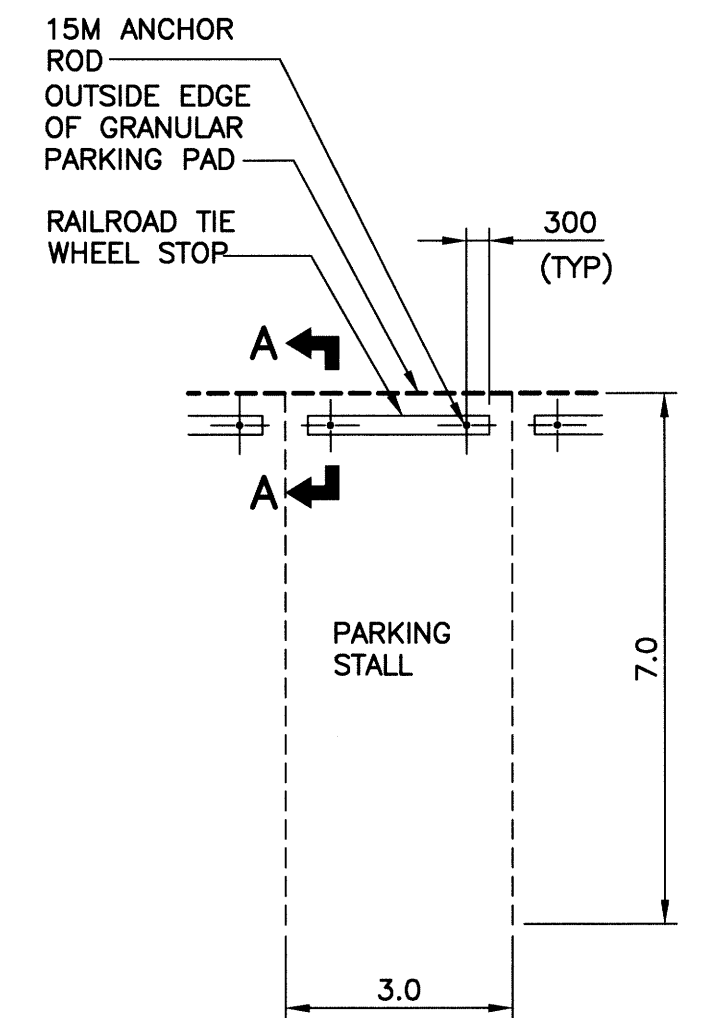


FROBISHER RD
PERIMETER 100 HWY
SENIUK RD



SECTION A-A



PLAN

PARKING STALL
DETAIL

SCALE: NTS

CONTRACTOR TO INSTALL
2.4m x 4.8m SITE
SIGNAGE

INSTALL REFLECTIVE
CHANNEL POSTS ON
BOTH SIDES OF ROAD
(SEE NOTE)

CONST. ACCESS ROAD
- GEOTECH FABRIC
- 300 mm 150 mm STONE
- 200 mm 50 mm DOWN
- 100 mm 20 mm DOWN

REFLECTIVE CHANNEL POST NOTES

- CONTRACTOR TO SUPPLY AND INSTALL GALVANIZED STEEL CHANNEL POSTS C/W 100mm WHITE REFLECTIVE BAND.
- CHANNELS TO BE 1.2m ABOVE FINISHED GRADE AND EMBEDDED MIN 600mm BELOW FINISHED GRADE.
- CHANNELS TO BE SPACED AT 10.0m O.C. ON BOTH SIDES OF ROAD.
- CHANNELS LOCATED AT SENIUK DRIVE AND INTERSECTION ARCS TO BE SPACED AT 2.4m O.C.

3:1 SLOPE

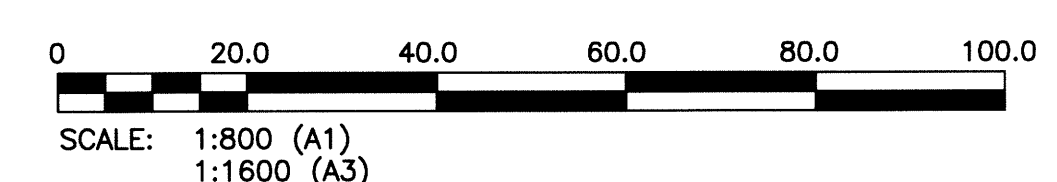
TEMP 2.4 HIGH
CHAIN LINK FENCE
GATE

TEMP 2.4 HIGH
CHAIN LINK FENCE
GATE

3:1 SLOPE

BOTTOM OF SLOPE

3:1 SLOPE



CONSTRUCTION ACCESS ROAD

CONTRACTOR LAYDOWN AREA

26 PARKING STALLS

26 PARKING STALLS

GRAVEL PAD TYPE 1
- GEOTECH FABRIC
- 200 mm 50 mm DOWN
- 100 mm 20 mm DOWN

NEW ROAD

PARKING SPACES C/W
PARKING STALL CURB STOPS
(SEE PARKING STALL DETAIL)

NEW ROAD

LOT LINE

NEW TEMP 1.828 HIGH
CHAIN LINK FENCING

EXCAVATED STOCKPILE

START NEW 3.65 HIGH
CHAIN LINK FENCING

START NEW 1.828 HIGH
CHAIN LINK FENCING

CONTRACTOR LAYDOWN AREA

CONTRACTOR LAYDOWN AREA

CONTRACTOR LAYDOWN AREA

CONTRACTOR LAYDOWN AREA

CONTRACTOR LAYDOWN AREA

CONTRACTOR LAYDOWN AREA

CONTRACTOR LAYDOWN AREA

321.820

NEW TEMP 1.828 HIGH
CHAIN LINK FENCING

CONTRACTOR LAYDOWN AREA

CONTRACTOR LAYDOWN AREA

CONTRACTOR LAYDOWN AREA

CONTRACTOR LAYDOWN AREA

CONTRACTOR LAYDOWN AREA

CONTRACTOR LAYDOWN AREA

CONTRACTOR LAYDOWN AREA

CONTRACTOR LAYDOWN AREA

CONTRACTOR LAYDOWN AREA

CONTRACTOR LAYDOWN AREA

CONTRACTOR LAYDOWN AREA

CONTRACTOR LAYDOWN AREA

CONTRACTOR LAYDOWN AREA

CONTRACTOR LAYDOWN AREA

CONTRACTOR LAYDOWN AREA

CONTRACTOR LAYDOWN AREA

CONTRACTOR LAYDOWN AREA

CONTRACTOR LAYDOWN AREA

CONTRACTOR LAYDOWN AREA

CONTRACTOR LAYDOWN AREA

CONTRACTOR LAYDOWN AREA

CONTRACTOR LAYDOWN AREA

CONTRACTOR LAYDOWN AREA

CONTRACTOR LAYDOWN AREA

CONTRACTOR LAYDOWN AREA

CONTRACTOR LAYDOWN AREA

CONTRACTOR LAYDOWN AREA

CONTRACTOR LAYDOWN AREA

CONTRACTOR LAYDOWN AREA

CONTRACTOR LAYDOWN AREA

62.560

NEW TEMP 1.828 HIGH
CHAIN LINK FENCING

CONTRACTOR LAYDOWN AREA

CONTRACTOR LAYDOWN AREA

CONTRACTOR LAYDOWN AREA

CONTRACTOR LAYDOWN AREA

CONTRACTOR LAYDOWN AREA

CONTRACTOR LAYDOWN AREA

CONTRACTOR LAYDOWN AREA

CONTRACTOR LAYDOWN AREA

CONTRACTOR LAYDOWN AREA

CONTRACTOR LAYDOWN AREA

CONTRACTOR LAYDOWN AREA

CONTRACTOR LAYDOWN AREA

CONTRACTOR LAYDOWN AREA

CONTRACTOR LAYDOWN AREA

CONTRACTOR LAYDOWN AREA

CONTRACTOR LAYDOWN AREA

CONTRACTOR LAYDOWN AREA

CONTRACTOR LAYDOWN AREA

CONTRACTOR LAYDOWN AREA

CONTRACTOR LAYDOWN AREA

CONTRACTOR LAYDOWN AREA

CONTRACTOR LAYDOWN AREA

CONTRACTOR LAYDOWN AREA

CONTRACTOR LAYDOWN AREA

CONTRACTOR LAYDOWN AREA

CONTRACTOR LAYDOWN AREA

CONTRACTOR LAYDOWN AREA

CONTRACTOR LAYDOWN AREA

CONTRACTOR LAYDOWN AREA

CONTRACTOR LAYDOWN AREA

ED SPENCER DR

30.300

51.250

30.300

51.250

30.300

51.250

30.300

51.250

30.300

51.250

30.300

NOTE:
1. ALL WORK SHALL BE PERFORMED IN ACCORDANCE WITH THE CITY OF WINNIPEG STANDARD CONSTRUCTION SPECIFICATIONS



ITEM	EXISTING	NEW	ABANDONED	ITEM	EXISTING	NEW	ABANDONED
WM VALVE	⊙	⊙	⊙	SIGN BOLLARD	⊙	⊙	⊙
WM HYDRANT	⊙	⊙	⊙	TREE	⊙	⊙	⊙
SEWER	—	—	—	BUSH	—	—	—
SEWER MH	⊙	⊙	⊙	ELEVATION	233.240	233.450	
SEWER CB	⊙	⊙	⊙	CULVERT	—	—	—
MTS	⊙	⊙	⊙	ROAD	—	—	—
MTS MH	⊙	⊙	⊙	CONSTRUCTION ACCESS ROAD	—	—	—
HYDRO	—	—	—				
HYDRO LS	—	—	—				
HYDRO POLE	—	—	—				
GAS	—	—	—				
DITCH	—	—	—				
FENCE	—	—	—				

B.M. BRASS PLATE LOCATED IN GRADE BEAM OF ADMINISTRATION BUILDING	ELEV. 234.059
00	ISSUED FOR TENDER
NO.	REVISIONS
06/2014	DATE
EMS	DESIGN
	CHECK

CH2MHILL

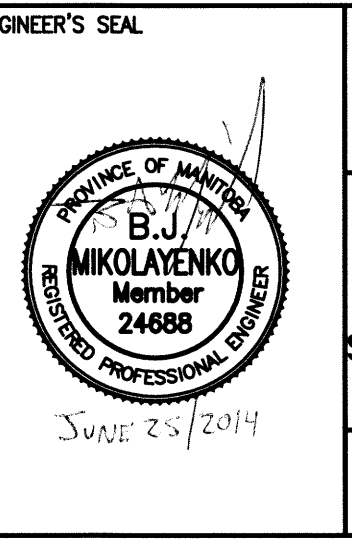
SNC-LAVALIN

DESIGNED BY: EMS
DRAWN BY: DMW
DATE: 2014/06/27

CHECKED BY: BJM
APPROVED BY: RJH
DATE: _____

SCALE: AS NOTED
RELEASED FOR CONSTRUCTION BY: _____

CONSULTANT NO.: 13-0338-002



THE CITY OF WINNIPEG
WATER AND WASTE DEPARTMENT

SOUTH END WATER POLLUTION CONTROL CENTRE
SEWPPC UPGRADE/EXPANSION PROJECT
CIVIL

SITE CONSTRUCTION ROADWAY, LAYDOWN AREA & STOCKPILE PLAN NORTH

CITY DRAWING NUMBER: 1-0102-CGAD-A003
SHEET: 002
REV: 00
SIZE: A1