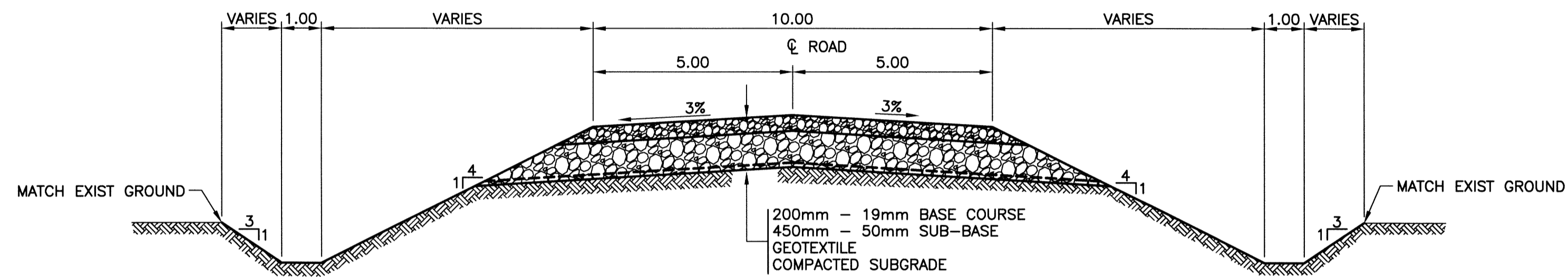


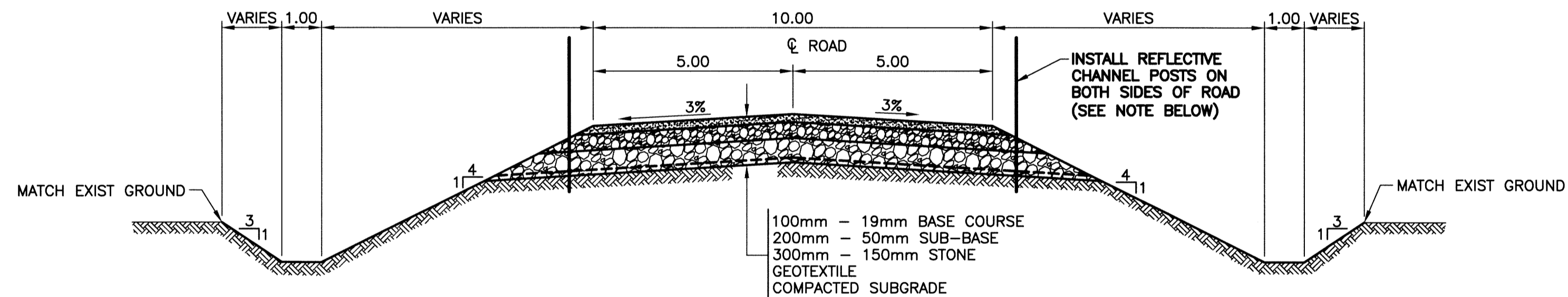
PERIMETER ROAD SECTION (TYP.)

SCALE: H=1:100 V=1:50 (A1)
H=1:200 V=1:100 (A3)



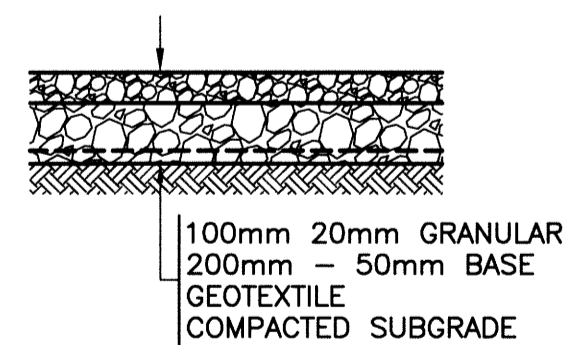
NORTH PERIMETER ROAD SECTION (STA 1+00 TO STA 2+70)

SCALE: H=1:100 V=1:50 (A1)
H=1:200 V=1:100 (A3)



CONSTRUCTION ACCESS ROAD SECTION

SCALE H=1:100 V=1:50 (A1)
H=1:200 V=1:100 (A3)



GRAVEL PAD TYPE 1

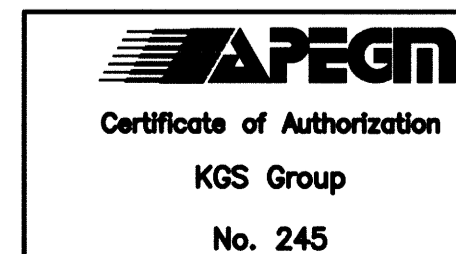
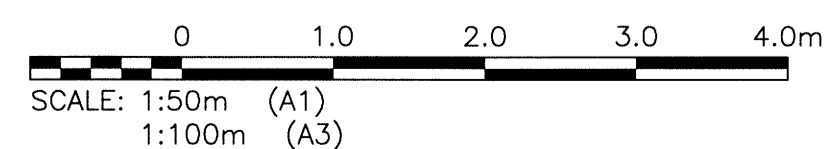
SCALE: H=1:500 V=1:25 (A1)
H=1:100 V=1:50 (A3)

REFLECTIVE CHANNEL POST NOTE

- CONTRACTOR TO SUPPLY AND INSTALL GALVANIZED STEEL CHANNEL POSTS C/W 100mm WHITE REFLECTIVE BAND.
- CHANNELS TO BE 1.2m ABOVE FINISHED GRADE AND EMBEDDED MIN 600mm BELOW FINISHED GRADE.
- CHANNELS TO BE SPACED AT 10.0m O.C. ON BOTH SIDES OF ROAD.
- CHANNELS LOCATED AT SENIUK DRIVE AND INTERSECTION ARCS TO BE SPACED AT 2.4m O.C.

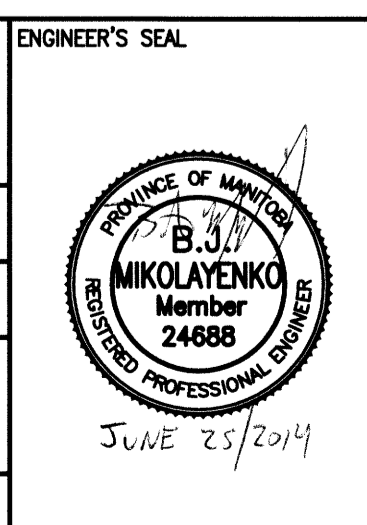
NOTE:

1. ALL WORK SHALL BE PERFORMED IN ACCORDANCE WITH THE CITY OF WINNIPEG STANDARD CONSTRUCTION SPECIFICATIONS



B.M. BRASS PLATE LOCATED IN GRADE BEAM OF ADMINISTRATION BUILDING ELEV. 234.059			
00	ISSUED FOR TENDER	06/2014	EMS
NO.	REVISIONS	DATE	DESIGN CHECK

CH2MHILL	
DESIGNED BY: EMS	CHECKED BY: BJM
DRAWN BY: DMW	APPROVED BY: RJH
SCALE: AS NOTED	RELEASED FOR CONSTRUCTION BY:
DATE: 2014/06/27	DATE:
CONSULTANT NO.: 13-0338-002	



THE CITY OF WINNIPEG
WATER AND WASTE DEPARTMENT

SOUTH END WATER POLLUTION CONTROL CENTRE
SEWPPC UPGRADE/EXPANSION PROJECT
CIVIL
MISCELLANEOUS DETAILS

CITY DRAWING NUMBER	SHEET	REV.	SIZE
1-0102-DTL-A001	001	00	A1