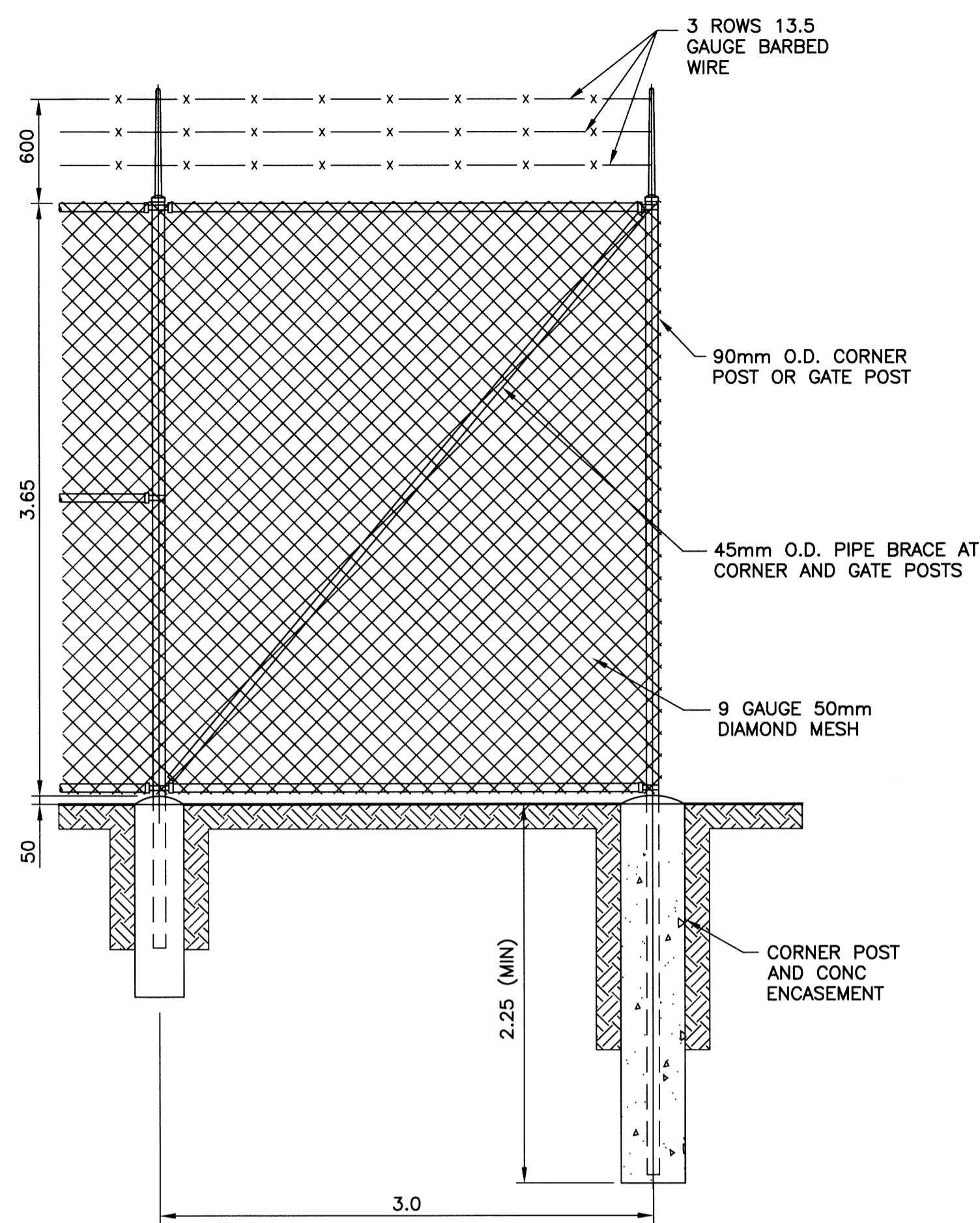


ELEVATION SECTION

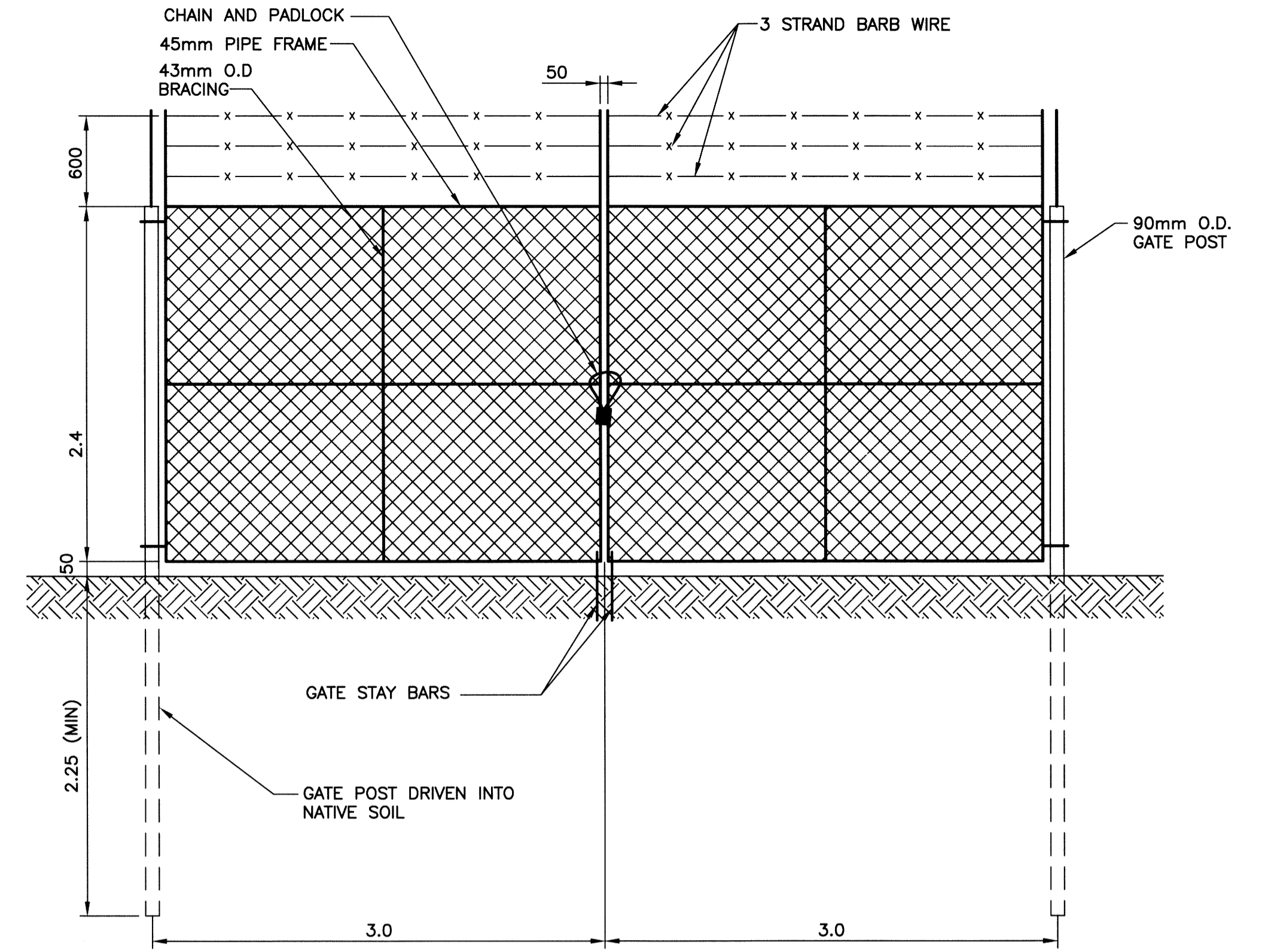
**PERIMETER CHAIN LINK FENCE
ELEVATION AND SECTION**

SCALE: 1:30



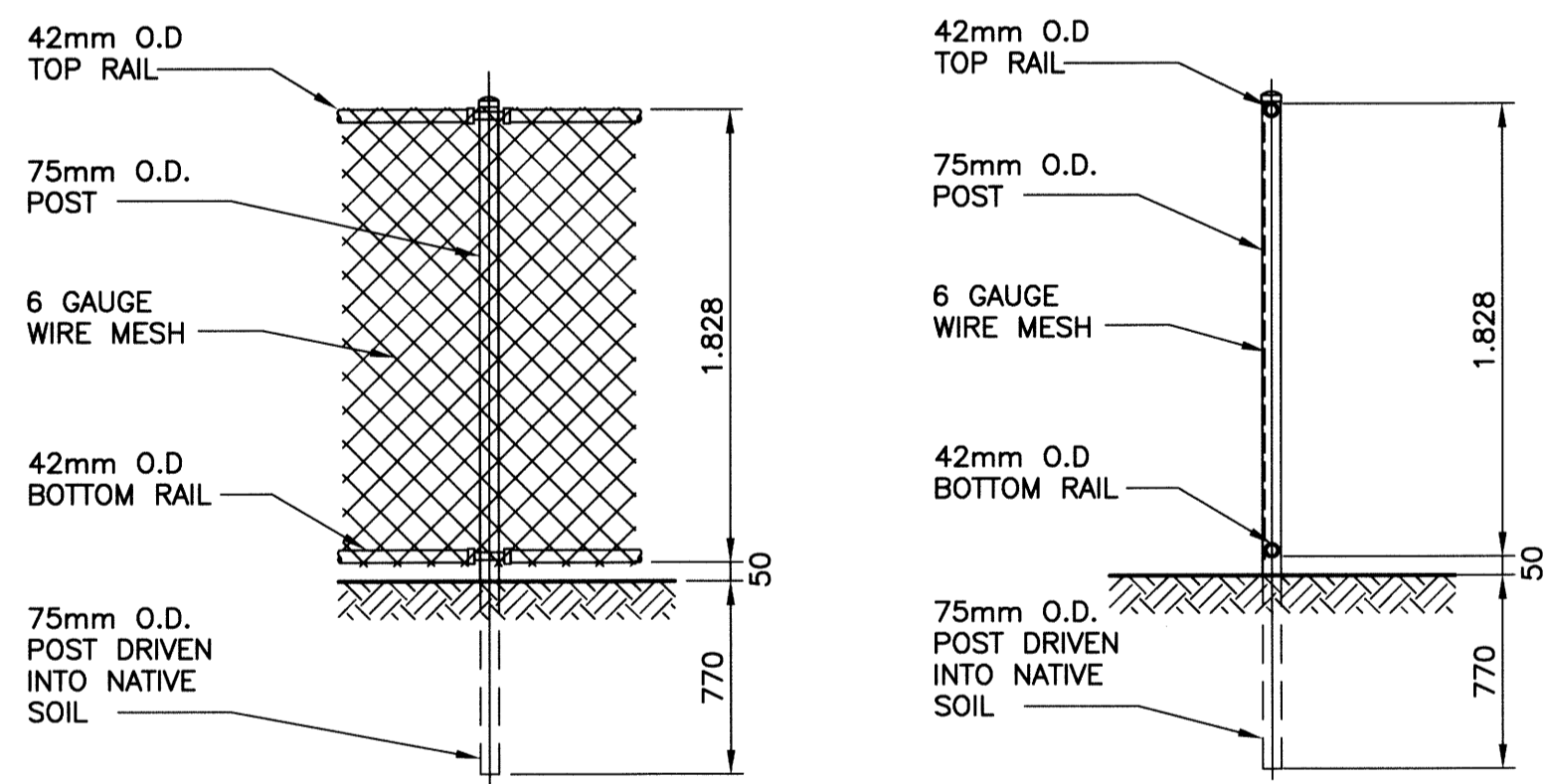
**PERIMETER CHAIN LINK FENCE
CORNER DETAIL**

SCALE: 1:30



TEMPORARY CHAIN LINK FENCE GATE DETAIL

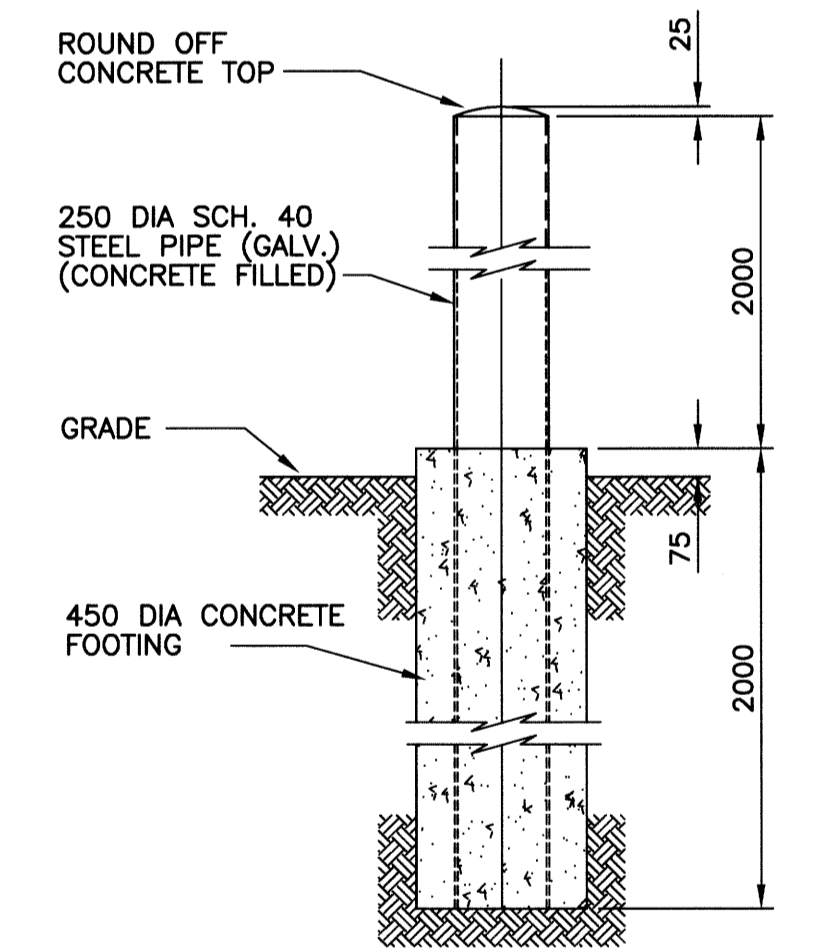
SCALE: 1:30



ELEVATION SECTION

**TEMPORARY CHAIN LINK FENCE
ELEVATION AND SECTION**

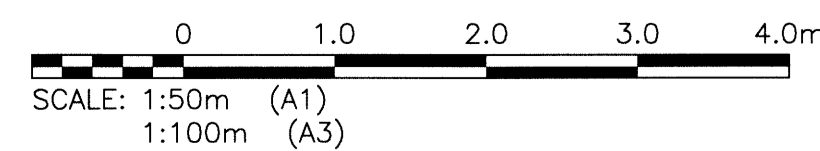
SCALE: 1:30



BOLLARD DETAIL

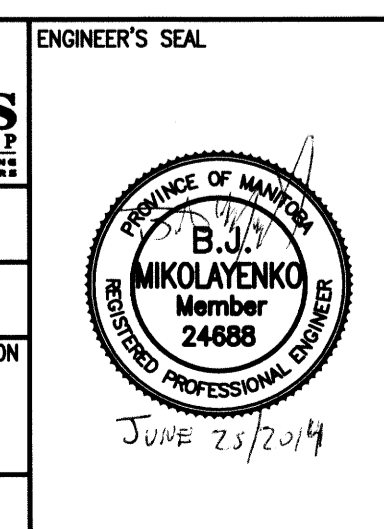
SCALE: 1:20

NOTE:
1. ALL WORK SHALL BE PERFORMED IN ACCORDANCE WITH THE CITY OF WINNIPEG STANDARD CONSTRUCTION SPECIFICATIONS



B.M. BRASS PLATE LOCATED IN GRADE BEAM OF ADMINSTRATON BUILDING ELEV. 234.059			
00	ISSUED FOR TENDER	06/2014	EMS Bjm
NO.	REVISIONS	DATE	DESIGN CHECK

CH2MHILL.	
DESIGNED BY: SNC-LAVALIN	CHECKED BY: BJM
DRAWN BY: EMS	APPROVED BY: RJH
SCALE: AS NOTED	RELEASED FOR CONSTRUCTION BY:
DATE: 2014/06/27	DATE:
CONSULTANT NO.: 13-0338-002	



THE CITY OF WINNIPEG WATER AND WASTE DEPARTMENT		
SOUTH END WATER POLLUTION CONTROL CENTRE SEWPPC UPGRADE/EXPANSION PROJECT CIVIL MISCELLANEOUS DETAILS 2		
CITY DRAWING NUMBER	SHEET	REV. SIZE
1-0102-DTL-A001	002	00 A1