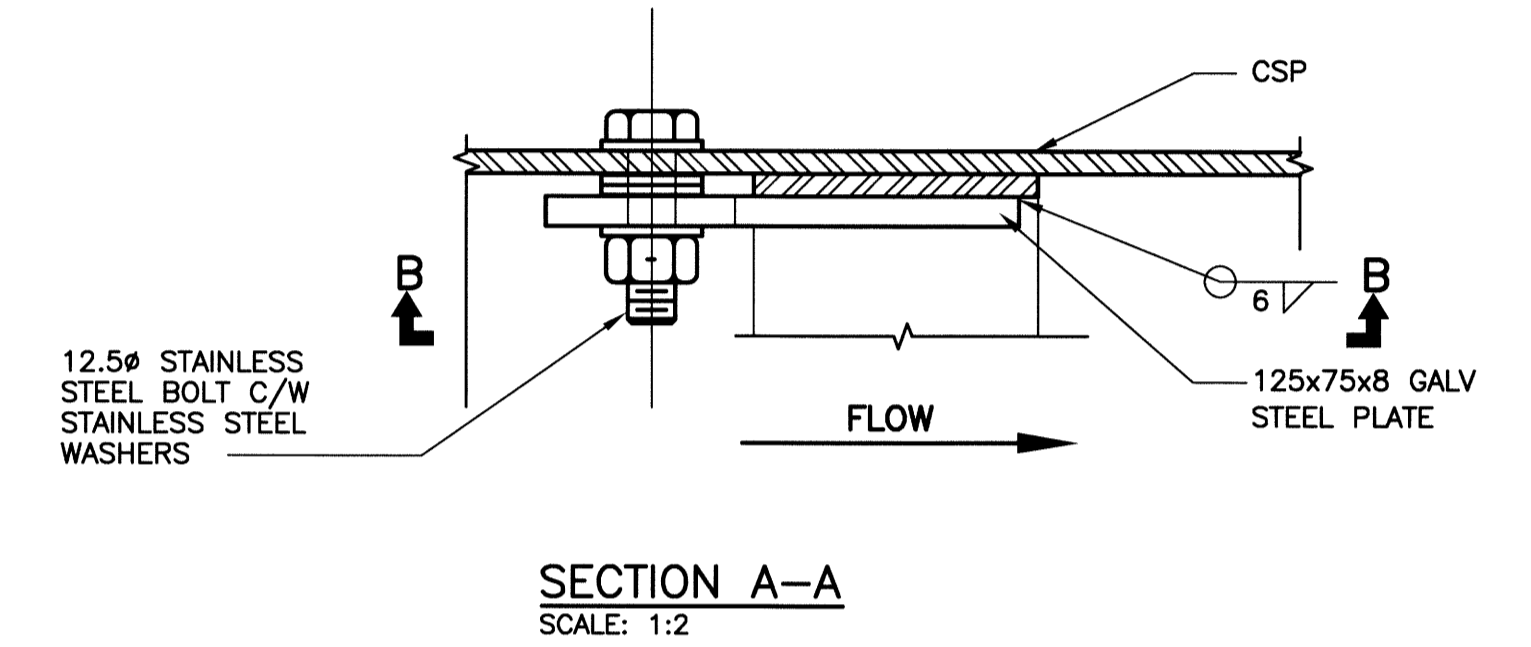
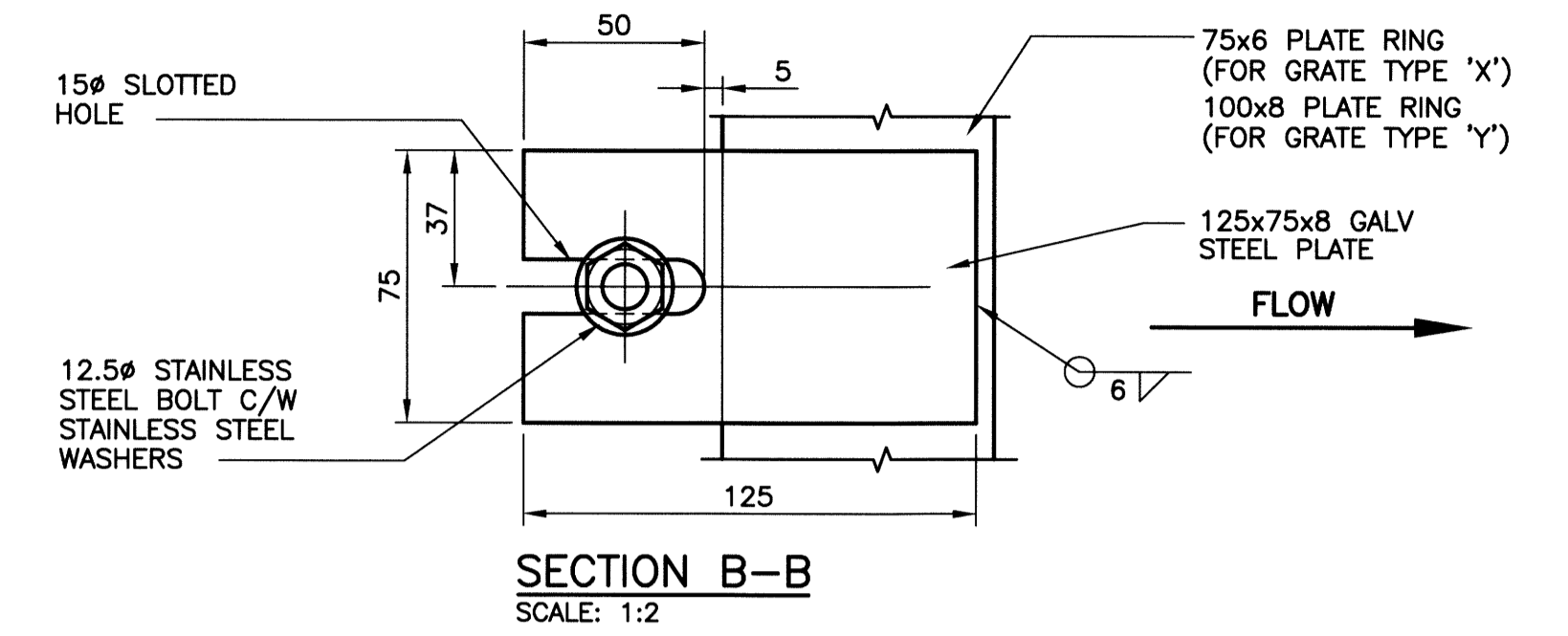
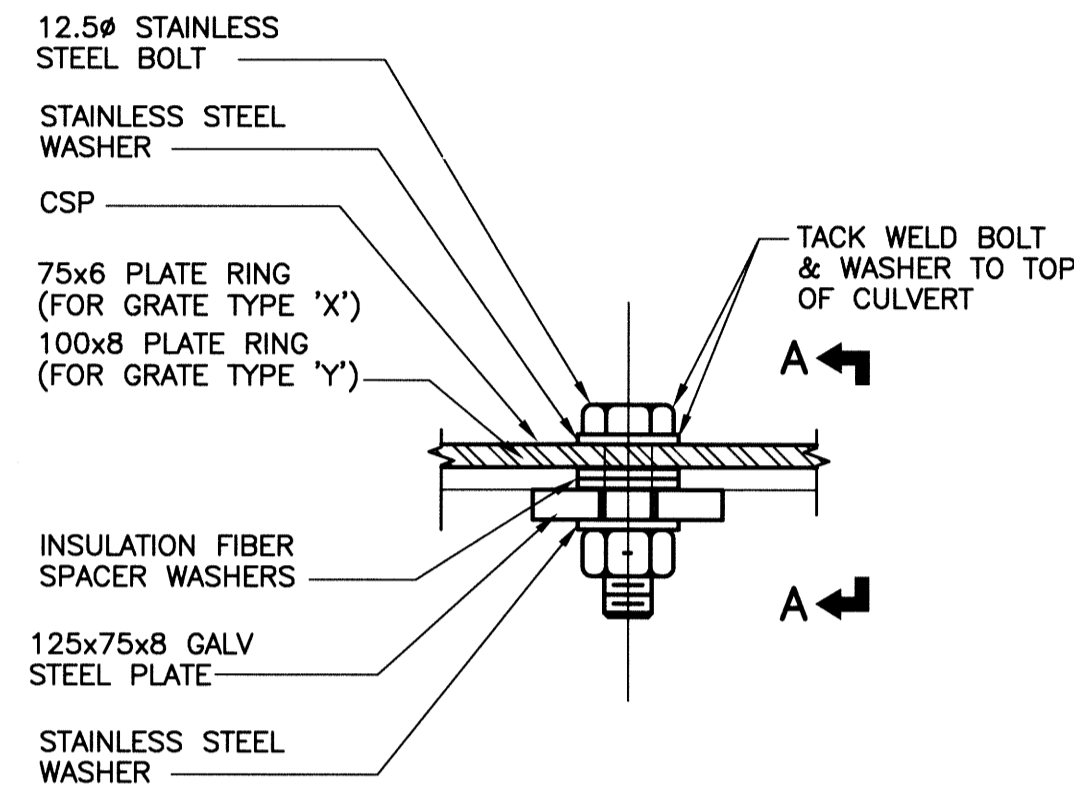


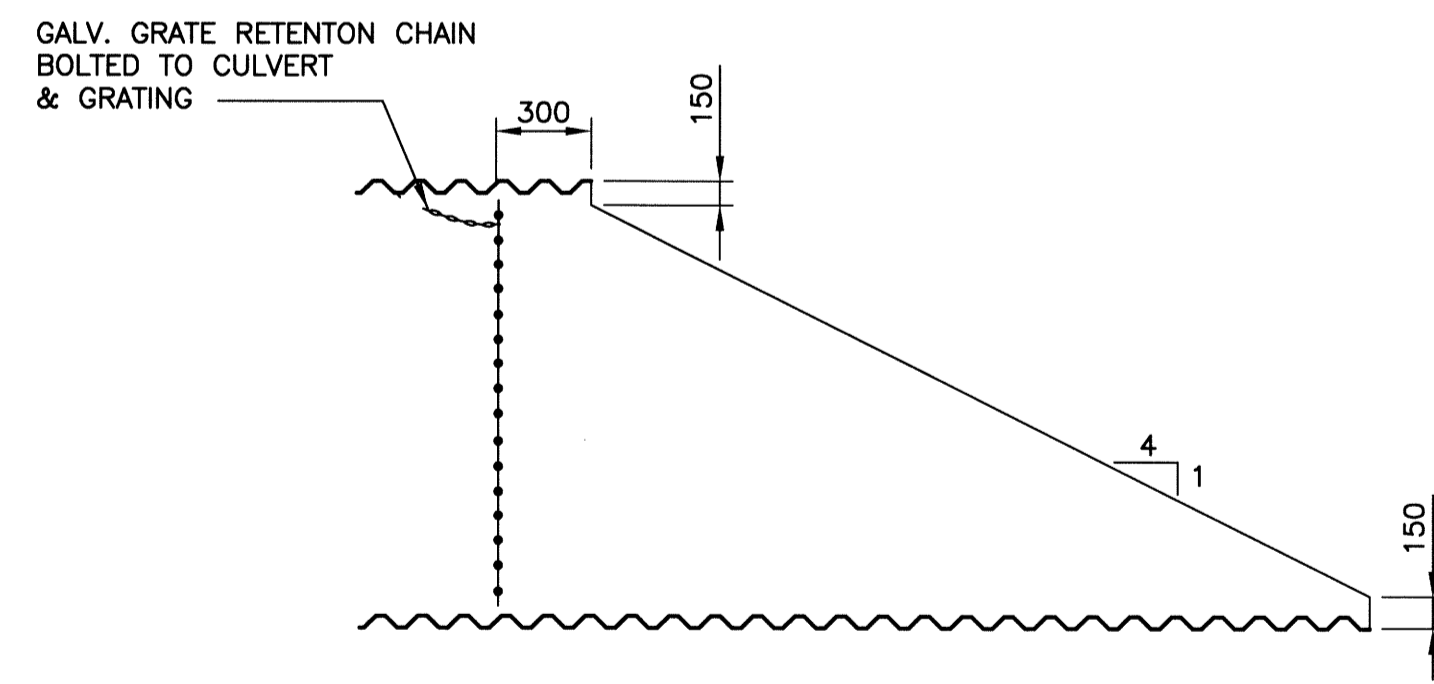
DEBRIS GRATE SCHEDULE									
LOCATION	PIPE		GRATING						
	DIAMETER D	MATERIAL	DIAMETER D1	BAR DIA.	A	B	C	N	WEIGHT (lbs)
LEADS TO CB2 & CB3	600	CSP	588	15	150	138	150	2	22
LEAD TO CB4	750	CSP	736	15	150	90	135	3	25

NOTE:
 1. ALL PLATES AND BARS ARE CSA G40.21-300W.
 2. ALL COMPONENTS ARE GALVANIZED.
 3. ALL BOLTS TO BE TYPE 316 STAINLESS STEEL CONFORMING TO ASTM A320 GRADE B8M

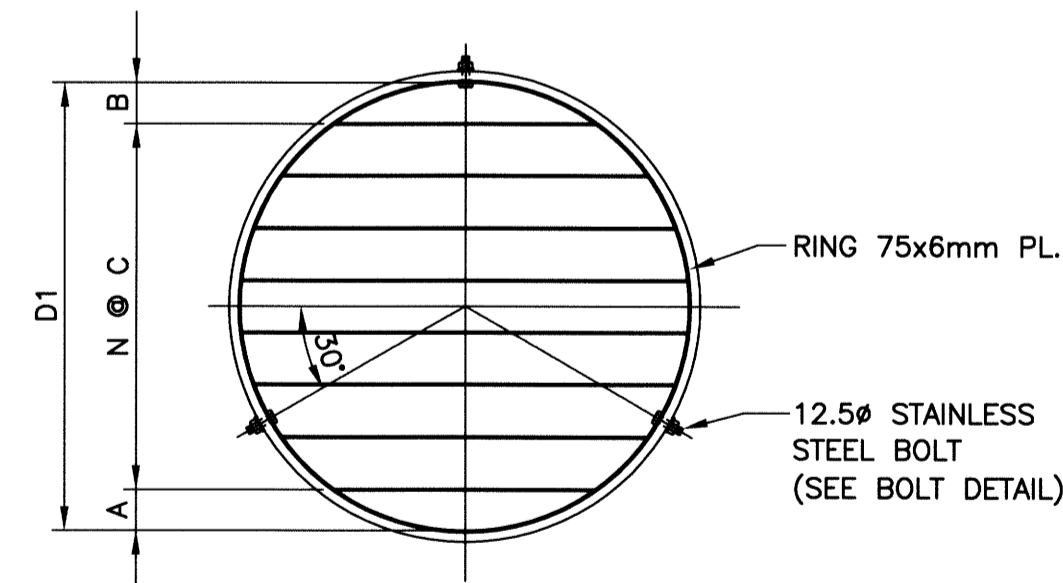
STANDARD DEBRIS GRATE DETAILS



12.5Ø STAINLESS STEEL BOLT DETAILS



STANDARD PIPE END DETAIL
SCALE: N.T.S.



STANDARD GRATE TYPE
SCALE: N.T.S.

NOTE:
 1. ALL WORK SHALL BE PERFORMED IN ACCORDANCE WITH THE CITY OF WINNIPEG STANDARD CONSTRUCTION SPECIFICATIONS

APEGN
 Certificate of Authorization
 KGS Group
 No. 245

B.M. BRASS PLATE LOCATED IN GRADE BEAM OF ADMINSTRATON BUILDING ELEV. 234.059			
00	ISSUED FOR TENDER	06/2014	EMS
NO.	REVISIONS	DATE	DESIGN/CHECK

CH2MHILL.	
DESIGNED BY: EMS	CHECKED BY: BJM
DRAWN BY: DMW	APPROVED BY: RJH
SCALE: AS NOTED	RELEASED FOR CONSTRUCTION BY:
DATE: 2014/06/27	DATE:
CONSULTANT NO.: 13-0338-002	

ENGINEER'S SEAL

 JUN 25 2014

THE CITY OF WINNIPEG WATER AND WASTE DEPARTMENT			
SOUTH END WATER POLLUTION CONTROL CENTRE SEWPPC UPGRADE/EXPANSION PROJECT CML MISCELLANEOUS DETAILS			
CITY DRAWING NUMBER	SHEET	REV.	SIZE
1-0102-DTL-A001	003	00	A1