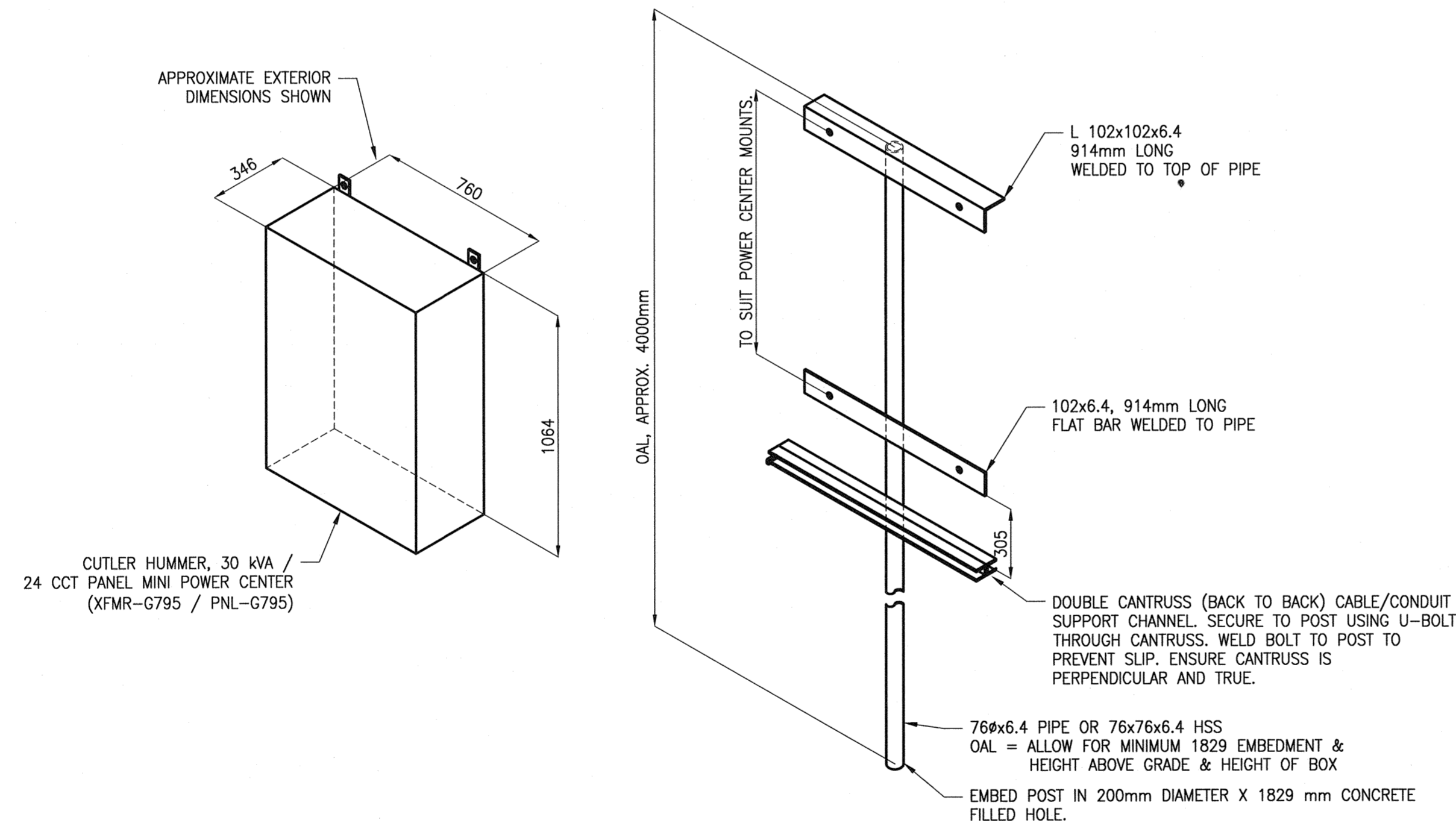


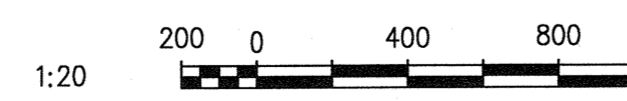
PANEL ID: PNL-G795		AMPS: 100A	VOLTS: 120/208V	PHASE: 3Ø	WIRE: 4W	SURF. MOUNT <input type="checkbox"/>	TOP FED <input type="checkbox"/>												
DESCRIPTION: PARKING LOT		LOCATION: EXTERIOR TEMPORARY PARKING																	
MFG / MODEL: MINI POWER CENTER, C.H P60G28T30CUB		INTERRUPTING RATING: 10 KAIC																	
MAIN BREAKER: 100A, BAB3100H		INST. SETTINGS: N/A																	
CCT.	DESCRIPTION	NOTE	WIRE (AWG)	BKRK AMPS	LOAD (VA)	A	B	C	LOAD (VA)	BKRK AMPS	WIRE (AWG)	NOTE	DESCRIPTION	CCT.					
1	PARKING RECEPTACLE			15	1300				1300	15			PARKING RECEPTACLE	2					
3	PARKING RECEPTACLE			15	1300				1300	15			PARKING RECEPTACLE	4					
5	PARKING RECEPTACLE			15	1300				1300	15			PARKING RECEPTACLE	6					
7	PARKING RECEPTACLE			15	1300				1300	15			PARKING RECEPTACLE	8					
9	PARKING RECEPTACLE			15	1300				1300	15			PARKING RECEPTACLE	10					
11	PARKING RECEPTACLE			15	1300				1300	15			PARKING RECEPTACLE	12					
13	PARKING RECEPTACLE			15	1300				15				SPARE	14					
15	PARKING RECEPTACLE			15	1300				15				SPARE	16					
17	SPARE			15					15				SPARE	18					
19	SPARE			15					15				SPARE	20					
21	SPARE			15					15				SPARE	22					
23	SPARE			15					15				SPARE	24					
TOTAL CONNECTED LOAD:		000.0 KVA		PHASE A: 6.5 kVA		54.2 A		000.0 A (AVG)		PHASE B: 6.5 kVA		43.3 A		000.0 A (MAX)		PHASE C: 6.5 kVA		43.3 A	
NOTES:																			



DETAIL 1: MINI POWER CENTER SUPPORT
SCALE: 1 : 20

GENERAL NOTES

- REFER TO DRAWINGS 1-0102-ESLD-A001 AND 1-0102-ELYT-A001.



DESIGNED BY: D. BECKER DRAWN BY: M.J. PERSSON SCALE: AS SHOWN DATE: 2014/06/27		CHECKED BY: E. RYCKOWSKI APPROVED BY: E. RYCKOWSKI ISSUED FOR CONSTRUCTION DATE:		SOUTH END WATER POLLUTION CONTROL CNETRE SEWPCC UPGRADING/EXPANSION PROJECT PANEL BOARD SCHEDULES & DETAILS TEMPORARY SITE PARKING		CITY DRAWING NUMBER: 1-0102-ESCH-A001	
00 ISSUED FOR TENDER NO. REVISIONS		06/2014 DATE		DB ER DESIGN CHECK		CONSULTANT NO.: 474248 SHEET: 001 REV: 00 SIZE: A1	