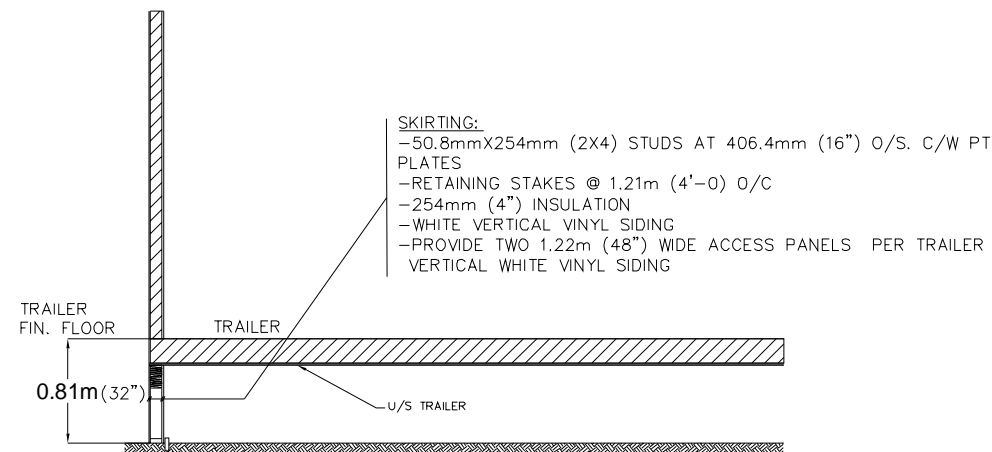


SECTION A LINK ENCLOSURE

- W1 12.5mm (1/2") GIS FIRPLY PAINTED
0.91mmX2.13mm (2X4) STUDS 16" O/C
R-12 INSULATION
V.B.
12.5mm (1/2") GIS FIRPLY PLYWOOD
PAINTED
- R1 THERMO-FUSIBLE MEMBRANE
12.5mm(1/2") PLYWOOD SHEATHING
50.8mmX152.4mm (2X6) ROOF JOISTS
R-12 INSULATION
V.B.
12.5mm (1/2") GIS FIRPLY PLYWOOD
PAINTED
- F1 50.8mmX203.2mm (2X8) JOIST @
406.4mm (16") O/C PT
50.8mmX152.4 (2X6) DECKING PT
R-12 INSULATION
V.B.
PROTECTIVE SHEETING



SECTION B TRAILER SKIRTING

LOCATION APPROVED
UNDERGROUND STRUCTURES

B.M. ELEV.	
CONSTRUCTION COMPLETION DATE: YYYY MM DD	

SUPV. U/G STRUCTURES COMMITTEE DATE

NOTE:
LOCATION OF UNDERGROUND STRUCTURES AS SHOWN ARE BASED ON THE BEST INFORMATION AVAILABLE BUT NO GUARANTEE IS GIVEN THAT ALL EXISTING UTILITIES ARE SHOWN OR THAT THE GIVEN LOCATIONS ARE EXACT. CONFIRMATION OF EXISTENCE AND EXACT LOCATION OF ALL SERVICES MUST BE OBTAINED FROM THE INDIVIDUAL UTILITIES BEFORE PROCEEDING WITH CONSTRUCTION.

NO.	REVISIONS	DATE	BY

DESIGNED BY	RW	CHECKED BY	-
DRAWN BY	RS	APPROVED BY	-
SCALE:		RELEASED FOR CONSTRUCTION	
HORIZONTAL			
VERTICAL			
DATE	2014 05 29	DATE	
PLOT DATE:	2014 05 29		

ENGINEER'S SEAL	
CONSULTANT DRAWING NUMBER	-



THE CITY OF WINNIPEG
WATER AND WASTE DEPARTMENT
ENGINEERING DIVISION

2014 SEWPCC SITE TRAILERS

SECTIONS

SHEET OF 3 3
CITY DRAWING NUMBER
3-0102-DGAD-A0-03-000