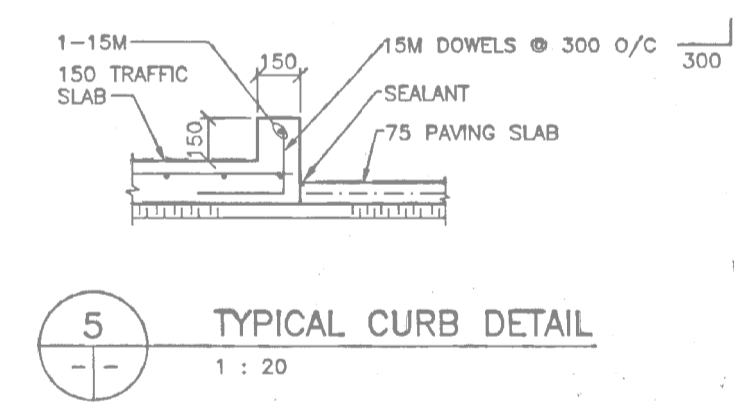
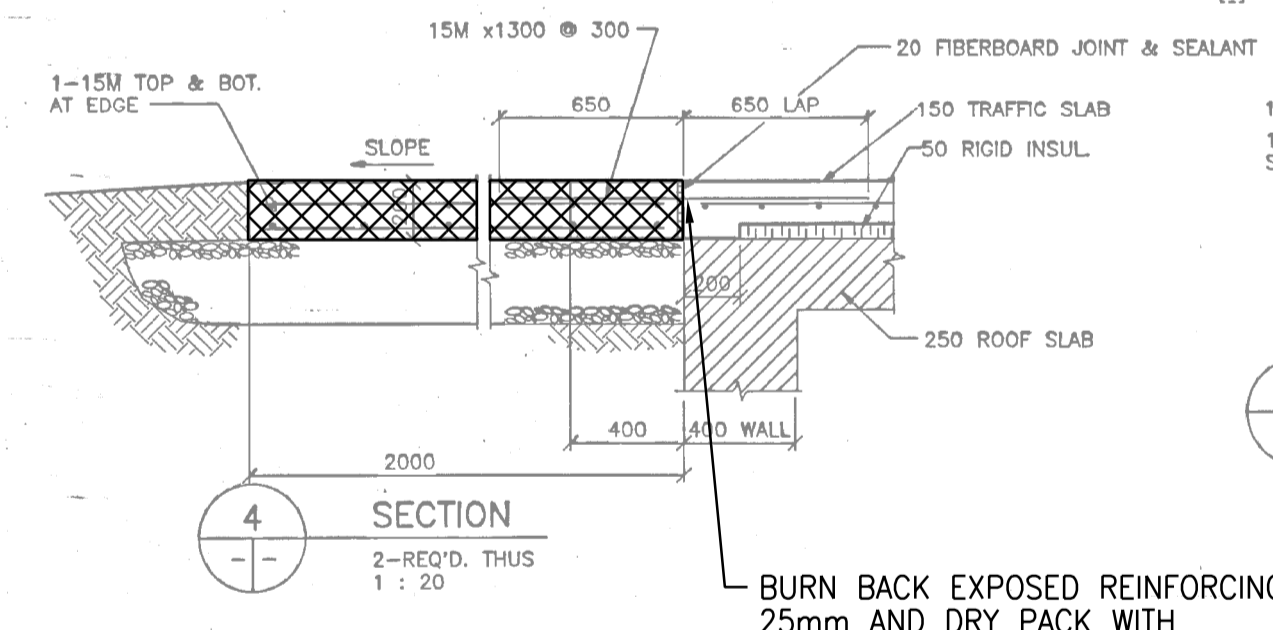
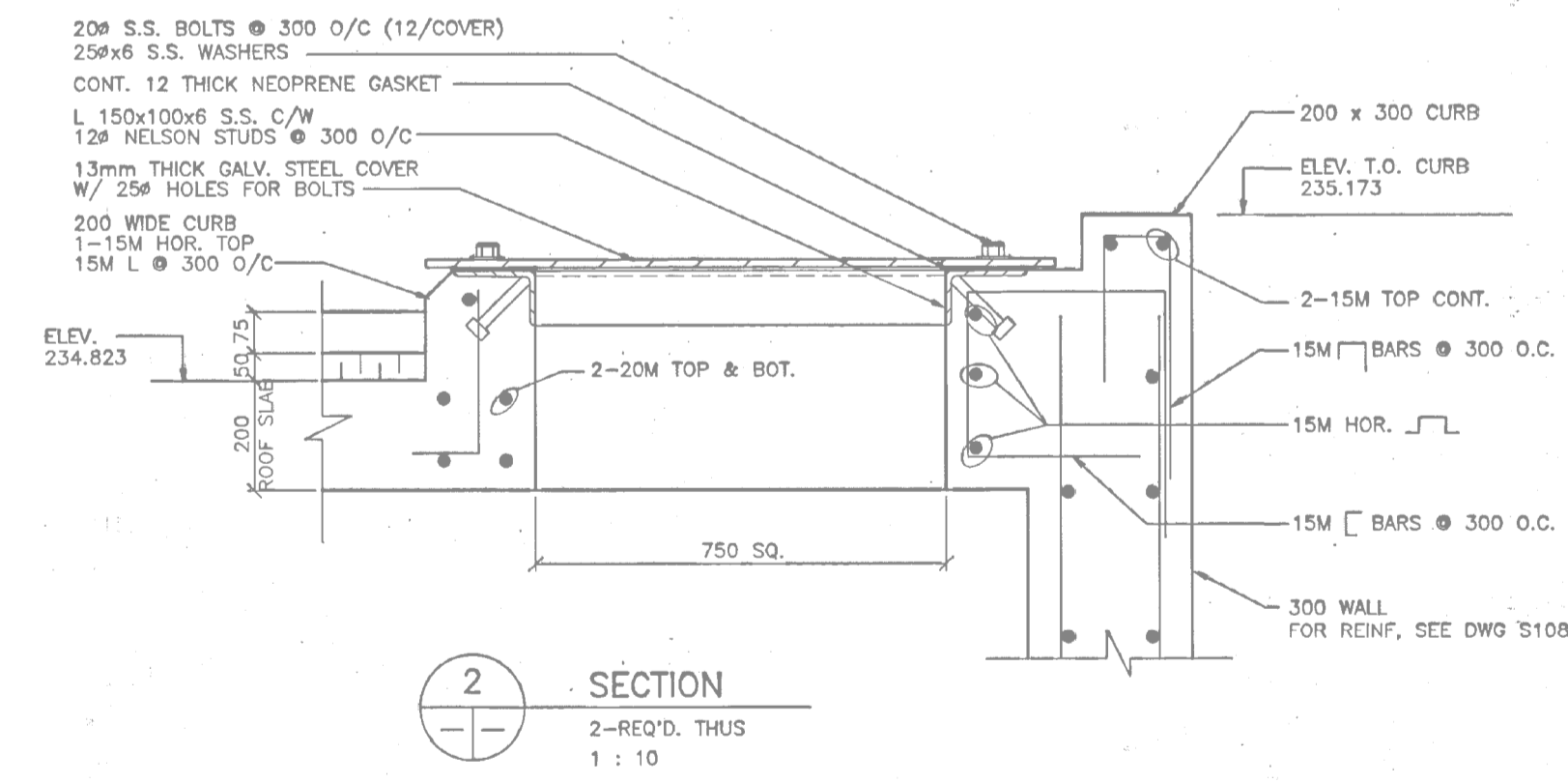


- NOTES:
1. FOR DETAILS AND LOCATIONS OF MECHANICAL PENETRATIONS THROUGH ROOF, SEE DWG. R-M101.
 2. FOR GENERAL NOTES, SEE DWG S101.
 3. REACTOR DECK SAW CUTS SEALED WITH SIKA 12 SL ON HORIZONTAL SURFACES AND SIKAFLEX 1-a ON VERTICAL SURFACES. ETHAFORM BACKER ROD PLACED IN ALL JOINTS.

AS CONSTRUCTED
 DATE SEPTEMBER 1993 BY C.J.A.
 APPROVED BY *Charles Allman*



KEY PLAN
 N.T.S.

PLAN AT EL. 235.200
 NTS REF. DRAWING SEP-340

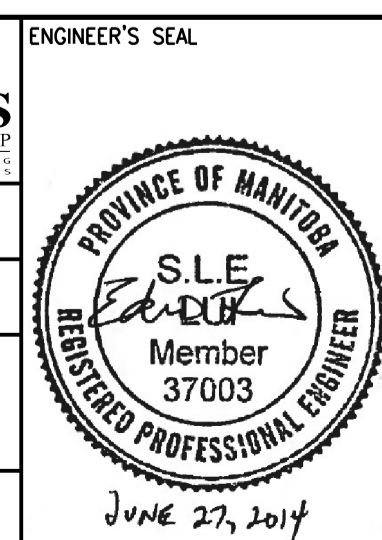
- NOTES:
1. REFER TO DRAWING 4-0102-DGAD-A001 FOR DEMOLITION NOTES AND LEGEND.
 2. DESIGN AND PROVIDE OPEN GRATING ALUMINUM OR FRP STAIRWAY WITH RAILING. DESIGN IN ACCORDANCE WITH NBC. SUBMIT SHOPDRAWINGS SEALED BY A STRUCTURAL ENGINEER LICENSED IN THE PROVINCE OF MANITOBA. STAIRWAY SHALL BE IN PLACE PRIOR TO BLOCKING NEARBY MEANS OF EGRESS AND TRANSFERRED TO NEXT CONTRACT.
 3. REFER TO DRAWING 4-0102-DGAD-S004 FOR OPENINGS THROUGH WALL AND SLAB DETAILS.
 4. FIELD VERIFY DIMENSIONS AND ELEVATIONS PRIOR TO FABRICATION.

APEGM
 Certificate of Authorization
 CH2M HILL Canada Ltd.
 No. 1441

NO.	REVISIONS	DATE	DESIGN	CHECK
00	ISSUED FOR TENDER	06/2014	G.O.	B.W.

CH2MHILL

DESIGNED BY: E. LUJ	CHECKED BY: B. WILLIAMSON
DRAWN BY: G. OMORI	APPROVED BY: J. CHENG
SCALE: NTS	ISSUED FOR CONSTRUCTION BY:
DATE: 2014/06/27	DATE:
CONSULTANT NO.: 474248	



THE CITY OF WINNIPEG
 WATER AND WASTE DEPARTMENT

SOUTH END WATER POLLUTION CONTROL CENTRE
 SEWPCC UPGRADING/EXPANSION PROJECT
 GENERAL
 OXYGEN REACTOR
 PLAN AND SECTION

CITY DRAWING NUMBER: 4-0102-DGAD-D010
 SHEET: 001
 REV: 00
 SIZE: A1

