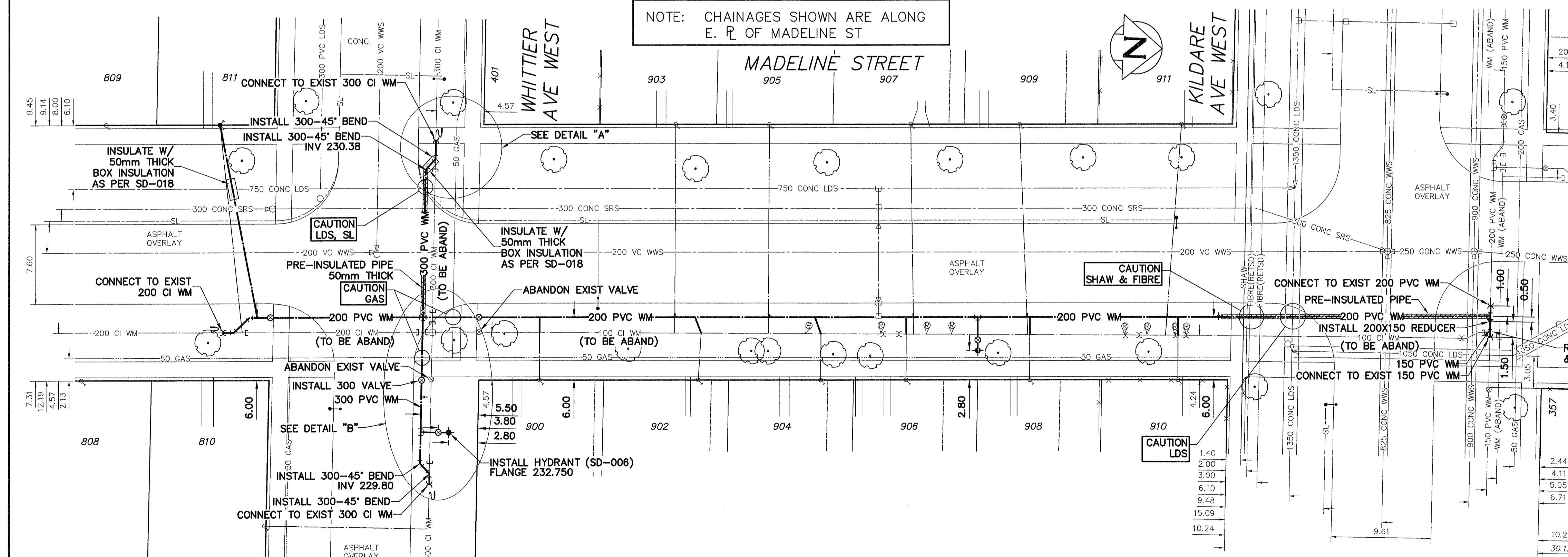
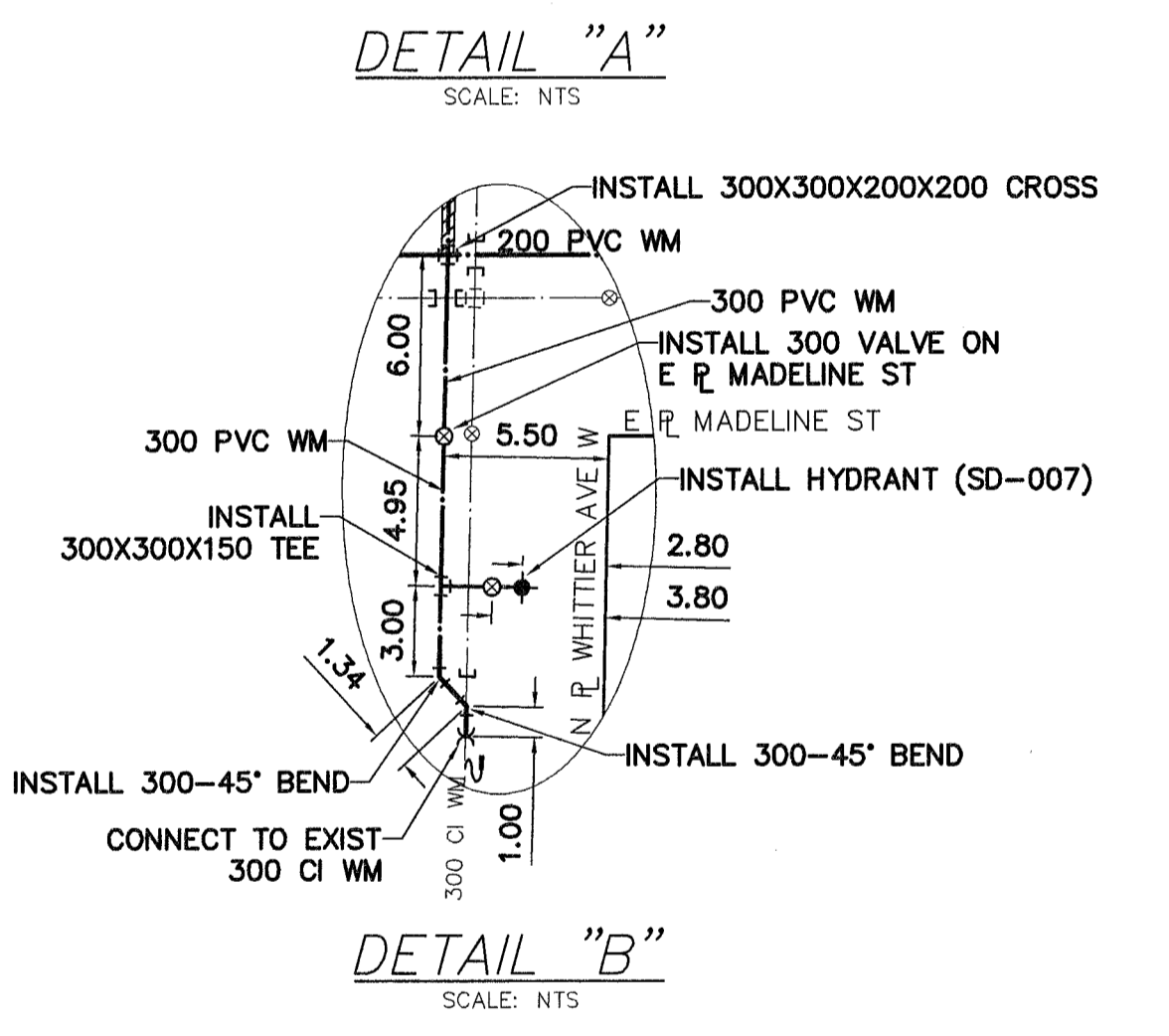
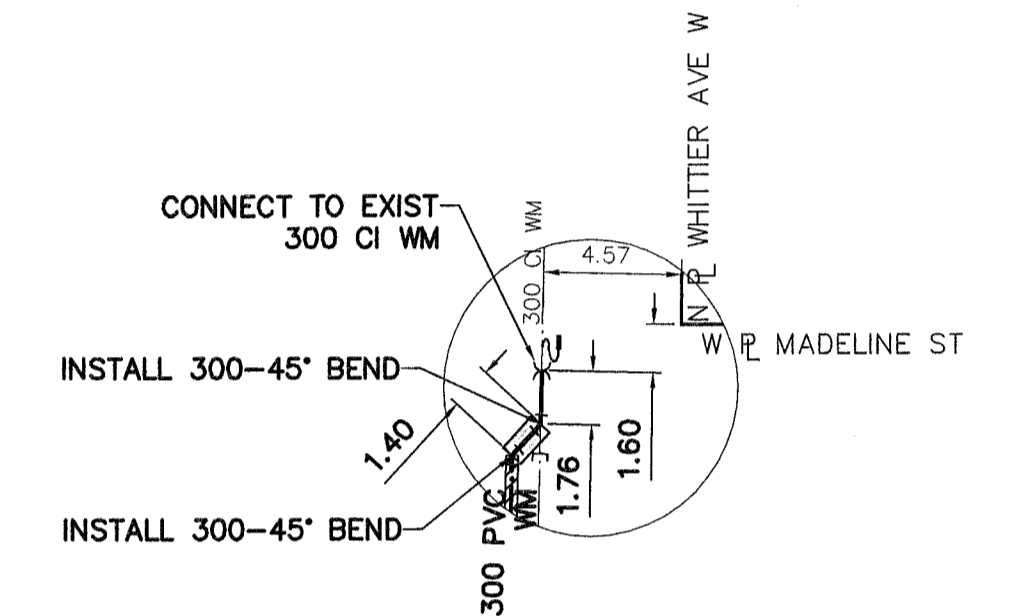


WATER SERVICE INFORMATION

ADDRESS	SIZE (mm)	SIZE (mm)	MATERIAL	MATERIAL	SHORT & LONG MEASUREMENT	CORPORATION LOCATION	REMARKS
810 MADELINE ST RESIDENTIAL	16	16	LEAD	1.5 FROM HSE FRONT			
811 MADELINE ST RESIDENTIAL	20	20	CU	2.3 S N HSE LINE		2.29 N S/C	PREVIOUSLY FROZEN RENEW TO PROPERTY
900 MADELINE ST RESIDENTIAL	20	20	CU	2.7 N S HSE LINE			
902 MADELINE ST RESIDENTIAL	20	20	CU	7.8 FROM HSE FRONT			
903 MADELINE ST RESIDENTIAL	20	20	CU	1.5 S N HSE LINE		OPP S/C	REVERSE TAP
904 MADELINE ST RESIDENTIAL	20	20	CU	1.8 S N HSE LINE			
905 MADELINE ST RESIDENTIAL	20	20	CU	7.3 FROM HSE FRONT			
906 MADELINE ST RESIDENTIAL	20	20	CU	2.1 S N HSE LINE			
907 MADELINE ST RESIDENTIAL	20	20	CU	7.9 FROM HSE FRONT			
908 MADELINE ST RESIDENTIAL	20	20	CU	3.7 S N HSE LINE			PREVIOUSLY RENEWED ON PROPERTY
909 MADELINE ST RESIDENTIAL	20	20	CU	5.6 FROM HSE FRONT			
910 MADELINE ST RESIDENTIAL	20	20	CU	2.8 N S HSE LINE			
911 MADELINE ST RESIDENTIAL	20	20	CU	7.8 FROM HSE FRONT		1.22 S S/C	PREVIOUSLY RENEWED REVERSE TAP
401 WHITTIER AV W RESIDENTIAL	12	12	CU	6.2 FROM HSE FRONT		OPP S/C	
	12	12	CU	1.8 S N BLDG LINE			
	12	12	CU	1.7 S N HSE LINE		1.22 S S/C	REVERSE TAP
	12	12	CU	7.9 FROM HSE FRONT			

NOTE: REPLACE ALL EXISTING LEAD SERVICES FROM THE PROPOSED WATERMAIN TO PROPERTY LINE. RECONNECT ALL OTHER SERVICES UNLESS NOTED. LOCATION OF WATER SERVICES SHOWN ON DRAWINGS ARE APPROXIMATE. THE CONTRACTOR SHALL FIELD LOCATE ALL WATER SERVICES PRIOR TO CONSTRUCTION.



NOTE: CHAINAGES SHOWN ARE ALONG E. P. OF MADELINE ST

AECOM
 Certificate of Authorization
 AECOM Canada Ltd.
 No. 4671 Date: 2014/04/07
 ALL VALVES TO BE CLOCKWISE TO CLOSE (BLACK OPERATING NUT)

WARNING
 IF POWER EQUIPMENT OR EXPLOSIVES ARE TO BE USED FOR EXCAVATION ON THIS PROJECT THE CONTRACTOR MUST:
 1) NOTIFY THE GAS COMPANY OF THE PROPOSED LOCATION OF EXCAVATION.
 2) TAKE PRECAUTION TO AVOID DAMAGE TO GAS COMPANY INSTALLATIONS.
 SEE PROVINCIAL REGULATION 210/72 FOR DETAILS

LOCATION APPROVED
 UNDERGROUND STRUCTURES
 SUPV. U/G STRUCTURES COMMITTEE DATE
 NOTE:
 LOCATION OF UNDERGROUND STRUCTURES AS SHOWN ARE BASED ON THE BEST INFORMATION AVAILABLE BUT NO GUARANTEE IS GIVEN THAT ALL EXISTING UTILITIES ARE SHOWN OR THAT THE GIVEN LOCATIONS ARE EXACT. CONFIRMATION OF EXISTENCE AND EXACT LOCATION OF ALL SERVICES MUST BE OBTAINED FROM THE INDIVIDUAL UTILITIES BEFORE PROCEEDING WITH CONSTRUCTION.

METRIC
 WHOLE NUMBERS INDICATE MILLIMETRES
 DECIMALIZED NUMBERS INDICATE METRES
 0.0 5.0 10.0 15.0 20.0 25.0

NO.	ISSUED FOR TENDER	DATE	BY
0	ISSUED FOR TENDER	14/04/07	GSK
A	PRELIMINARY	14/03/28	GSK
NO.	REVISIONS	DATE	BY

DESIGNED BY	CHECKED BY	APPROVED BY	RELEASED FOR CONSTRUCTION
GK	[Signature]	[Signature]	[Signature]
DATE	DATE	DATE	DATE

AECOM
 B.T. WEBER
 REGISTERED ENGINEER
 CONSULTANT DRAWING NUMBER: C-1006

THE CITY OF WINNIPEG
 WATER AND WASTE DEPARTMENT
 ENGINEERING DIVISION
 2014 WATER RENEWALS
 CONTRACT 1
 MADELINE STREET
 WHITTIER AVENUE WEST TO
 KILDARE AVENUE WEST

SHEET 7 OF 13
 CITY DRAWING NUMBER
 D-13548