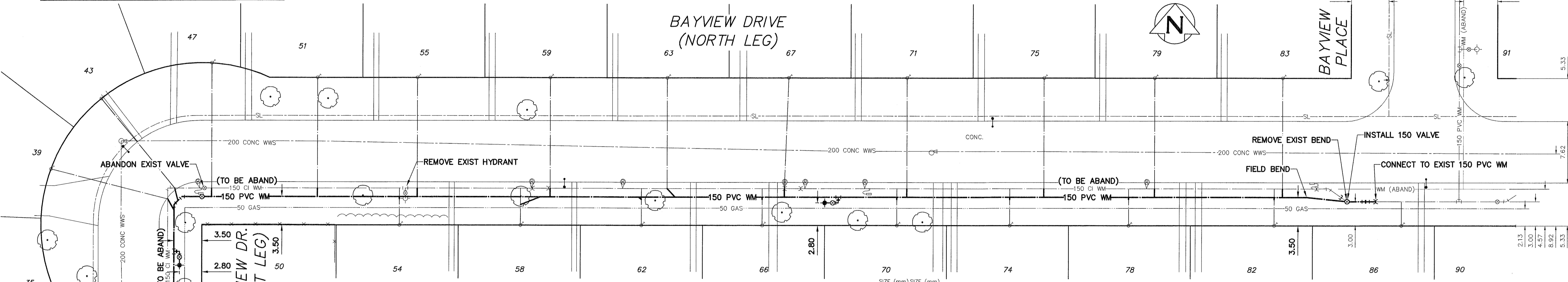


NOTE: CHAINAGES SHOWN ARE ALONG S. P. OF BAYVIEW DR (N LEG)



WATER SERVICE INFORMATION

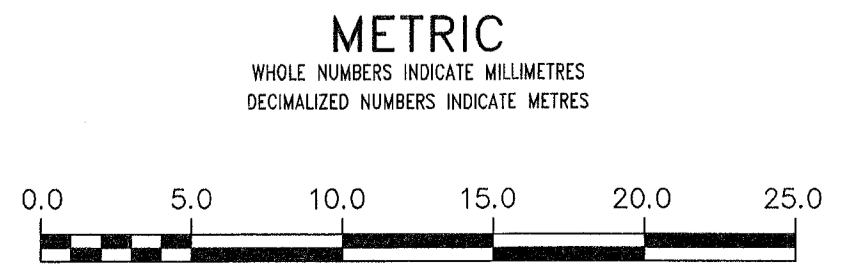
ADDRESS	SIZE (mm) MATERIAL (STREET)	SIZE (mm) MATERIAL (PROP.)	SHORT & LONG MEASUREMENT	CORPORATION LOCATION	REMARKS
43 BAYVIEW DR RESIDENTIAL	20 CU	20 CU	5.2 E W HSE LINE		
47 BAYVIEW DR RESIDENTIAL	20 CU	20 CU	2.6 W E HSE LINE		
51 BAYVIEW DR RESIDENTIAL	20 CU	20 CU	4.0 W E HSE LINE		
54 BAYVIEW DR RESIDENTIAL	20 CU	20 CU	5.6 E W HSE LINE		
55 BAYVIEW DR RESIDENTIAL	20 CU	20 CU	4.3 E W HSE LINE		
58 BAYVIEW DR RESIDENTIAL	20 CU	20 CU	7.5 W E LOTLINE		
59 BAYVIEW DR RESIDENTIAL	20 CU	20 CU	5.5 W E HSE LINE		
62 BAYVIEW DR RESIDENTIAL	20 CU	20 CU	5.5 E W HSE LINE		
63 BAYVIEW DR RESIDENTIAL	20 CU	20 CU	5.3 E W HSE LINE		
66 BAYVIEW DR RESIDENTIAL	20 CU	20 CU	5.8 E W HSE LINE		
67 BAYVIEW DR RESIDENTIAL	20 CU	20 CU	5.5 FR FRONT HOUSE		
70 BAYVIEW DR RESIDENTIAL	20 CU	20 CU	5.1 E W HSE LINE		
71 BAYVIEW DR RESIDENTIAL	20 CU	20 CU	5.2 W E HSE LINE		
74 BAYVIEW DR RESIDENTIAL	20 CU	20 CU	5.9 E W HSE LINE		
75 BAYVIEW DR RESIDENTIAL	20 CU	20 CU	5.3 W E HSE LINE		
78 BAYVIEW DR RESIDENTIAL	20 CU	20 CU	5.8 W E HSE LINE		
79 BAYVIEW DR RESIDENTIAL	20 CU	20 CU	5.2 E W HSE LINE		
82 BAYVIEW DR RESIDENTIAL	20 CU	20 CU	5.8 FR HOUSE FRONT		
83 BAYVIEW DR RESIDENTIAL	20 CU	20 CU	4.2 W E HSE LINE		
86 BAYVIEW DR RESIDENTIAL	20 CU	20 CU	3.2 W E HSE LINE		SERVICE BOX PREVIOUSLY RENEWED

ADDRESS	SIZE (mm) MATERIAL (STREET)	SIZE (mm) MATERIAL (PROP.)	SHORT & LONG MEASUREMENT	CORPORATION LOCATION	REMARKS
67 BAYVIEW DR RESIDENTIAL	20 CU	20 CU	5.1 E W HSE LINE		
70 BAYVIEW DR RESIDENTIAL	20 CU	20 CU	5.2 W E HSE LINE		
71 BAYVIEW DR RESIDENTIAL	20 CU	20 CU	5.2 E W HSE LINE		
74 BAYVIEW DR RESIDENTIAL	20 CU	20 CU	5.9 E W HSE LINE		
75 BAYVIEW DR RESIDENTIAL	20 CU	20 CU	5.3 W E HSE LINE		
78 BAYVIEW DR RESIDENTIAL	20 CU	20 CU	5.8 W E HSE LINE		
79 BAYVIEW DR RESIDENTIAL	20 CU	20 CU	5.2 E W HSE LINE		
82 BAYVIEW DR RESIDENTIAL	20 CU	20 CU	5.8 FR HOUSE FRONT		
83 BAYVIEW DR RESIDENTIAL	20 CU	20 CU	4.2 W E HSE LINE		
86 BAYVIEW DR RESIDENTIAL	20 CU	20 CU	3.2 W E HSE LINE		SERVICE BOX PREVIOUSLY RENEWED

NOTE: REPLACE ALL EXISTING LEAD SERVICES FROM THE PROPOSED WATERMAIN TO PROPERTY LINE. RECONNECT ALL OTHER SERVICES UNLESS NOTED. LOCATION OF WATER SERVICES SHOWN ON DRAWINGS ARE APPROXIMATE. THE CONTRACTOR SHALL FIELD LOCATE ALL WATER SERVICES PRIOR TO CONSTRUCTION. RENEW SERVICES UNDER ROADWAY WITH LESS THAN 2.5 COVER.



ALL VALVES TO BE CLOCKWISE TO CLOSE (BLACK OPERATING NUT)



WARNING
IF POWER EQUIPMENT OR EXPLOSIVES ARE TO BE USED FOR EXCAVATION ON THIS PROJECT THE CONTRACTOR MUST:
1) NOTIFY THE GAS COMPANY OF THE PROPOSED LOCATION OF EXCAVATION.
2) TAKE PRECAUTION TO AVOID DAMAGE TO GAS COMPANY INSTALLATIONS.
SEE PROVINCIAL REGULATION 210/72 FOR DETAILS

LOCATION APPROVED UNDERGROUND STRUCTURES
SUPV. U/G STRUCTURES COMMITTEE DATE
NOTE:
LOCATION OF UNDERGROUND STRUCTURES AS SHOWN ARE BASED ON THE BEST INFORMATION AVAILABLE BUT NO GUARANTEE IS GIVEN THAT ALL EXISTING UTILITIES ARE SHOWN OR THAT THE GIVEN LOCATIONS ARE EXACT. CONFIRMATION OF EXISTENCE AND EXACT LOCATION OF ALL SERVICES MUST BE OBTAINED FROM THE INDIVIDUAL UTILITIES BEFORE PROCEEDING WITH CONSTRUCTION.

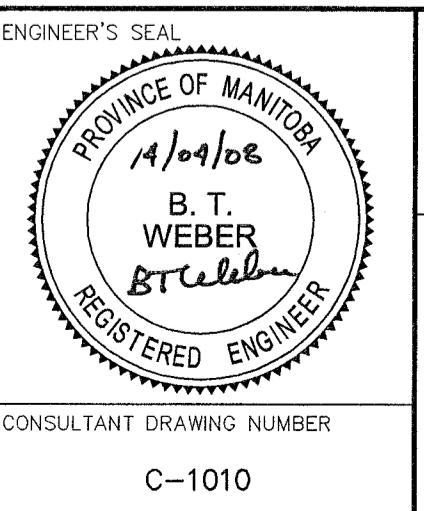
B.M. 10-034 878477 - N. side McMeans Ave. E. of Bayview PL. TWT on top of 0.08 m dia x 2.4 m iron tube, 1.8 m E. of E. well No. 533 McMeans Ave. E. & 5 m S. of N.L. McMeans Ave. E. or 110.9 m E. of W.L. Bayview Pl. & 5 m S. of N.L. McMeans Ave. E.

CONSTRUCTION COMPLETION DATE:

NO.	ISSUED FOR TENDER	DATE	BY
0	ISSUED FOR TENDER	14/04/07	GSK
A	PRELIMINARY	14/03/28	GSK

AECOM

DESIGNED BY: GK
CHECKED BY: [Signature]
DRAWN BY: JP
APPROVED BY: [Signature]
SCALE: HORIZONTAL 1:250
VERTICAL 1:50
RELEASED FOR CONSTRUCTION: [Signature]
DATE: 20/4/14



THE CITY OF WINNIPEG
WATER AND WASTE DEPARTMENT
ENGINEERING DIVISION

2014 WATER RENEWALS
CONTRACT 1
BAYVIEW DRIVE (NORTH LEG)
BAYVIEW DRIVE (WEST LEG) TO BAYVIEW PLACE

SHEET 11 OF 13
CITY DRAWING NUMBER
D-13552