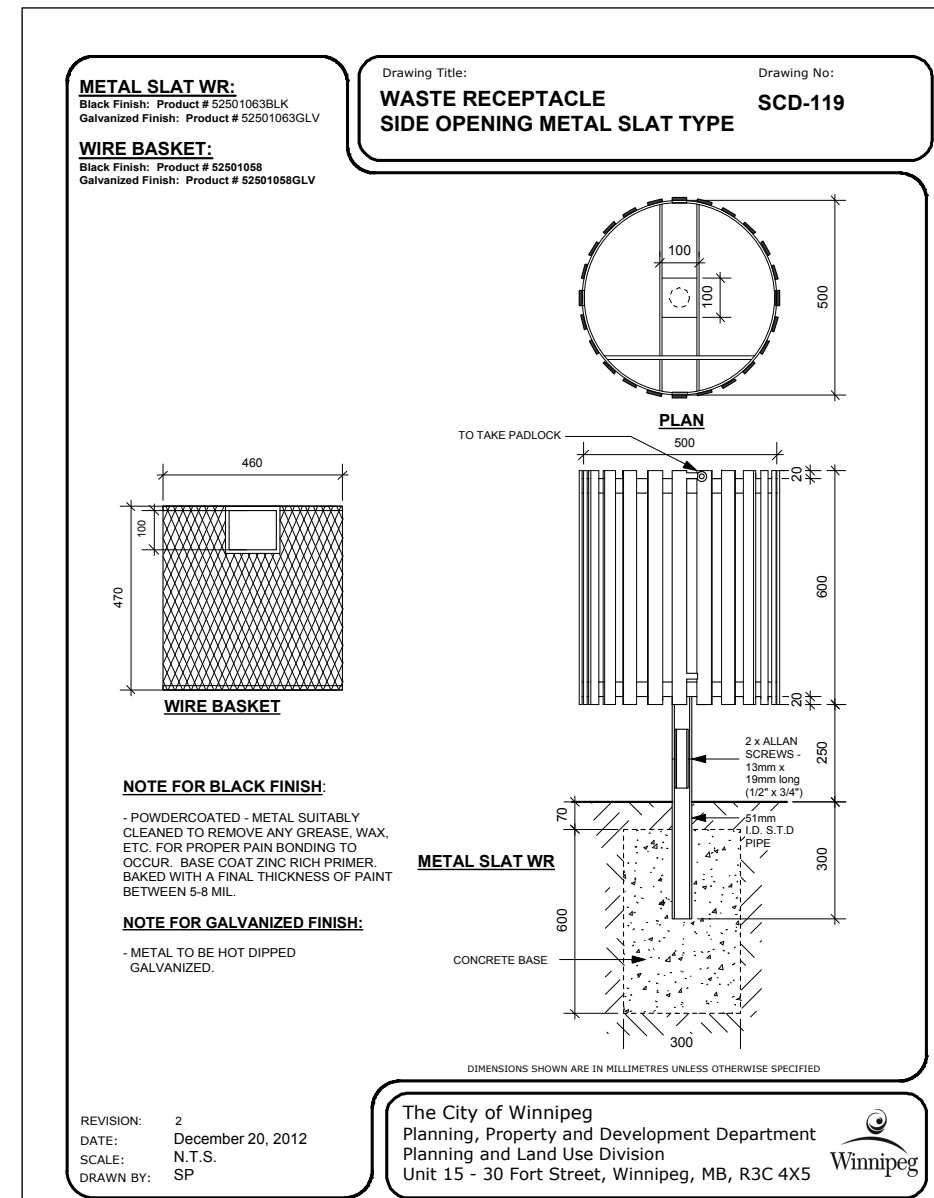
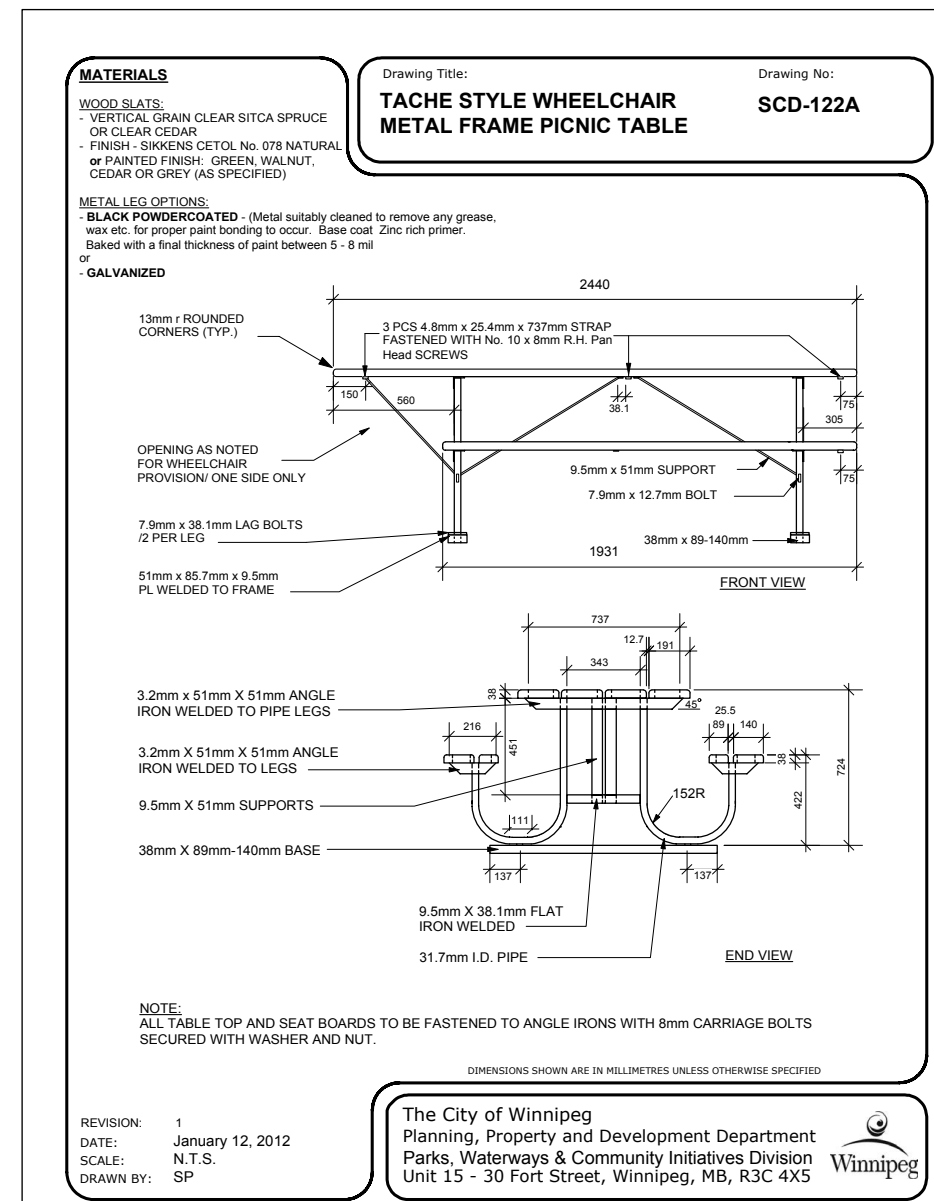


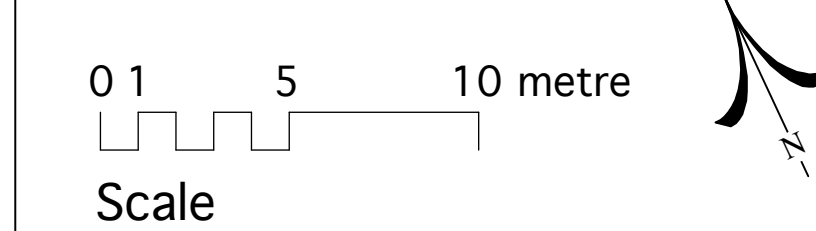
2 BENCH SCD-121E



3 WASTE RECEPTACLE SCD-119



4 ACCESSIBLE PICNIC TABLE SCD-122A



1 DEVELOPMENT PLAN
 L2 Scale: 1:200

David Wagner Associates Inc.
 4 - 430 River Avenue Winnipeg, Manitoba. R3L 0C6 (204) 452-2426
 LANDSCAPE ARCHITECTURE • URBAN DESIGN • GOLF COURSE ARCHITECTURE

© David Wagner Associates Inc. All rights reserved. All drawings are copyright to David Wagner Associates Inc. and may not be reproduced, stored in a retrieval system, or transmitted in any form or by any means, electronic, mechanical, photocopying, recording, or by any information storage and retrieval system, without the prior written permission of David Wagner Associates Inc. This permission does not extend to the use of any drawings or designs for any other project without the prior written permission of David Wagner Associates Inc. The drawings are the property of David Wagner Associates Inc. and shall remain the property of David Wagner Associates Inc. The drawings are to be used only for the project and site for which they were prepared. The drawings are not to be used for any other project or site without the prior written permission of David Wagner Associates Inc. The drawings are not to be used for any other project or site without the prior written permission of David Wagner Associates Inc. The drawings are not to be used for any other project or site without the prior written permission of David Wagner Associates Inc.

Laurie Lamb Wagner
 member no. 38
 THE MANITOBA ASSOCIATION OF LANDSCAPE ARCHITECTS

Location of underground structures as shown are based on the best information available but no guarantee is given that all existing utilities are shown or that the given locations are exact. Confirmation of existence and exact location of all services must be obtained from the individual utilities before proceeding with construction.

DO NOT SCALE - DRAWING PLOT MAY NOT BE AT 100%

RELEASED FOR CONSTRUCTION	DATE:	DESIGNED BY	LLW
		DRAWN BY	LLW
		CHECKED BY	DW
		HORIZONTAL SCALE:	1:200
		DATE	APRIL 10, 2014
NO.	REVISION	DATE	BY
1			

DEVELOPMENT PLAN

PROJECT TITLE
**CENTRAL CC / FREIGHT HOUSE
 PLAYGROUND & SKATEPARK
 200 ISABEL STREET
 WINNIPEG**

CITY DRAWING NO.
 SHEET NO. OF
 L2 OF
 10
 CONSULTANT DRAWING NO.
 1304