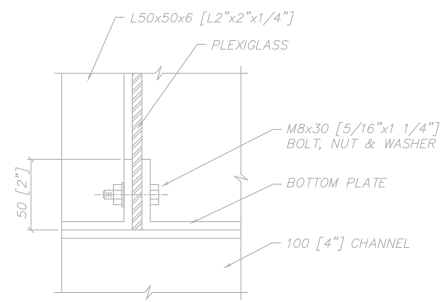
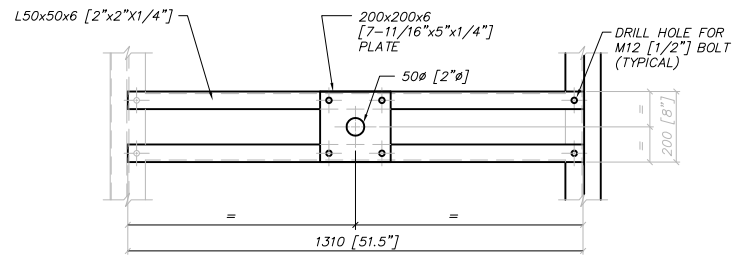


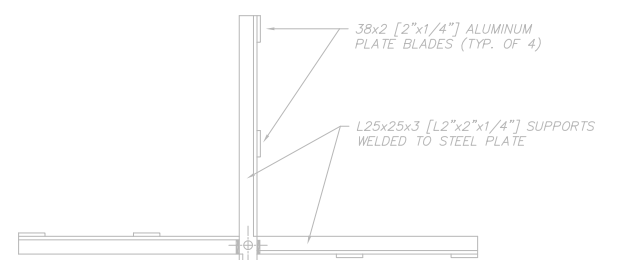
1 RAISED BRACKET DETAIL
- NTS



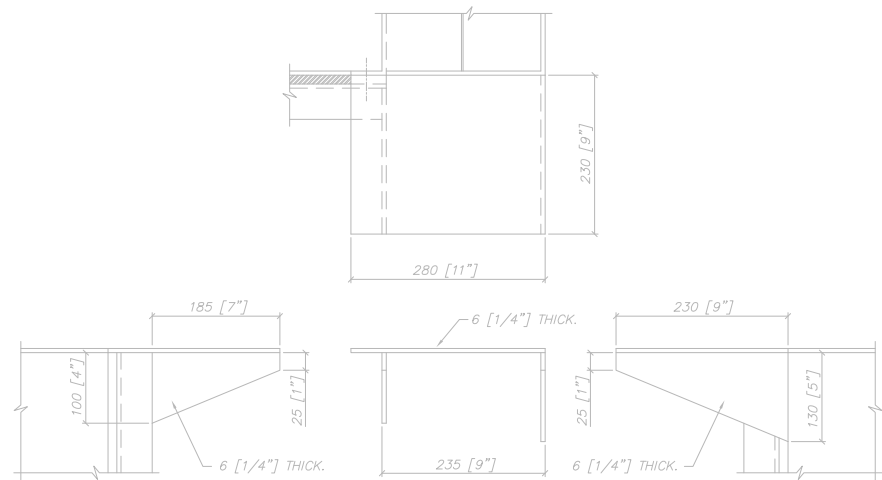
3 DETAIL
- NTS



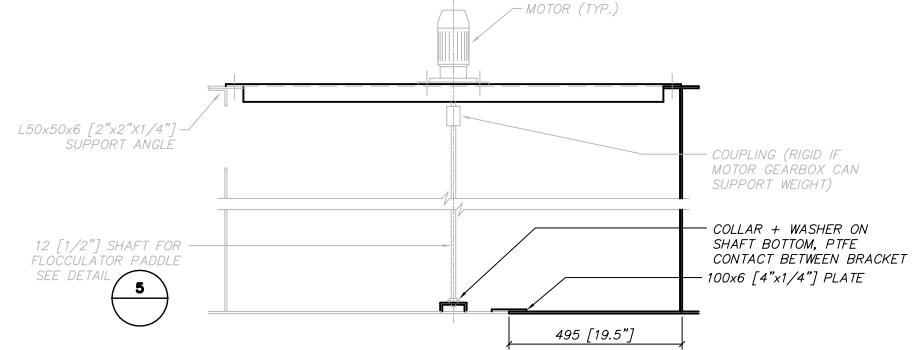
4 MOTOR SUPPORT DETAIL
- NTS



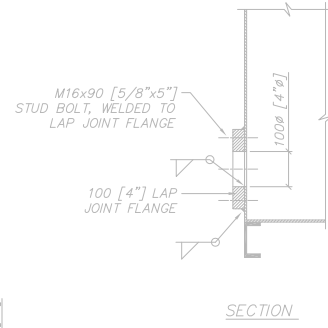
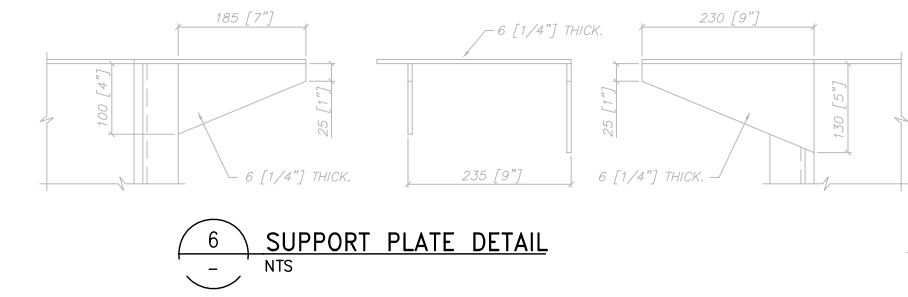
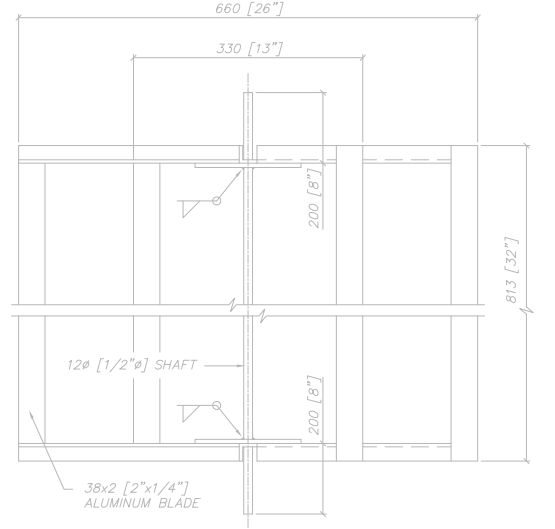
5 FLOCCULATOR PADDLE DETAIL
- NTS



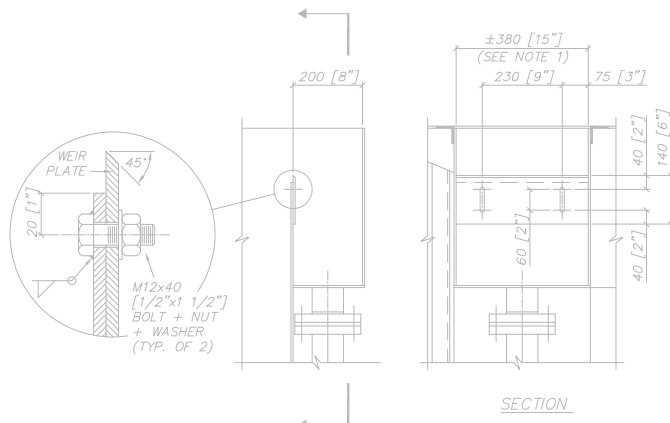
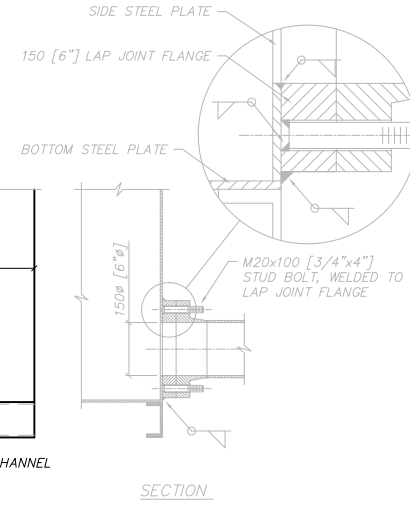
6 SUPPORT PLATE DETAIL
- NTS



NOTE:
RE-INSTALL MOTORS AND MIXERS
CENTERED IN FLOCCULATION CELLS.

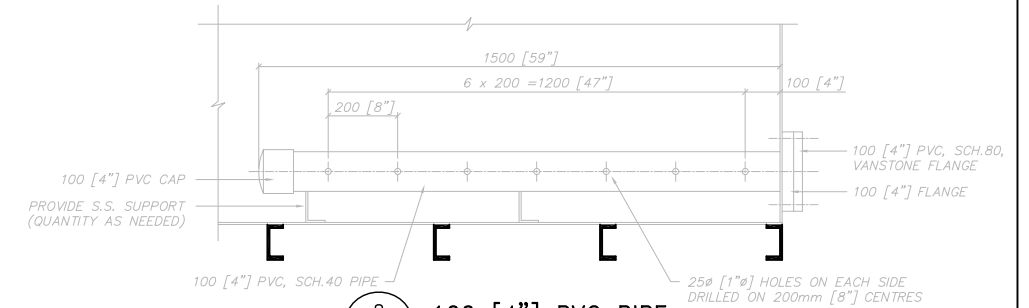
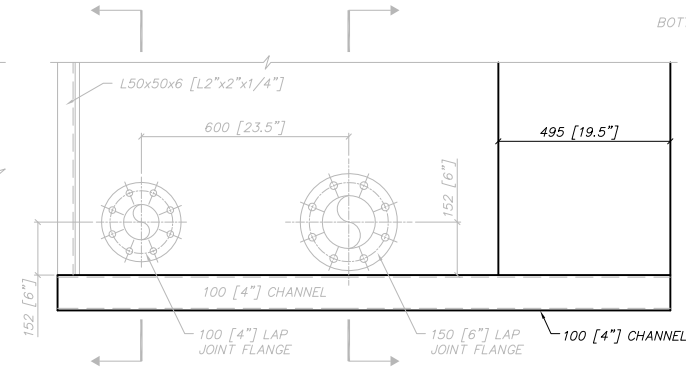


7 FLANGE MOUNTING DETAIL
- NTS



NOTE 1
WEIR PLATE TO BE SIZED TO SUIT
JUST NARROWER THAN TANK WIDTH.

9 DAF ADJUSTABLE WEIR PLATE
- NTS



8 100 [4\"/> PVC PIPE
- NTS

B.M. ELEV.		CH2MHILL.		ENGINEER'S SEAL	
CONSTRUCTION COMPLETION DATE: YYYY MM DD				DESIGNED BY: KG	
		DRAWN BY: JBC		APPROVED BY: BW	
		SCALE: HORIZONTAL 1:50		RELEASED FOR CONSTRUCTION	
		DATE: 2014 03 27		DATE:	
0 ISSUED FOR QUOTATION		14/03/27		CONSULTANT DRAWING NUMBER	
NO. REVISIONS		DATE BY		WX-M0405	
		DATE: 2014 03 27		PLOT DATE: 2014 03 27	

THE CITY OF WINNIPEG WATER AND WASTE DEPARTMENT ENGINEERING DIVISION	
CITY OF WINNIPEG WATER TREATMENT RESEARCH AND PROCESS OPTIMIZATION FACILITY PROCESS MECHANICAL DISSOLVED AIR FLOTATION UNIT DETAILS	SHEET X OF X CITY DRAWING NUMBER 1-0601X-M0007-003-00