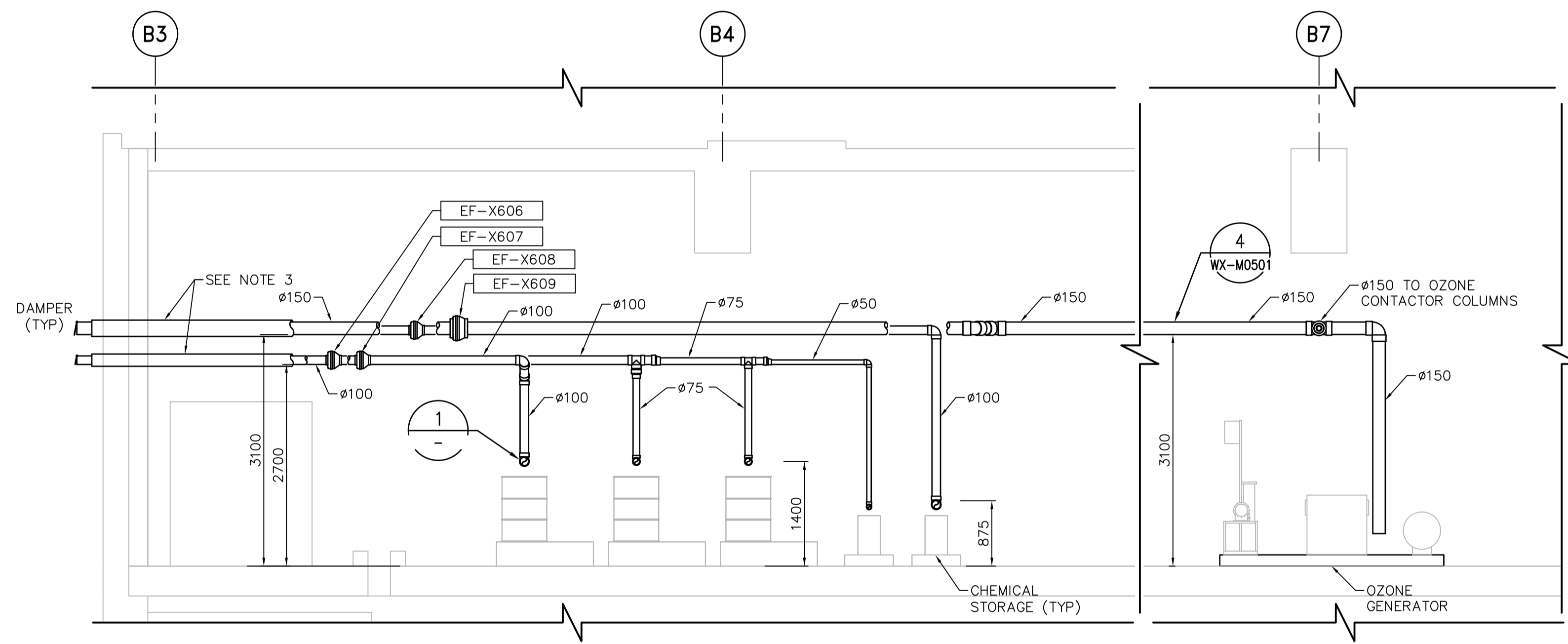
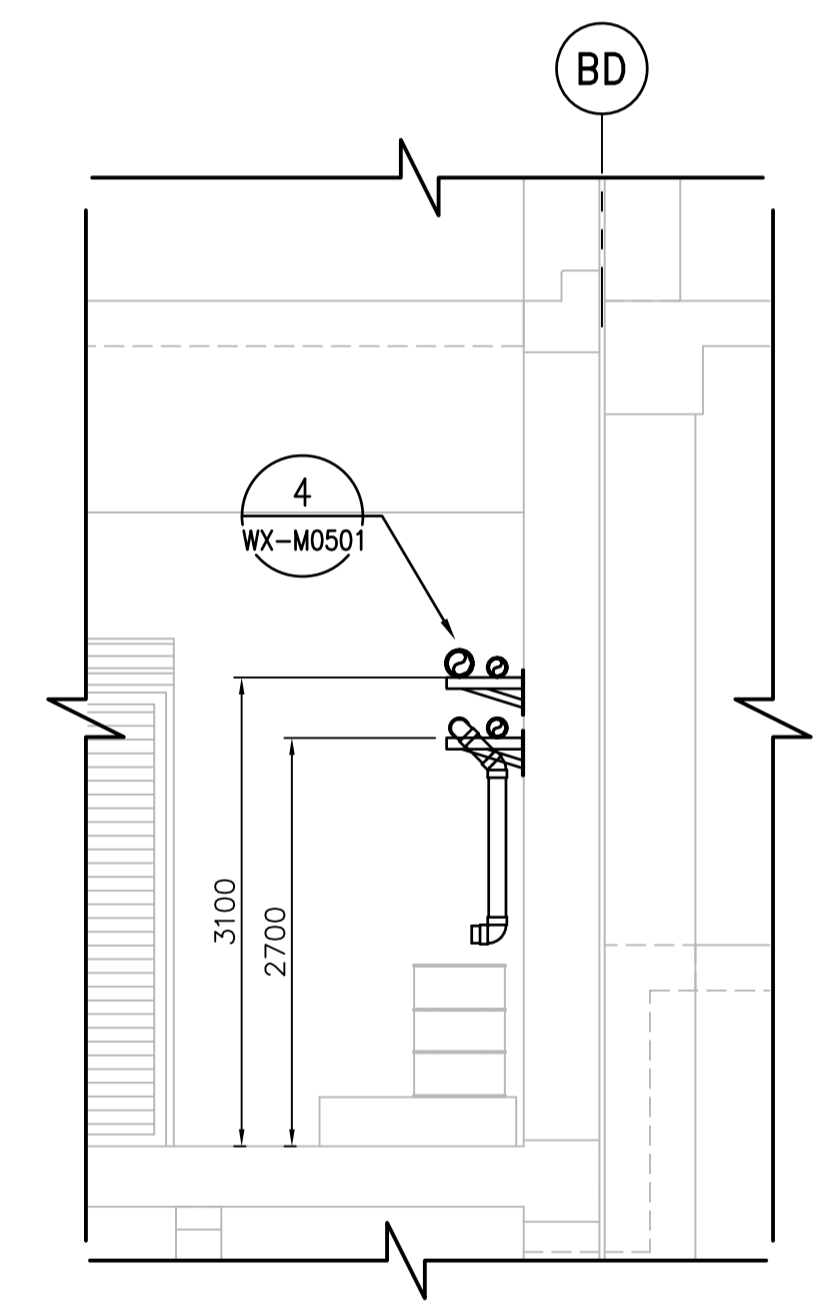


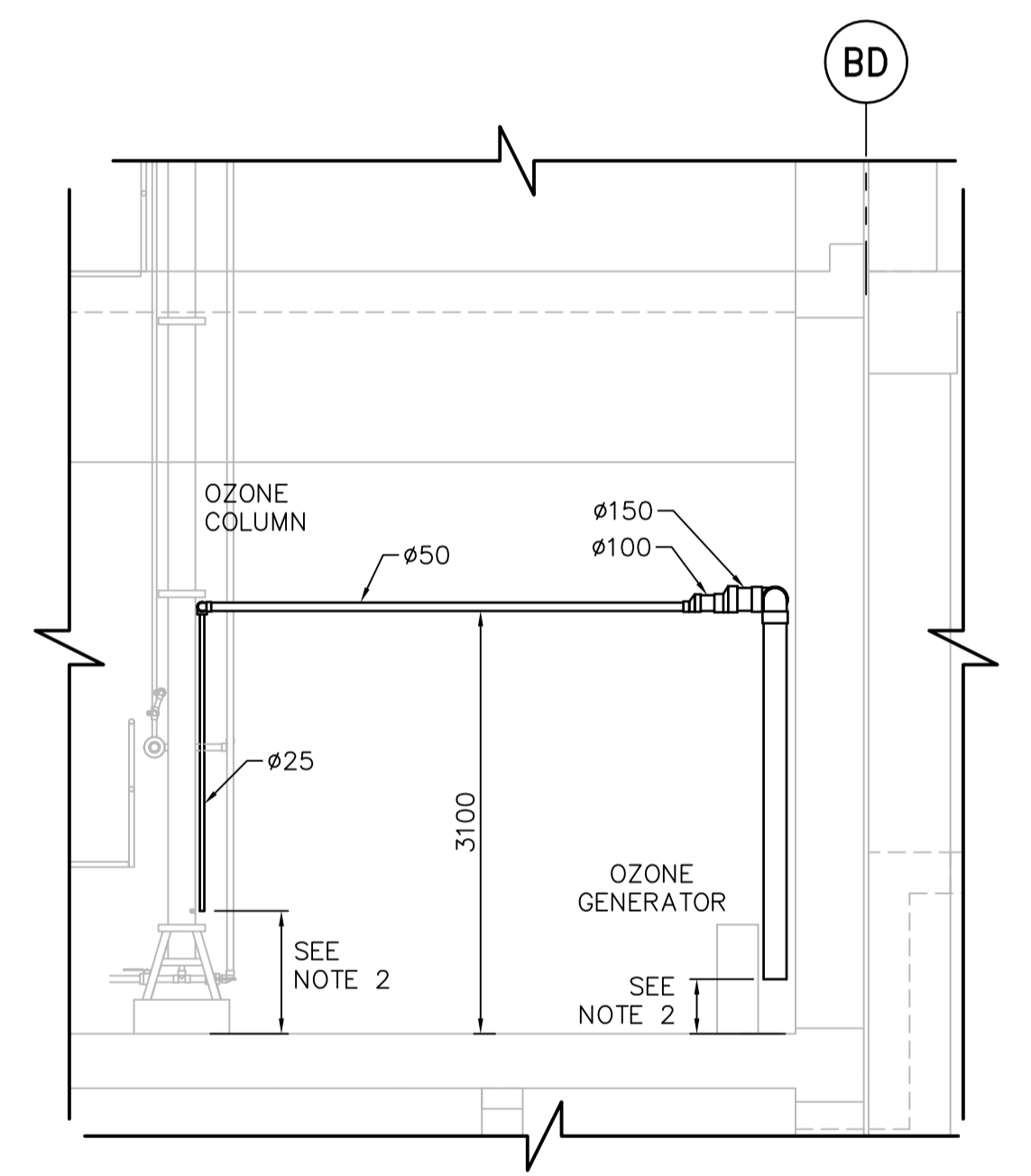
1 PILOT PLANT PLAN
1:50



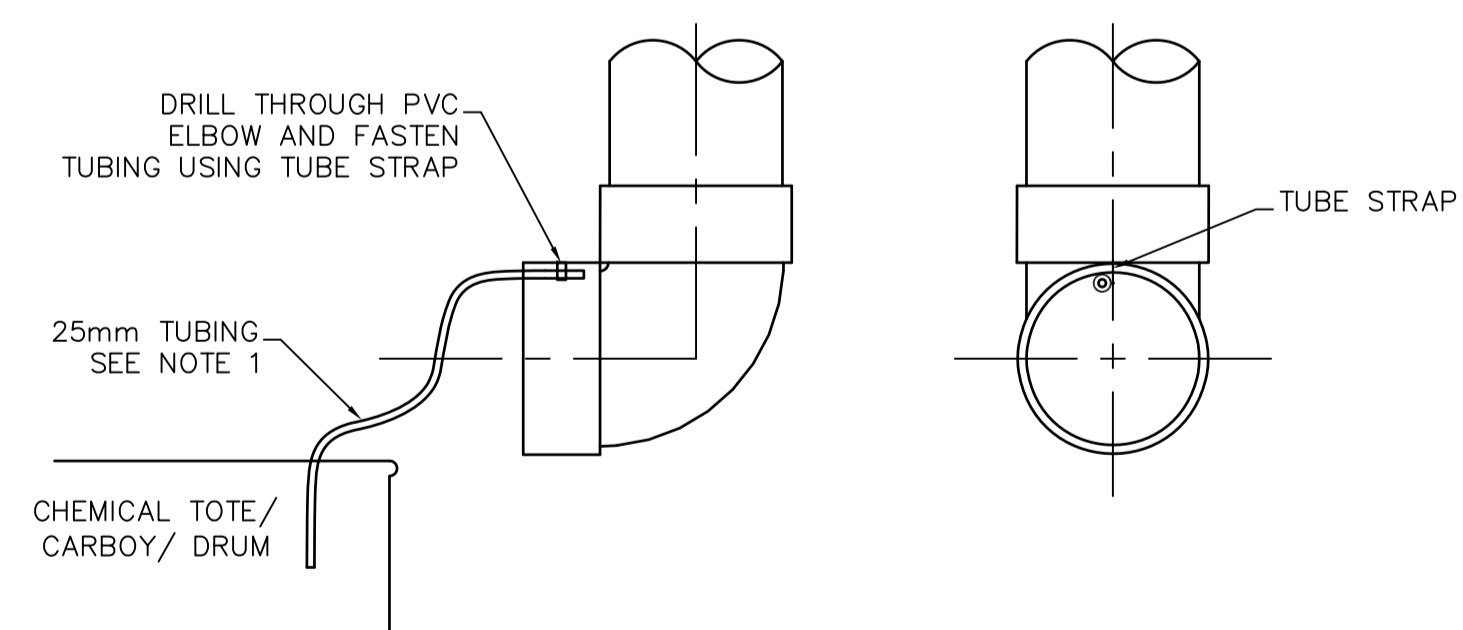
A SECTION
1:50



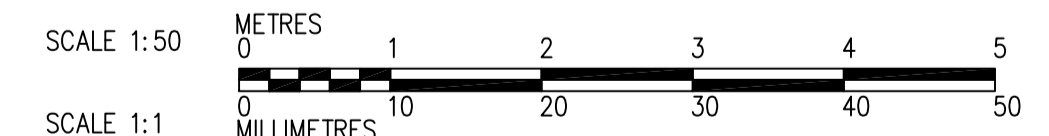
B SECTION
1:50



C SECTION
1:50



1 DETAIL
NTS



- NOTE:
1. INTAKE TUBE TO BE PLACED LOOSELY INSIDE TOTE/ CARBOY/ DRUM.
 2. INTAKE PIPES SHALL BE LOCATED IN CLOSE PROXIMITY OF TO THE POINT AT WHICH OZONE CONTAINING LINES CONNECT TO THE OZONE GENERATOR AND CONTACTORS.
 3. PROVIDE INSULATION/ VAPOUR PROTECTION FOR MIN. 2 METERS BEFORE AN EXTERIOR WALL PENETRATION.



B.M. ELEV.			
CONSTRUCTION COMPLETION DATE: YYYY MM DD			
DESIGNED BY	KG	CHECKED BY	BW
DRAWN BY	JBC	APPROVED BY	BW
SCALE: HORIZONTAL	1:50	RELEASED FOR CONSTRUCTION	
SCALE: VERTICAL	-	DATE	2014 06 13
A ISSUED FOR TENDER	14/06/13	JBC	
NO.	REVISIONS	DATE	BY

CH2MHILL

DESIGNED BY: KG
CHECKED BY: BW
DRAWN BY: JBC
APPROVED BY: BW
SCALE: HORIZONTAL: 1:50, VERTICAL: -
DATE: 2014 06 13

ENGINEER'S SEAL

PROVINCE OF MANITOBA
WILLIAMSON
Member
22264
2013
REGISTERED PROFESSIONAL ENGINEER

CONSULTANT DRAWING NUMBER
WX-H0121

THE CITY OF WINNIPEG
WATER AND WASTE DEPARTMENT
ENGINEERING DIVISION

CITY OF WINNIPEG WATER TREATMENT RESEARCH AND PROCESS OPTIMIZATION FACILITY
HVAC
PARTIAL PLAN AND SECTIONS

SHEET X OF X
CITY DRAWING NUMBER
1-0601X-H0002-001-00