

TK-X210
DAF TANK
DAF AREA: 0.93m²
TANK LENGTH: 2.43m
TANK WIDTH : 1.70m
TANK HEIGHT: 1.63m

P-X201
DAF RECYCLE PUMP
CAPACITY: 3.4m³/hr.
HEAD: 82m

TK-X220
DAF SATURATOR
HEIGHT: 1.1m APPROX.
PRESSURE: 800 kPa

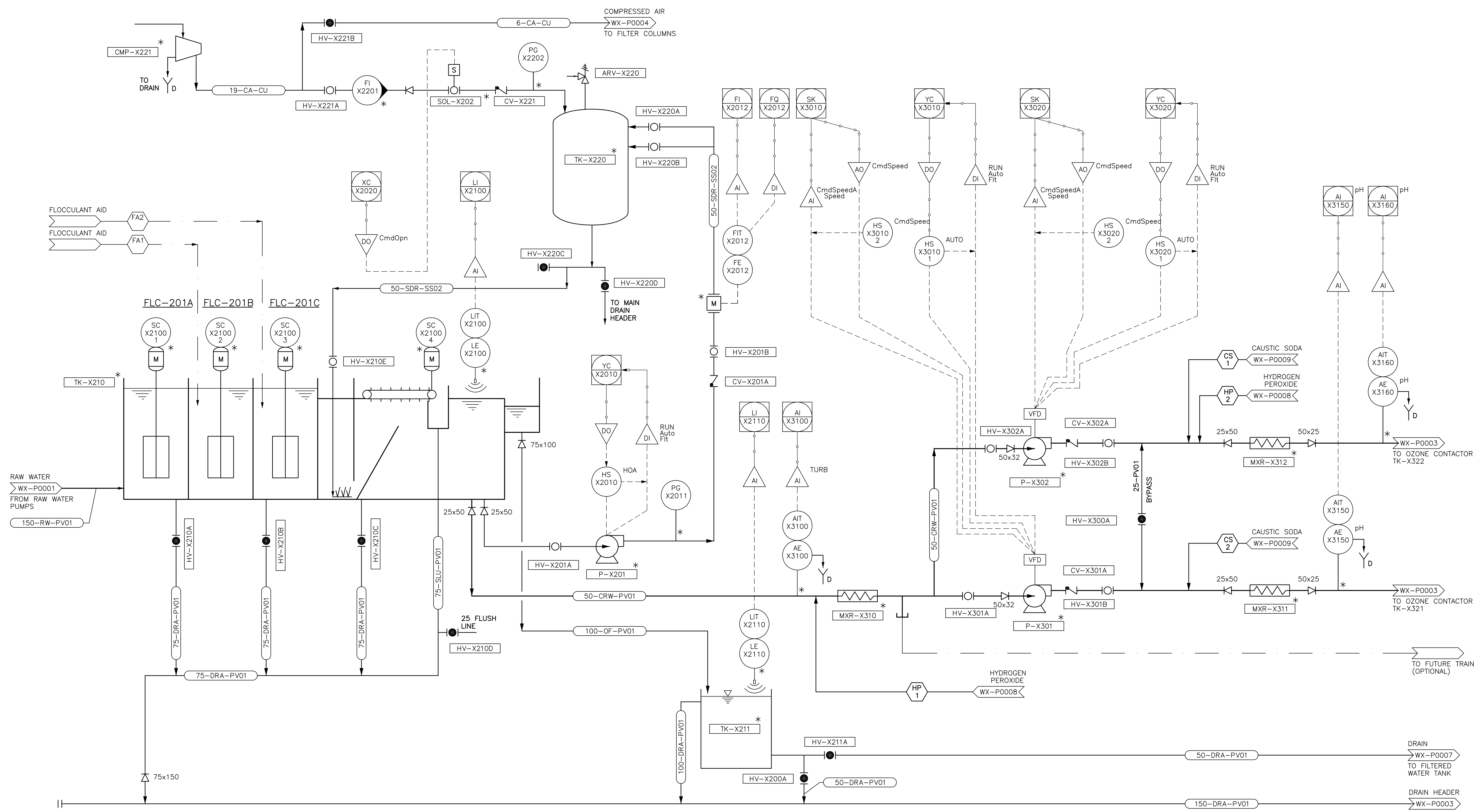
CMP-X221
DAF COMPRESSOR
MAX PRESSURE: 1206.6 kPa

TK-X211
DAF OVERFLOW TANK
SIZE: 2.3m³
DIAMETER: 1.5m
HEIGHT: 1.3m

MXR-X310
STATIC MIXER
SIZE: 50mm
MATERIAL: PVC

P-X301/ X302
CONTACTOR PUMPS
CONTROL: VFD
CAPACITY: 2.83 m³/hr
HEAD: 8.5m

MXR-X311 /X312
STATIC MIXERS
SIZE: 50mm
MATERIAL: PVC



NOTES:
* CITY OF WINNIPEG TO SUPPLY EQUIPMENT/ INSTRUMENTATION.
CONTRACTOR TO INSTALL.



B.M. ELEV.	CONSTRUCTION COMPLETION DATE: YYYY MM DD		
DESIGNED BY	KG	CHECKED BY	BW
DRAWN BY	JBC	APPROVED BY	BW
SCALE: HORIZONTAL	NTS	RELEASED FOR CONSTRUCTION	
VERTICAL	-	DATE	2014 06 13
0 ISSUED FOR TENDER	14/06/13	JBC	
NO.	REVISIONS	DATE	BY

CH2MHILL

DESIGNED BY: KG, CHECKED BY: BW
 DRAWN BY: JBC, APPROVED BY: BW
 SCALE: HORIZONTAL: NTS, VERTICAL: -
 DATE: 2014 06 13, PLOT DATE: 2014 06 13

ENGINEER'S SEAL
 CONSULTANT DRAWING NUMBER: WX-P0002
 B.D. OPPORTUNITY: 355-2014

THE CITY OF WINNIPEG
 WATER AND WASTE DEPARTMENT
 ENGINEERING DIVISION

CITY OF WINNIPEG WATER TREATMENT RESEARCH AND PROCESS OPTIMIZATION FACILITY
 PROCESS
 DAF TANK & RECYCLE SYSTEM
 PROCESS AND INSTRUMENTATION DIAGRAM

SHEET X OF X
 CITY DRAWING NUMBER: 1-0601X-P0002-01-00

FILE PATH: \\WINNIPEG\Pro\WinnipegCityof\462784\Waterworks\DNS\DLV\462784-P-0001.dwg