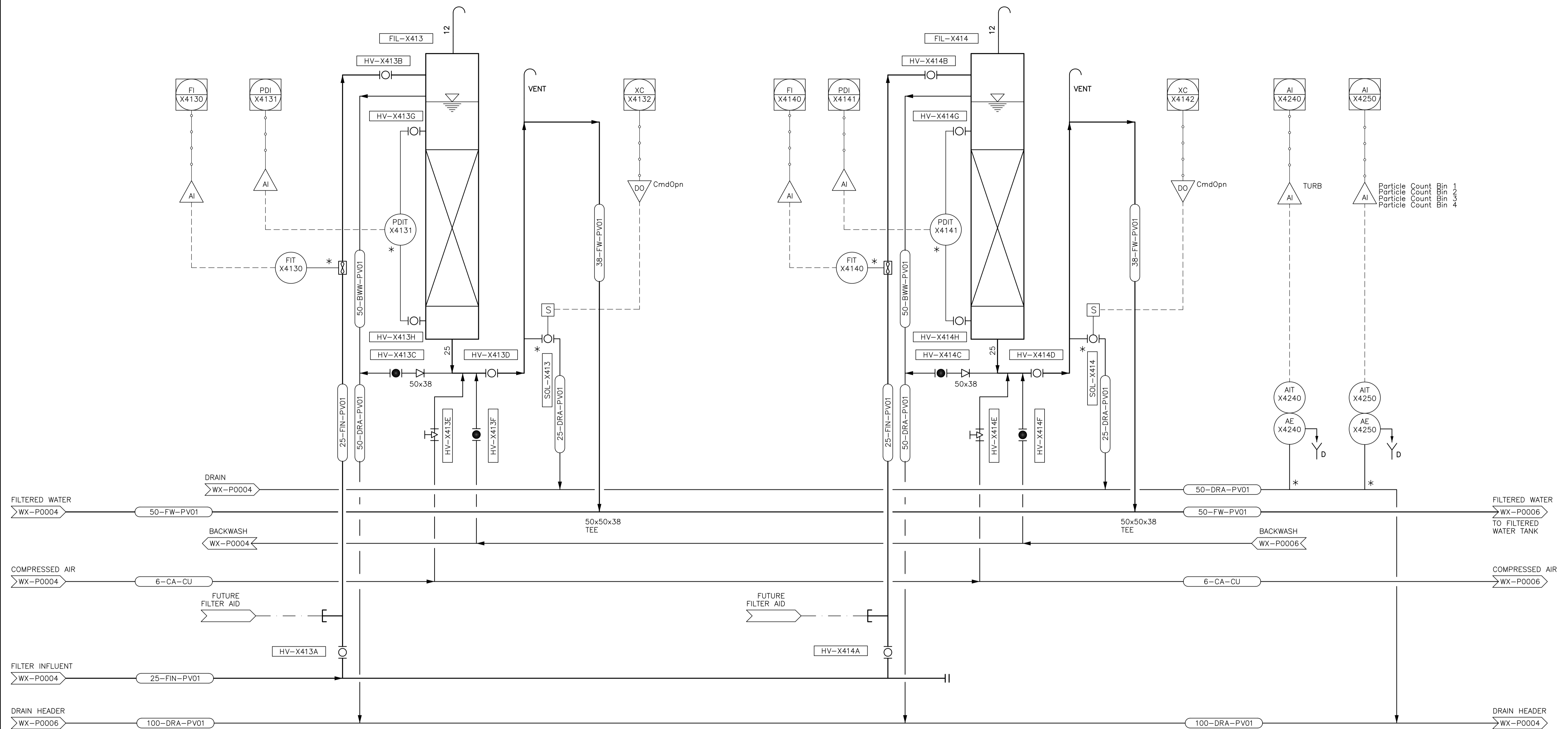


FIL-X413/ X414
 FILTER COLUMNS

HEIGHT: 6.5m
 DIAMETER: 150mm



NOTES:

* CITY OF WINNIPEG TO SUPPLY EQUIPMENT/ INSTRUMENTATION.
 CONTRACTOR TO INSTALL.



B.M. ELEV.			
CONSTRUCTION COMPLETION DATE: YYYY MM DD			
DESIGNED BY	KG	CHECKED BY	BW
DRAWN BY	JBC	APPROVED BY	BW
SCALE:	NTS	RELEASED FOR CONSTRUCTION	
HORIZONTAL	-	DATE	2014 06 13
VERTICAL	-	DATE	2014 06 13
0	ISSUED FOR TENDER	14/06/13	JBC
NO.	REVISIONS	DATE	BY

CH2MHILL

DESIGNED BY: KG
 CHECKED BY: BW
 DRAWN BY: JBC
 APPROVED BY: BW
 SCALE: HORIZONTAL: NTS, VERTICAL: -
 RELEASED FOR CONSTRUCTION: DATE 2014 06 13
 PLOT DATE: 2014 06 13

ENGINEER'S SEAL

CONSULTANT DRAWING NUMBER: WX-P0005

THE CITY OF WINNIPEG
 WATER AND WASTE DEPARTMENT
 ENGINEERING DIVISION

CITY OF WINNIPEG WATER TREATMENT RESEARCH AND PROCESS OPTIMIZATION FACILITY
 PROCESS
 FILTER BANK A (SHEET 2 OF 2)
 PROCESS AND INSTRUMENTATION DIAGRAM

SHEET X OF X
 CITY DRAWING NUMBER
 1-0601X-P0004-002-00