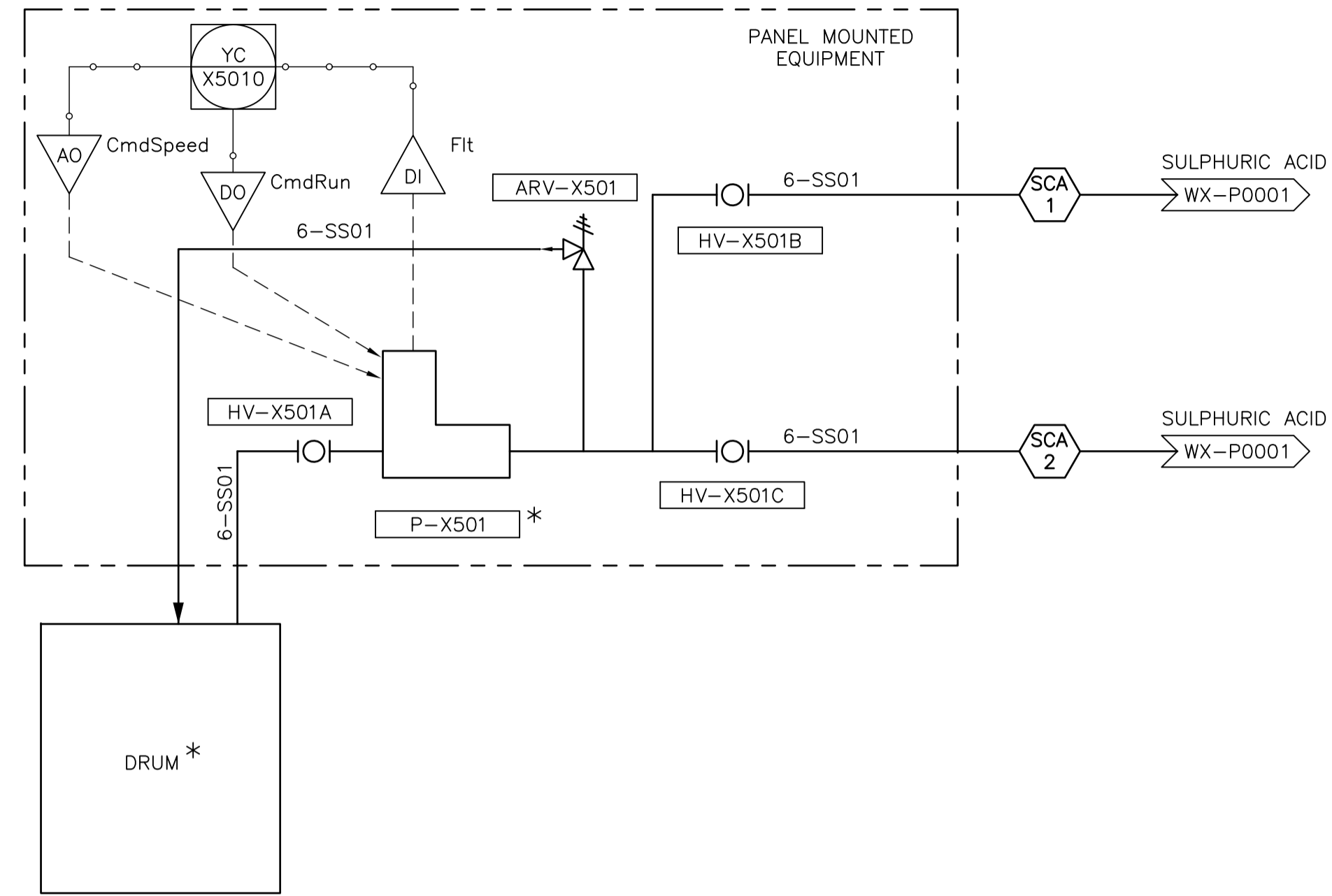
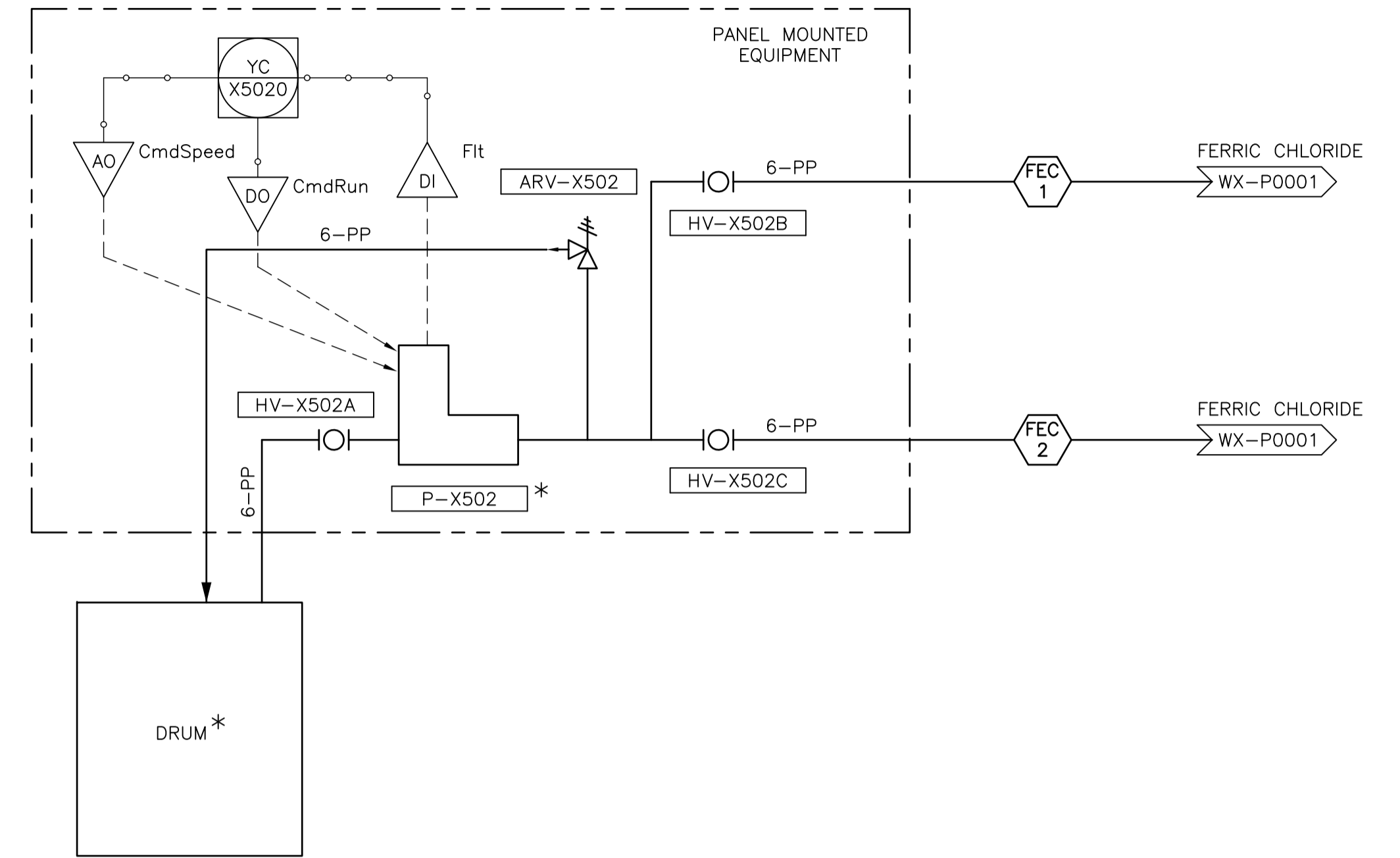


P-X501/ X502
 CHEMICAL METERING PUMPS
 MAX PRESSURE: 70m (100 psi)
 FLOW: 0.1 - 500 mL/min

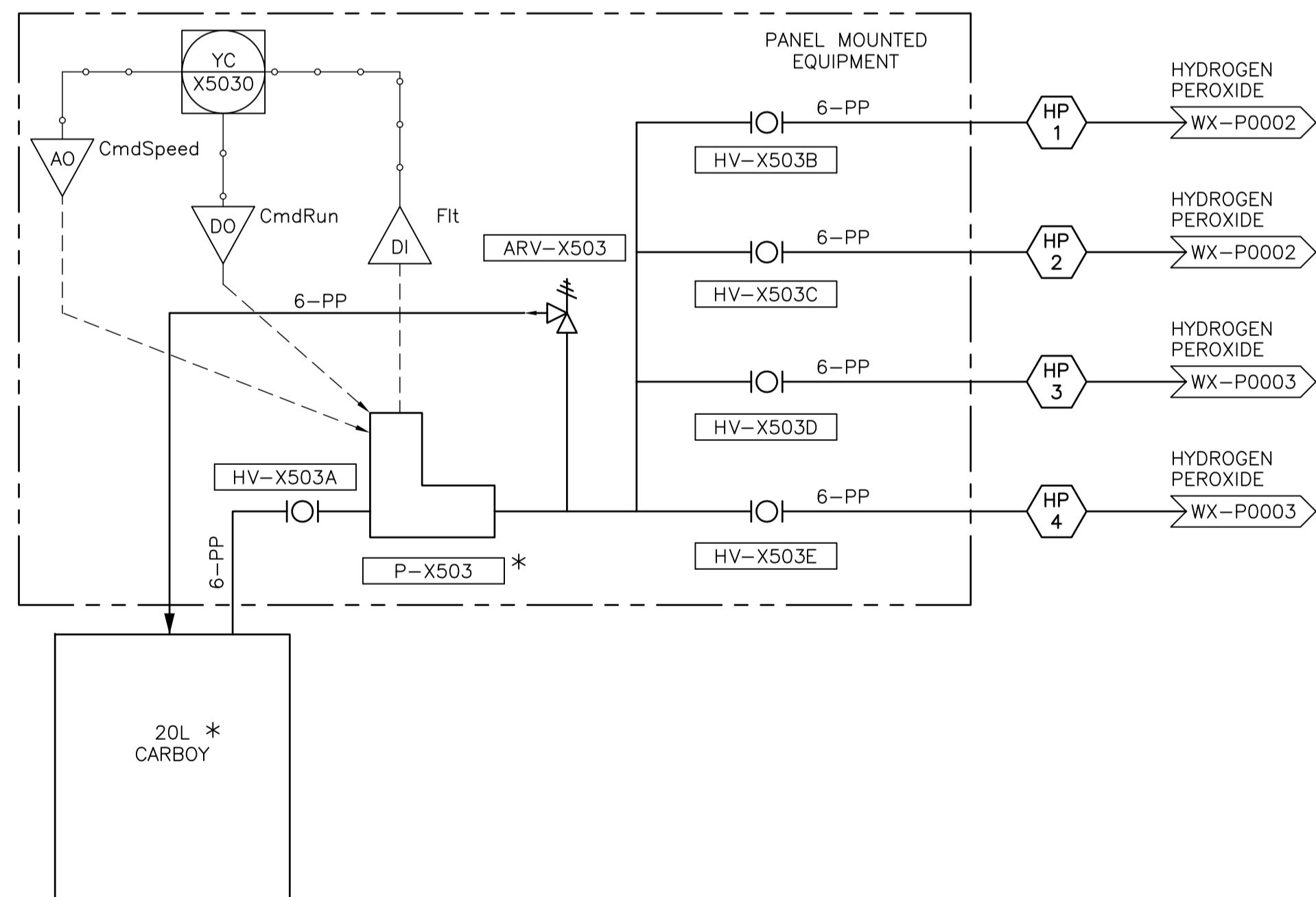
P-X503/ X504
 CHEMICAL METERING PUMPS
 MAX PRESSURE: 21m (30 psi)
 FLOW: 0.004 - 9 mL/min



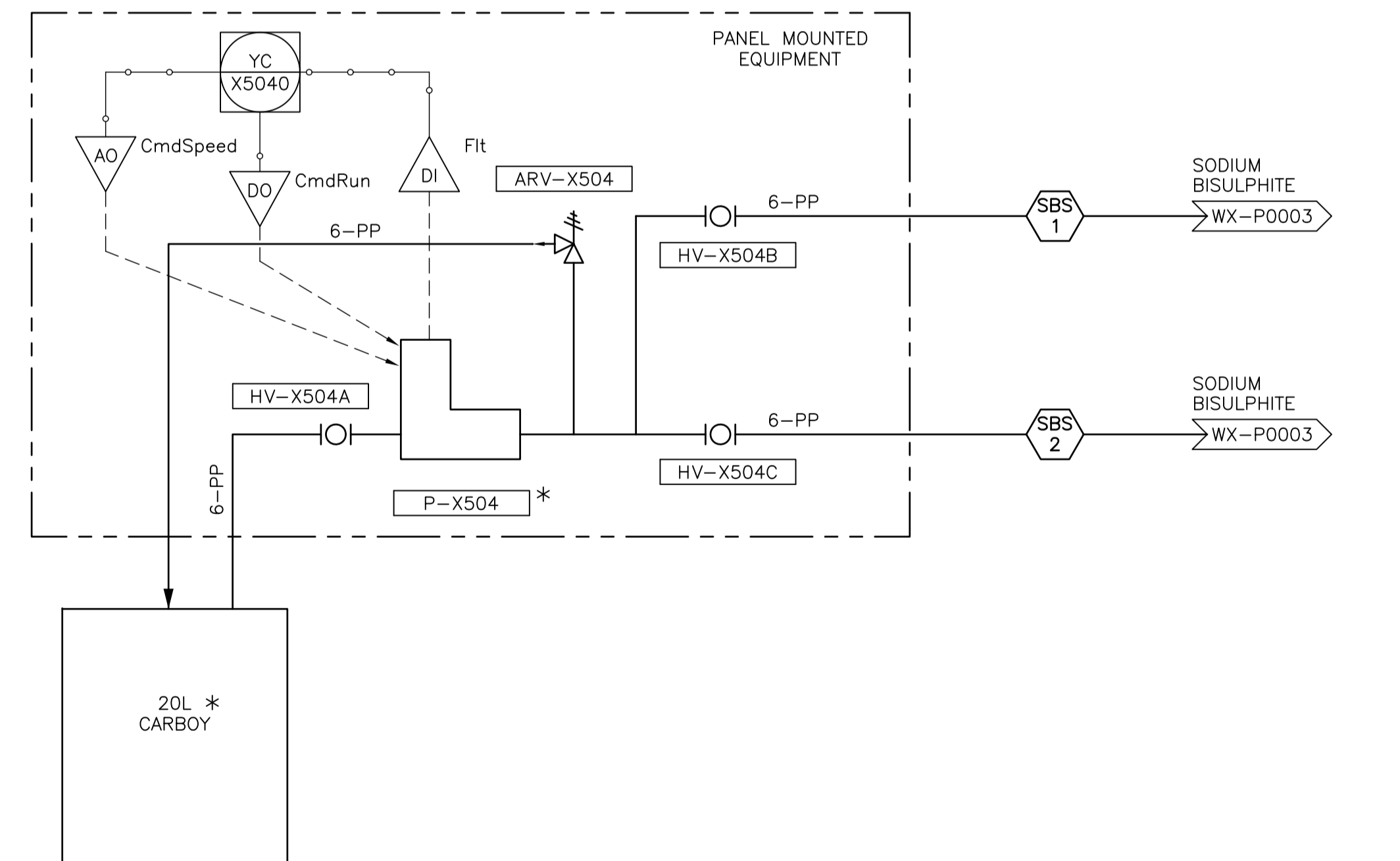
SULPHURIC ACID FEED SYSTEM



FERRIC CHLORIDE FEED SYSTEM



HYDROGEN PEROXIDE FEED SYSTEM



SODIUM BISULPHITE FEED SYSTEM

NOTES:

* CITY OF WINNIPEG TO SUPPLY EQUIPMENT/ INSTRUMENTATION. CONTRACTOR TO INSTALL.

ORIENTATION NOT EXACTLY AS SHOWN, TO BE DETERMINED BY CONTRACTOR.



DILLON CONSULTING

B.M. ELEV.	CONSTRUCTION COMPLETION DATE: YYYY MM DD		
DESIGNED BY	KG	CHECKED BY	BW
DRAWN BY	JBC	APPROVED BY	BW
SCALE: HORIZONTAL VERTICAL	NTS -	RELEASED FOR CONSTRUCTION	
0 ISSUED FOR TENDER	14/06/13	JBC	
NO.	REVISIONS	DATE	BY
		2014 06 13	

CH2MHILL

DESIGNED BY: KG, CHECKED BY: BW
 DRAWN BY: JBC, APPROVED BY: BW
 SCALE: HORIZONTAL VERTICAL: NTS -
 DATE: 2014 06 13

ENGINEER'S SEAL

CONSULTANT DRAWING NUMBER: WX-P0008

THE CITY OF WINNIPEG
 WATER AND WASTE DEPARTMENT
 ENGINEERING DIVISION

CITY OF WINNIPEG WATER TREATMENT RESEARCH AND PROCESS OPTIMIZATION FACILITY
 PROCESS
 CHEMICAL FEED SYSTEMS (SHEET 1 OF 2)
 PROCESS AND INSTRUMENTATION DIAGRAM

SHEET X OF X
 CITY DRAWING NUMBER: 1-0601X-P0006-001-00