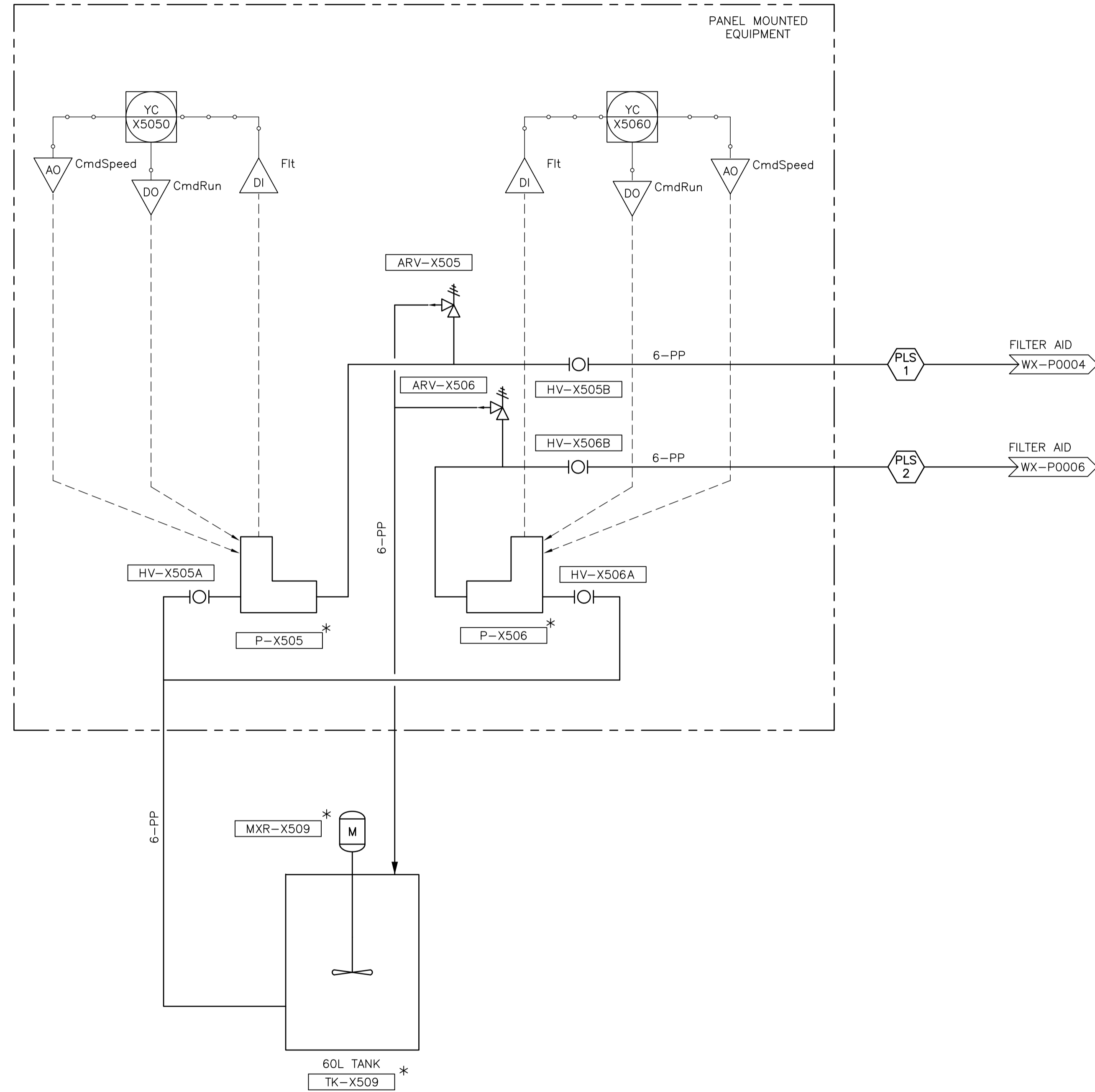


P-X505/ X506
CHEMICAL METERING PUMP
 MAX PRESSURE: 70m (100 psi)
 MAX FLOW: 1.25 mL/min

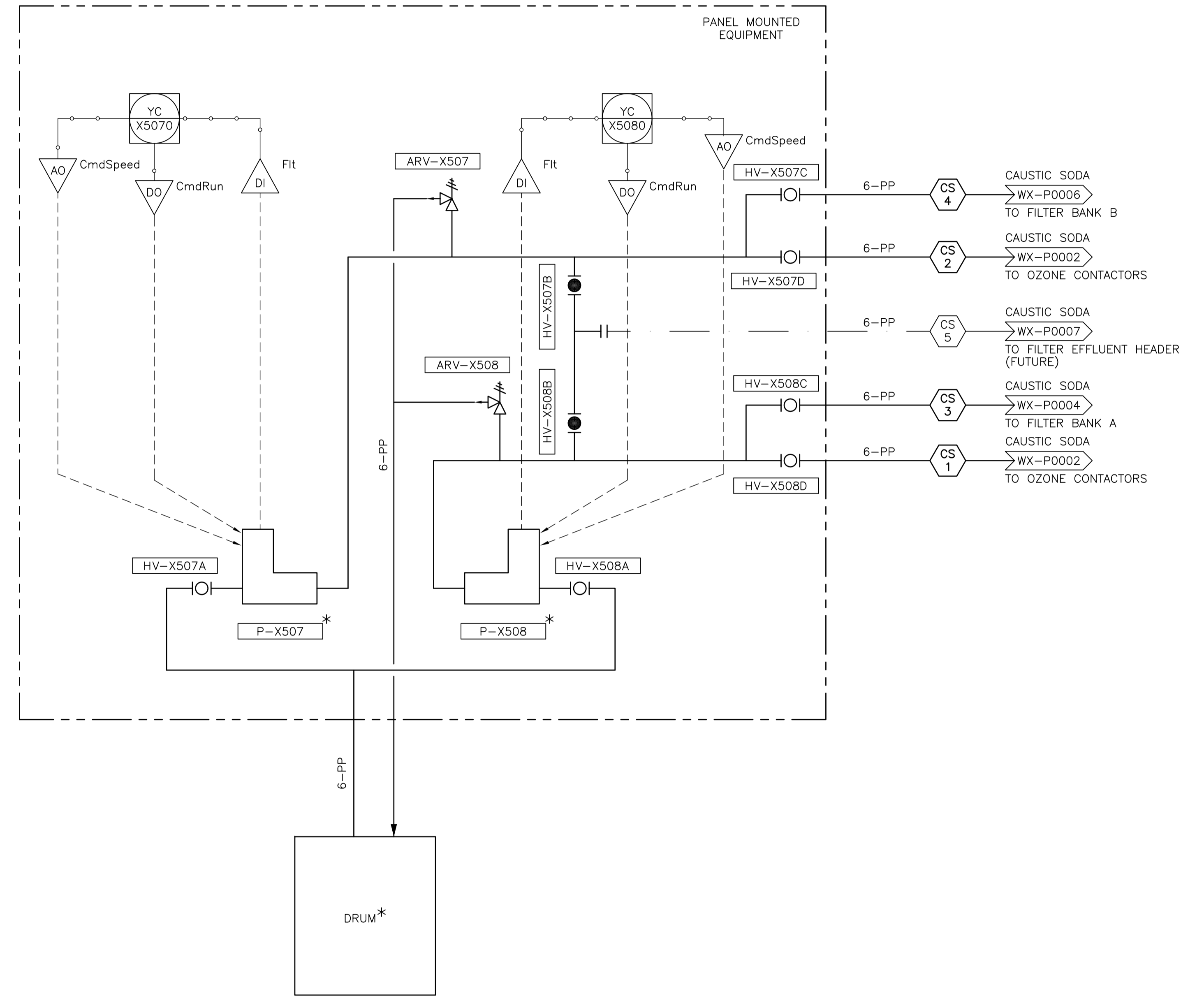
P-X507/ X508
CHEMICAL METERING PUMPS
 MAX PRESSURE: 70m (100 psi)
 FLOW: 0.1 - 500 mL/min

TK-X509
FILTER AID SOLUTION TANK
 VOLUME: 60 L

MXR-X509
FILTER AID SOLUTION MIXER
 MOTOR: 1 /20 hP



FILTER AID FEED SYSTEM



CAUSTIC SODA FEED SYSTEM

NOTES:

*CITY OF WINNIPEG TO SUPPLY EQUIPMENT/ INSTRUMENTATION. CONTRACTOR TO INSTALL.

ORIENTATION NOT EXACTLY AS SHOWN, TO BE DETERMINED BY CONTRACTOR.

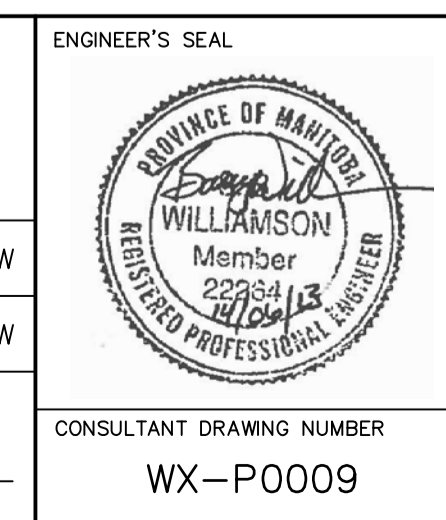


DILLON CONSULTING

B.M. ELEV.	CONSTRUCTION COMPLETION DATE: YYYY MM DD		
DESIGNED BY	KG	CHECKED BY	BW
DRAWN BY	JBC	APPROVED BY	BW
SCALE: HORIZONTAL	NTS	RELEASED FOR CONSTRUCTION	
VERTICAL	-	DATE	2014 06 13
0 ISSUED FOR TENDER	14/06/13	JBC	
NO.	REVISIONS	DATE	BY

CH2MHILL

DESIGNED BY	KG	CHECKED BY	BW
DRAWN BY	JBC	APPROVED BY	BW
SCALE: HORIZONTAL	NTS	RELEASED FOR CONSTRUCTION	
VERTICAL	-	DATE	2014 06 13



THE CITY OF WINNIPEG
 WATER AND WASTE DEPARTMENT
 ENGINEERING DIVISION

Winnipeg

CITY OF WINNIPEG WATER TREATMENT RESEARCH AND PROCESS OPTIMIZATION FACILITY

PROCESS FEED SYSTEMS (SHEET 2 OF 2)
 PROCESS AND INSTRUMENTATION DIAGRAM

SHEET X OF X
 CITY DRAWING NUMBER
 1-0601X-P0006-002-00

PLOT DATE: 2014 06 13

BID OPPORTUNITY: 355-2014

FILE PATH: \\WINNIPEG\Pro\WinnipegCityof\462784\Waterworks\DMS\DLV\462784-P-0001.dwg