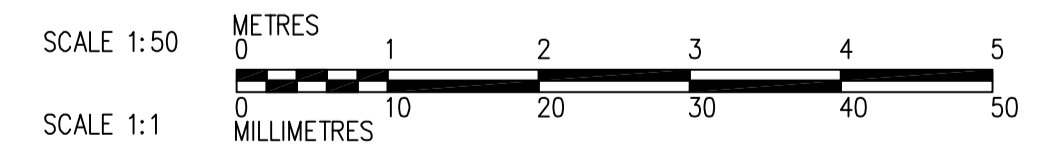
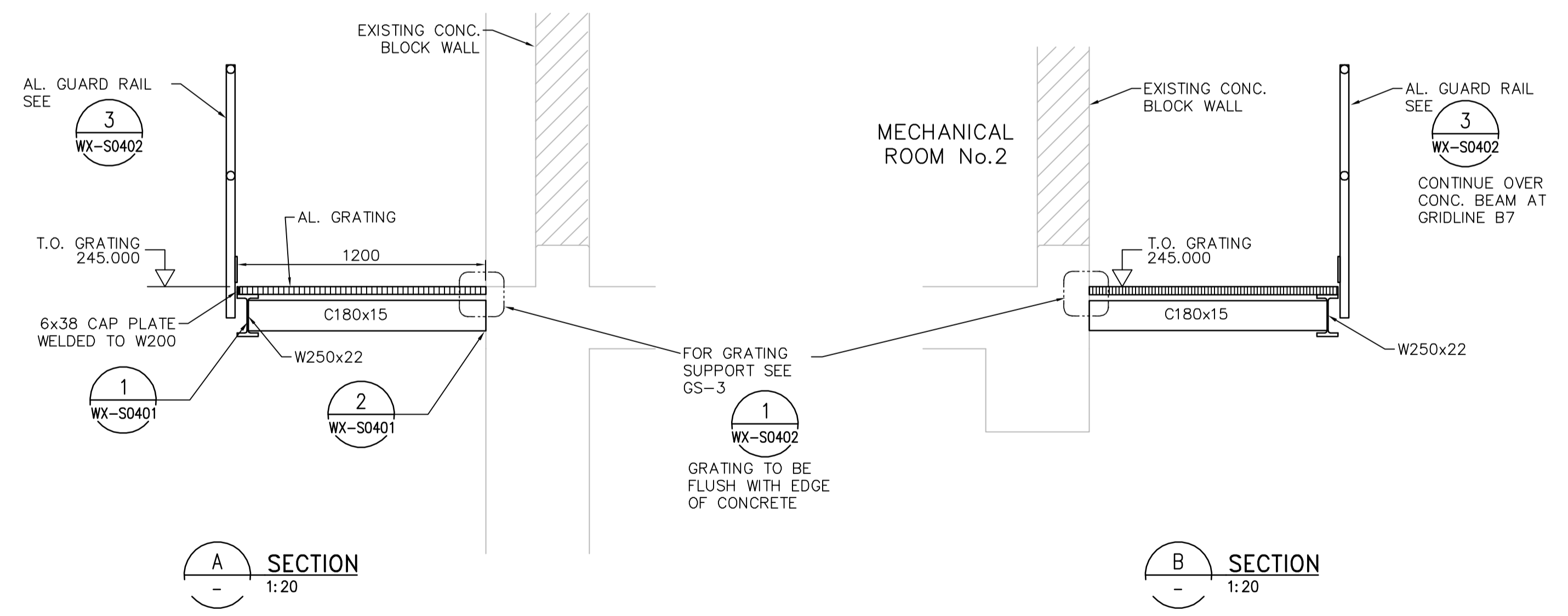


- NOTES:
- CONTRACTOR TO VERIFY ALL DIMENSIONS AND ELEVATIONS PRIOR TO FABRICATION.
 - ALL STEEL FRAMING AND SUPPORTS TO BE HOT DIPPED GALVANIZED.
 - INSPECT, CLEAN AND PREPARE EXISTING CONCRETE SURFACES SUITABLE BEFORE INSTALLATION.
 - SEE DETAIL FOR TYPICAL BEAM TO BEAM CONNECTION.
 - SEE DETAIL FOR CONNECTIONS TO CONCRETE.
 - ALUMINUM GRATING RATED FOR FOOT TRAFFIC 4.8kPa. SEE DETAIL .
 - GS-3 SUPPORT TYPICAL AT CONCRETE WALL/ BEAM LOCATIONS ONLY.
 - PROVIDE PROTECTION BETWEEN DISSIMILAR METALS.



REFERENCE DRAWINGS:

1-0601R-S0015-001-02 STRUCTURAL RESIDUALS HANDLING AREA THIRD FLOOR PLAN



B.M. ELEV.		CONSTRUCTION COMPLETION DATE: YYYY MM DD	
DESIGNED BY	KS	CHECKED BY	RP
DRAWN BY	JBC	APPROVED BY	BW
SCALE: HORIZONTAL AS SHOWN		RELEASED FOR CONSTRUCTION	
0 ISSUED FOR TENDER	14-01-21	JBC	
NO.	REVISIONS	DATE	BY
		2014 01 21	

CH2MHILL

ENGINEER'S SEAL

PROVINCE OF MANITOBA
PARIKH
Member
30474
REGISTERED PROFESSIONAL ENGINEER

CONSULTANT DRAWING NUMBER
WX-S0131

BID OPPORTUNITY: 25-2014
CONTRACT NUMBER: X

THE CITY OF WINNIPEG
WATER AND WASTE DEPARTMENT
ENGINEERING DIVISION

MEZZANINE, WALKWAY AND EQUIPMENT SUPPORTS
FOR A WATER TREATMENT RESEARCH AND
PROCESS OPTIMIZATION FACILITY
STRUCTURAL
WALKWAY PLAN AT 245.000

SHEET 3 OF 9
CITY DRAWING NUMBER
1-0601X-S0002-001-00