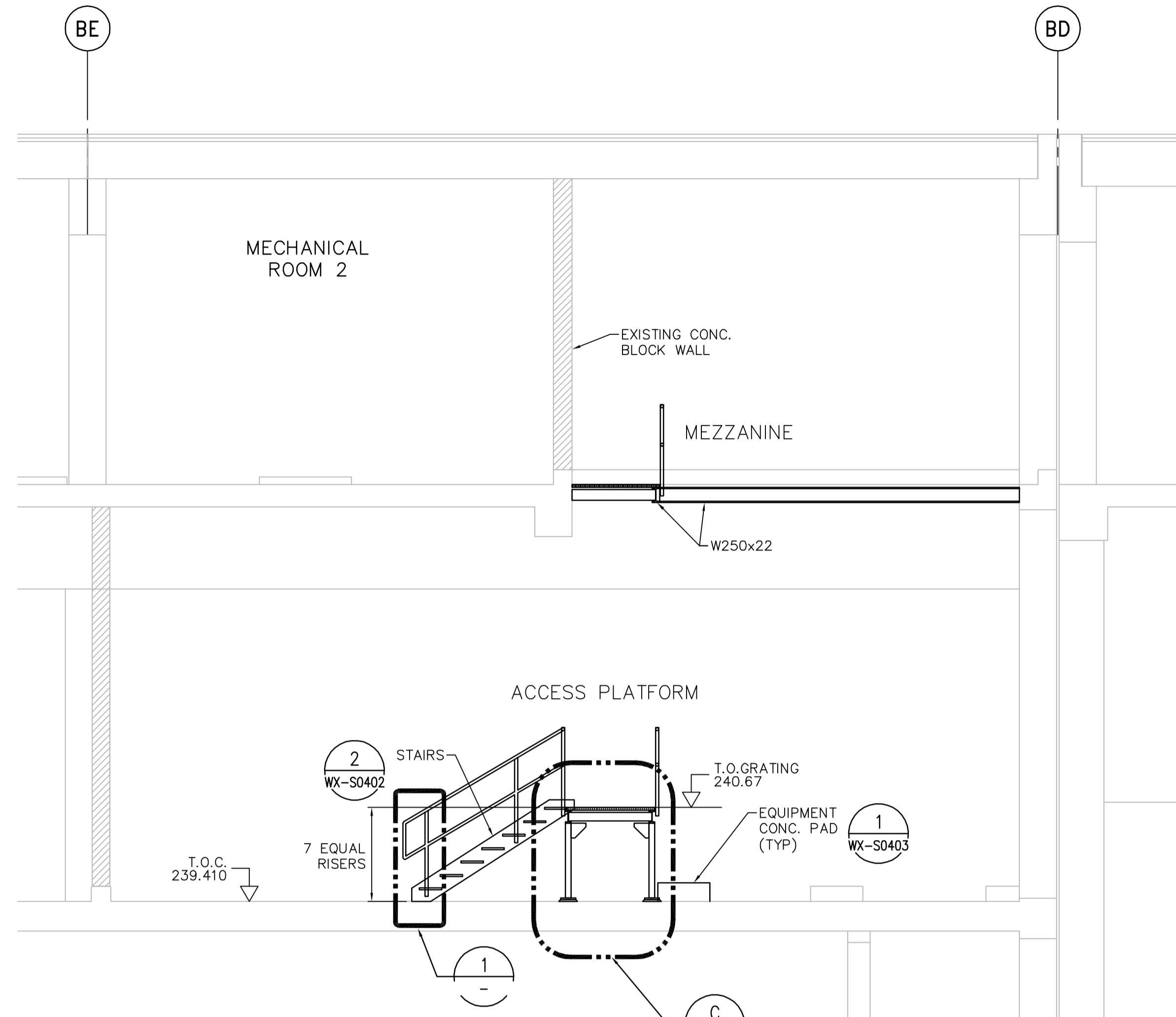
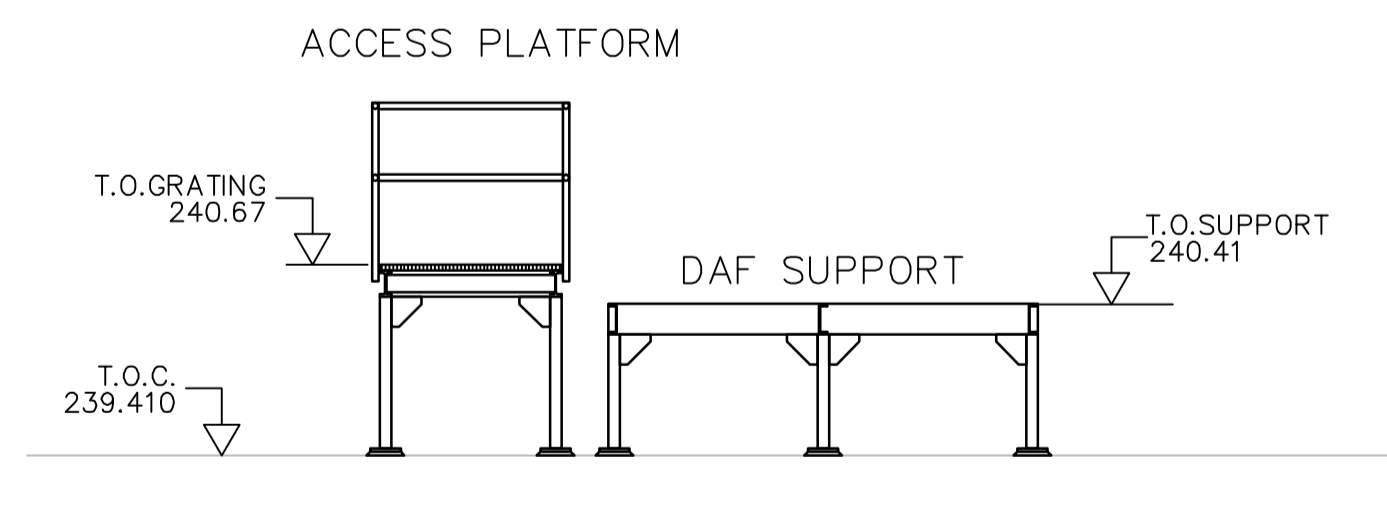


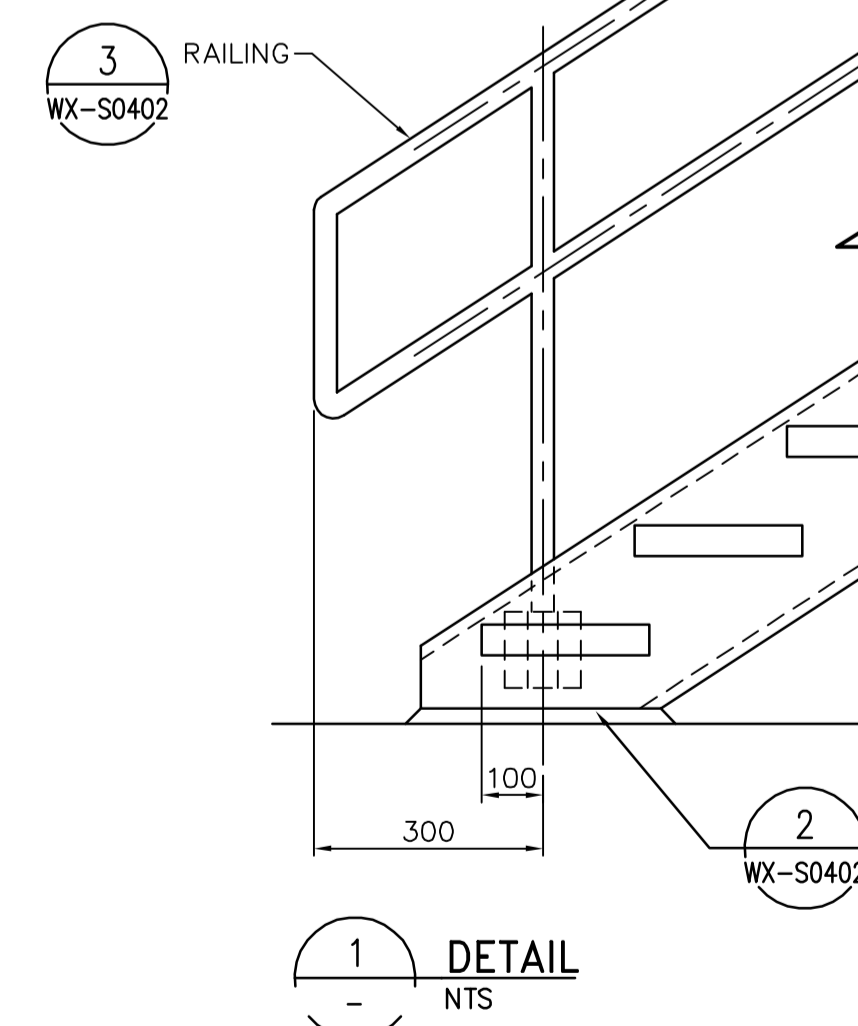
**B SECTION**  
WX-S0121 1:50



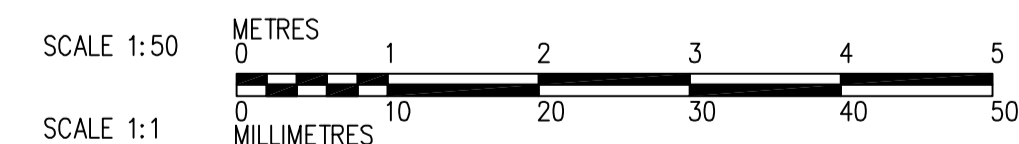
**C SECTION**  
WX-S0121 1:50



**D SECTION**  
WX-S0121 1:50



**3 RAILING**  
WX-S0402



**APEGM**  
Certificate of Authorization  
CH2M HILL Canada Ltd.  
No. 1441 Date: 2014 01 21

B.M. ELEV.			
CONSTRUCTION COMPLETION DATE: YYYY MM DD			
DESIGNED BY	KS	CHECKED BY	RP
DRAWN BY	JBC	APPROVED BY	BW
SCALE: HORIZONTAL AS NOTED		RELEASED FOR CONSTRUCTION	
VERTICAL		DATE	2014 01 21
0 ISSUED FOR TENDER	14-01-21	JBC	
NO. REVISIONS	DATE	BY	

**CH2MHILL**

ENGINEER'S SEAL  
PROVINCE OF MANITOBA  
PARIKH  
Member  
30474  
REGISTERED PROFESSIONAL ENGINEER

CONSULTANT DRAWING NUMBER  
WX-S0202

**THE CITY OF WINNIPEG**  
WATER AND WASTE DEPARTMENT  
ENGINEERING DIVISION

MEZZANINE, WALKWAY AND EQUIPMENT SUPPORTS  
FOR A WATER TREATMENT RESEARCH AND  
PROCESS OPTIMIZATION FACILITY  
STRUCTURAL  
SECTIONS  
SHEET 2 OF 2

SHEET 5 OF 9  
CITY DRAWING NUMBER  
1-0601X-S0003-002-00