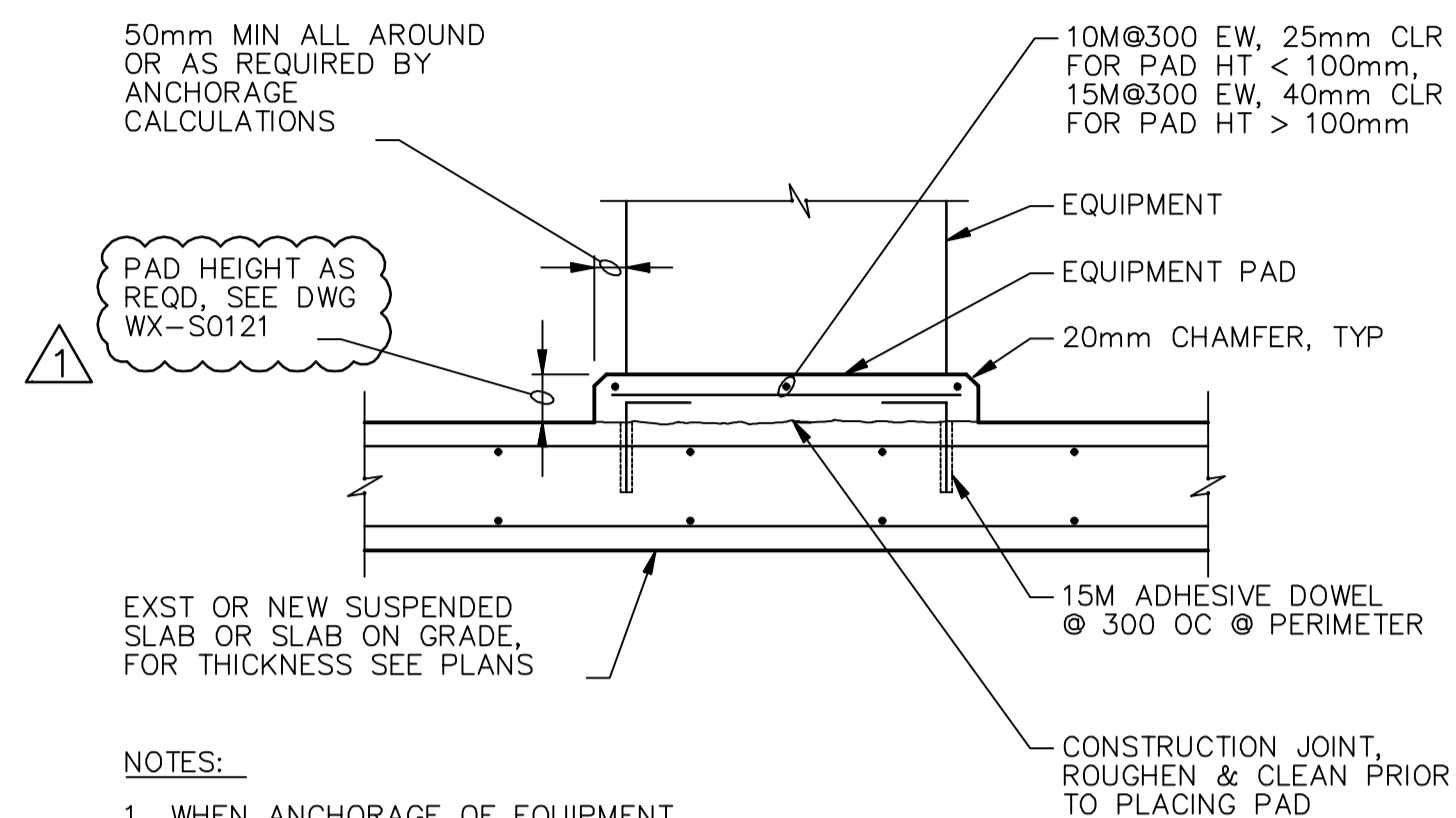


NOTES:

- PAD SIZE SHALL BE MINIMUM INDICATED OR AS SHOWN ON THE PLANS OR AS INDICATED BY THE MANUFACTURER AND APPROVED BY THE ENGINEER.
- EQUIPMENT BASES SHALL BE INSTALLED LEVEL UNLESS INDICATED OTHERWISE.

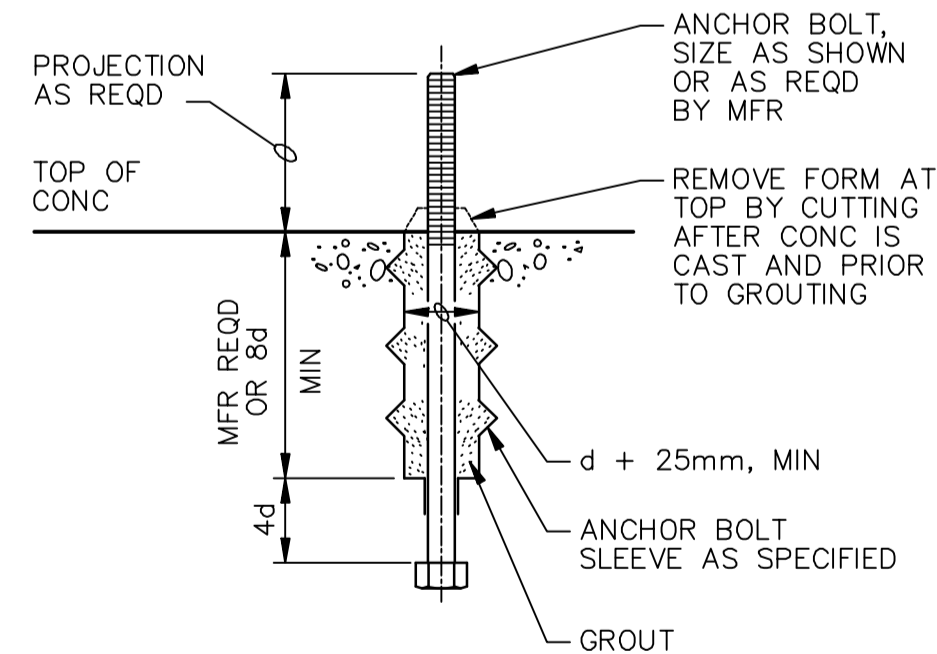
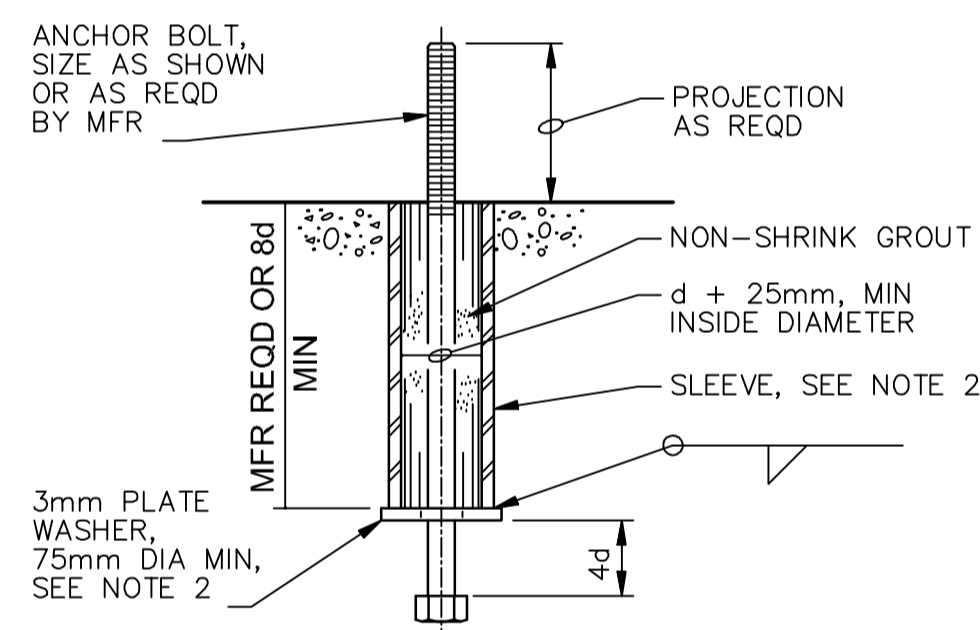


NOTES:

- WHEN ANCHORAGE OF EQUIPMENT TO PAD IS REQUIRED, USE CONCRETE ANCHORS SPECIFIED.
- CONCRETE PADS FOR ELECTRICAL EQUIPMENT SHALL BE 90mm HIGH, UNLESS NOTED OTHERWISE.

TYPE E

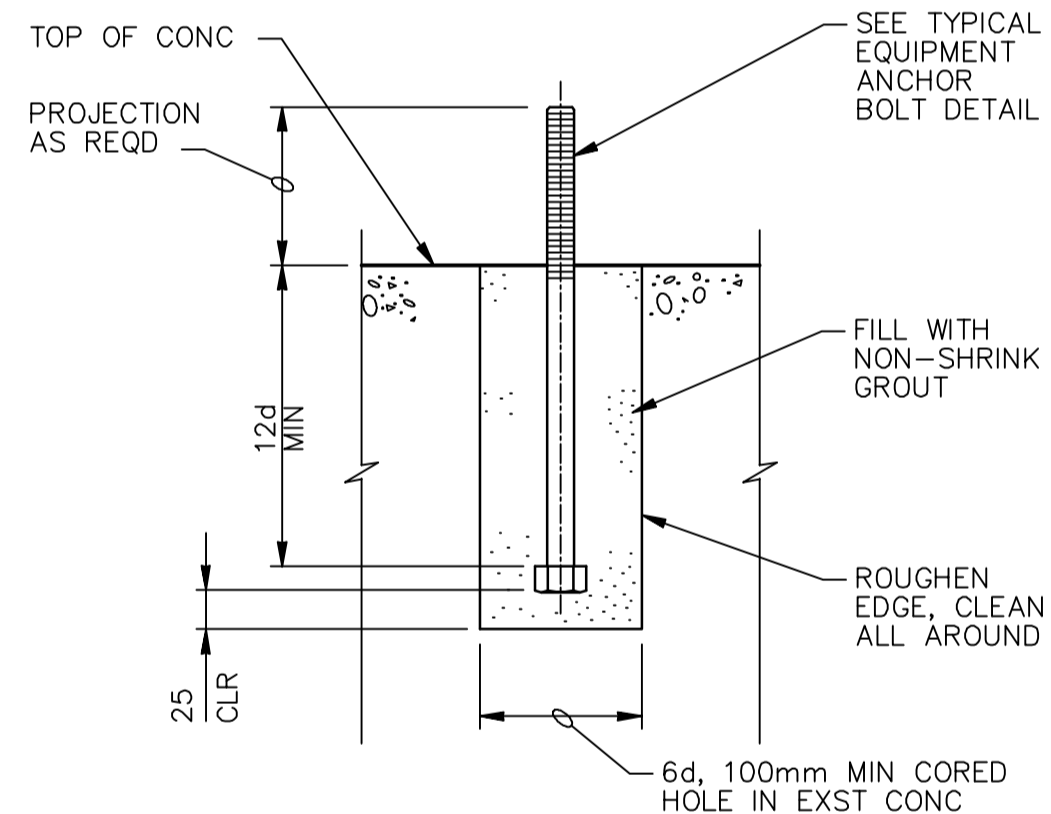
1 CONCRETE EQUIPMENT PADS
N.T.S.



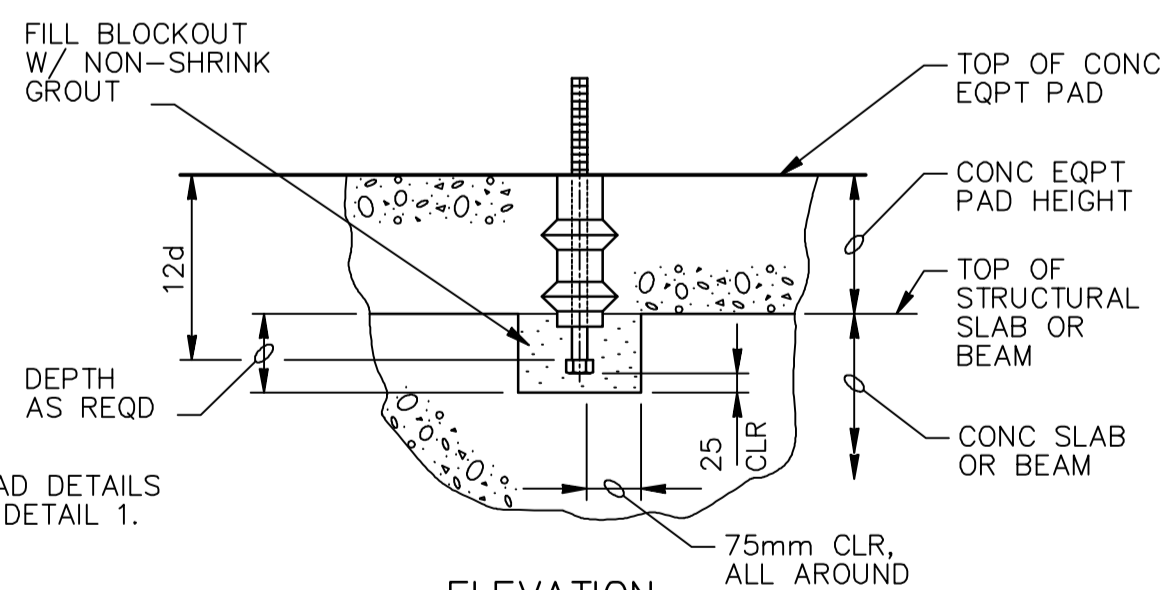
NOTES:

- FOR CONCRETE EQUIPMENT PAD DETAILS AND NOTES NOT SHOWN SEE DETAIL 1.
- MATERIAL TO MATCH BOLT.
- DO NOT USE RETROFIT OR BLOCKOUT OPTION WITHOUT ENGINEER'S APPROVAL.

MACHINERY ANCHOR BOLT DETAIL



ANCHOR BOLT RETROFIT



ELEVATION
ANCHOR BOLT BLOCKOUT

2 ANCHOR BOLTS DETAILS
N.T.S.



B.M. ELEV.			
CONSTRUCTION COMPLETION DATE: YYYY MM DD			
DESIGNED BY	KS	CHECKED BY	RP
DRAWN BY	JBC	APPROVED BY	BW
SCALE:	HORIZONTAL AS SHOWN	RELEASED FOR CONSTRUCTION	DATE
1	ISSUED FOR ADDENDUM No. 1	14-02-12	JBC
0	ISSUED FOR TENDER	14-01-21	JBC
NO.	REVISIONS	DATE	BY
		2014 01 21	

CH2MHILL

DESIGNED BY: KS
CHECKED BY: RP
DRAWN BY: JBC
APPROVED BY: BW
SCALE: HORIZONTAL AS SHOWN, VERTICAL -
RELEASED FOR CONSTRUCTION DATE: 2014 01 21

ENGINEER'S SEAL
ORIGINAL SIGNED BY R.P. PARIKH
JAN 21, 2014
CONSULTANT DRAWING NUMBER
WX-S0403

THE CITY OF WINNIPEG
WATER AND WASTE DEPARTMENT
ENGINEERING DIVISION
Winnipeg
MEZZANINE, WALKWAY AND EQUIPMENT SUPPORTS FOR A WATER TREATMENT RESEARCH AND PROCESS OPTIMIZATION FACILITY
STRUCTURAL
STANDARD DETAILS
SHEET 3 OF 4
SHEET 8 OF 9
CITY DRAWING NUMBER
1-0601X-S0004-003-01