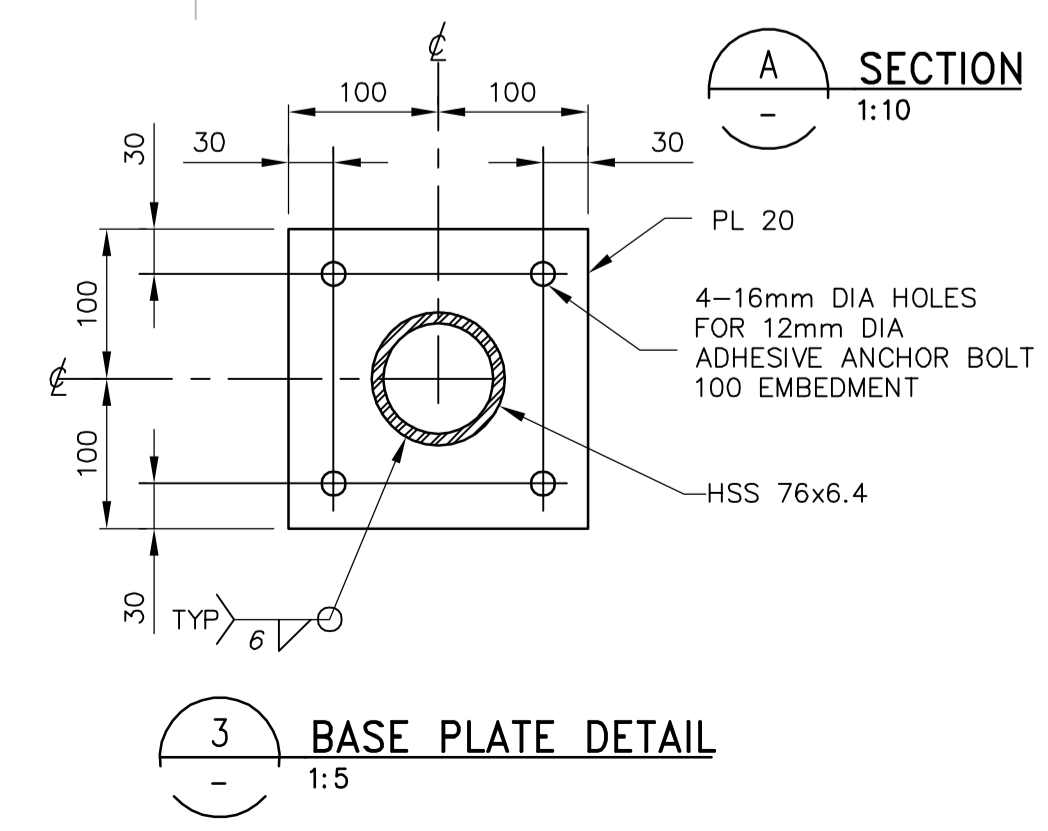
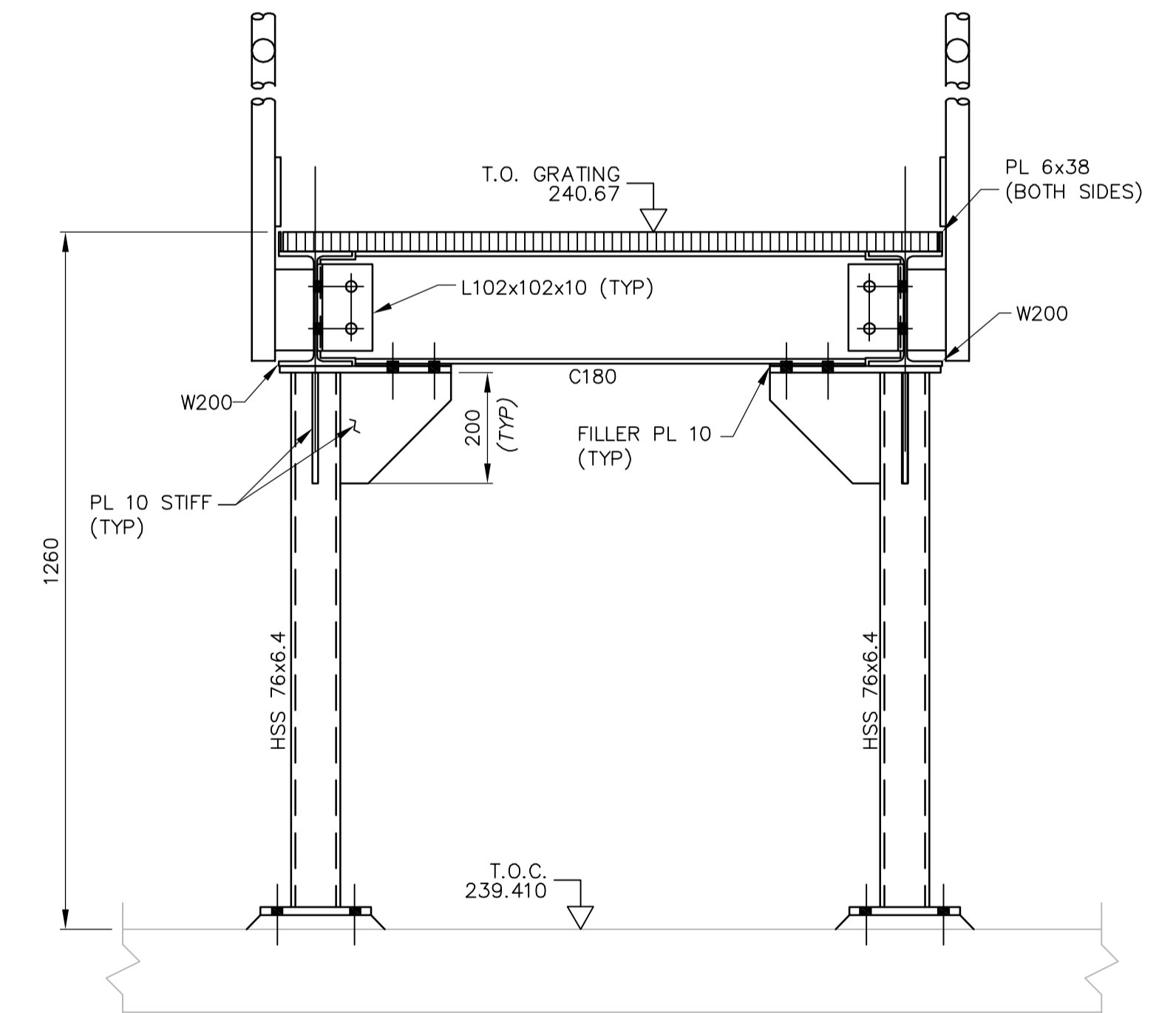
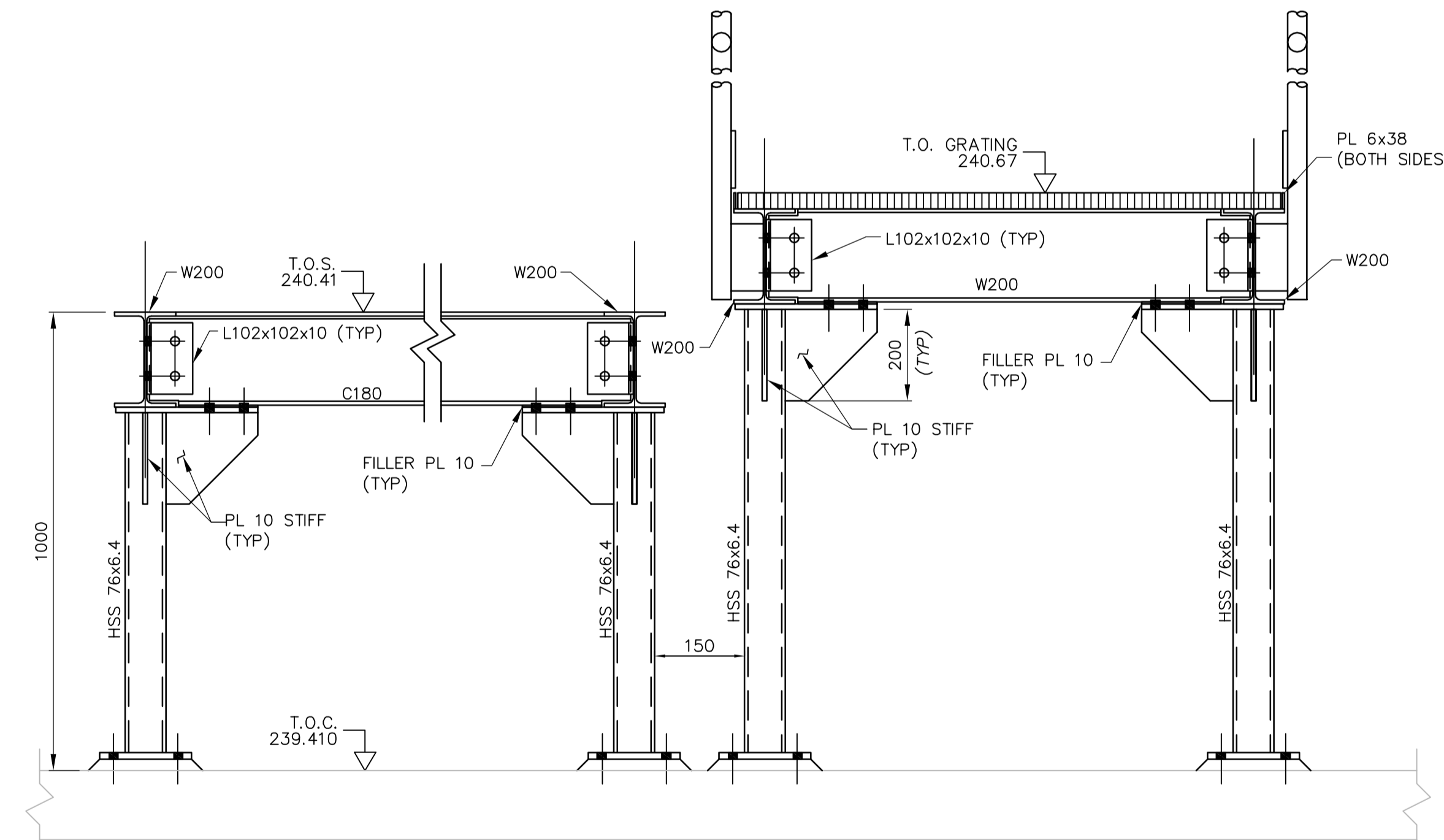
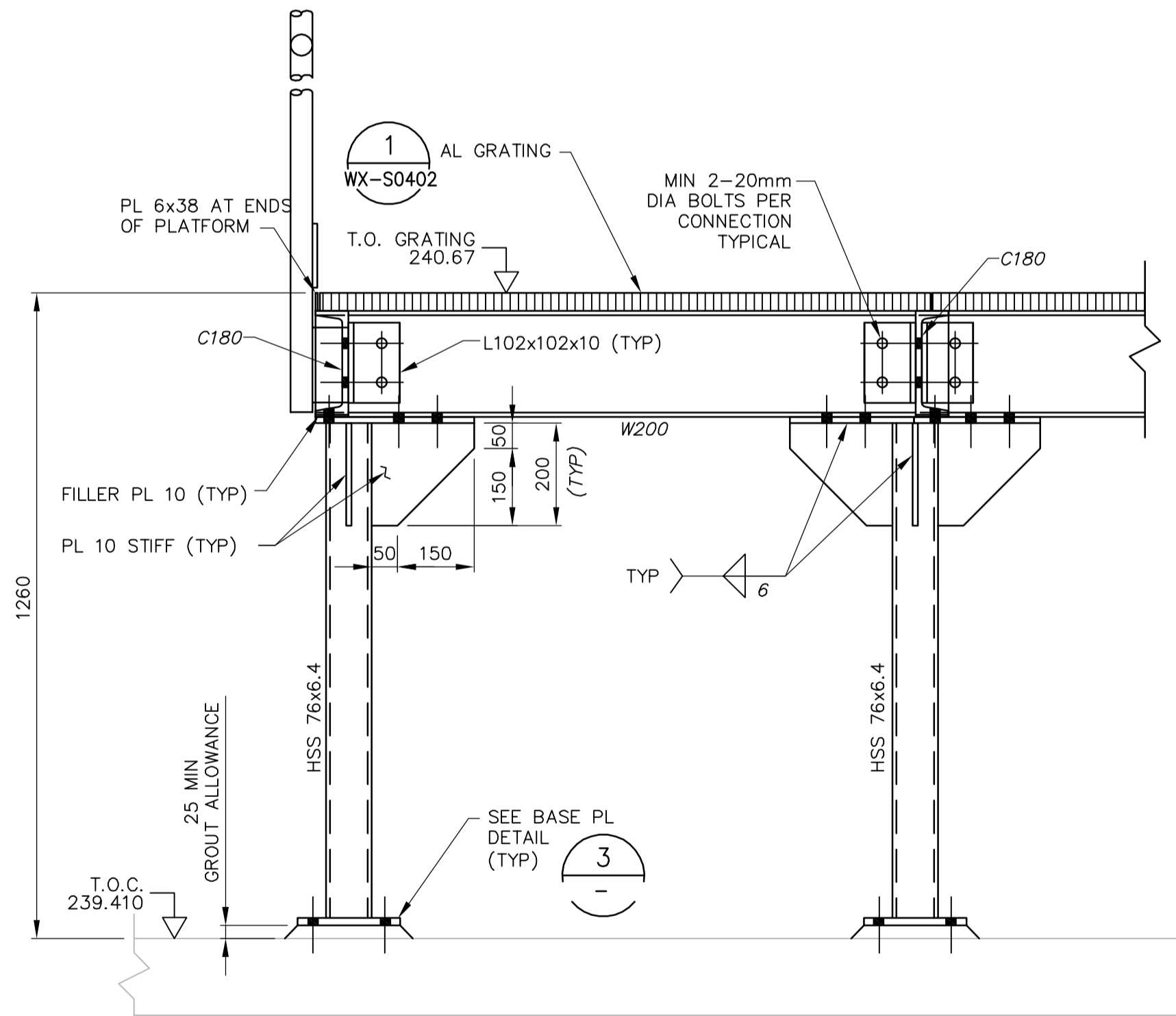


- NOTES:**
- CONTRACTOR TO FIELD VERIFY ALL DIMENSIONS AND ELEVATIONS PRIOR TO FABRICATION
 - HANDRAIL TO ATTACH TO PROPOSED PLATFORM FRAME ONLY. HANDRAIL TO SAFELY ENCLOSE PLATFORM AREA.
 - COORDINATE WITH PROCESS DRAWINGS FOR REQUIRED OPENINGS IN GRATING
 - ALL STEEL FRAMING AND SUPPORTS TO BE HOT DIPPED GALVANIZED
 - CLEAN AND PREPARE EXISTING CONCRETE SURFACE SUITABLY BEFORE PLACING GROUT UNDER BASE PLATES
 - LL = 4.8 kPa.



B.M. ELEV.		CH2MHILL		ENGINEER'S SEAL		THE CITY OF WINNIPEG WATER AND WASTE DEPARTMENT ENGINEERING DIVISION	SHEET 9 OF 9 CITY DRAWING NUMBER 1-0601X-S0004-004-01
CONSTRUCTION COMPLETION DATE: YYYY MM DD				DESIGNED BY: KS	CHECKED BY: RP		
		DRAWN BY: JBC	APPROVED BY: BW	CONSULTANT DRAWING NUMBER: WX-S0404			
1 ISSUED FOR ADDENDUM No. 2		14-02-13	JBC	SCALE: HORIZONTAL AS SHOWN			
0 ISSUED FOR TENDER		14-01-21	JBC	RELEASED FOR CONSTRUCTION			
NO. REVISIONS		DATE	BY	DATE	2014 01 21		