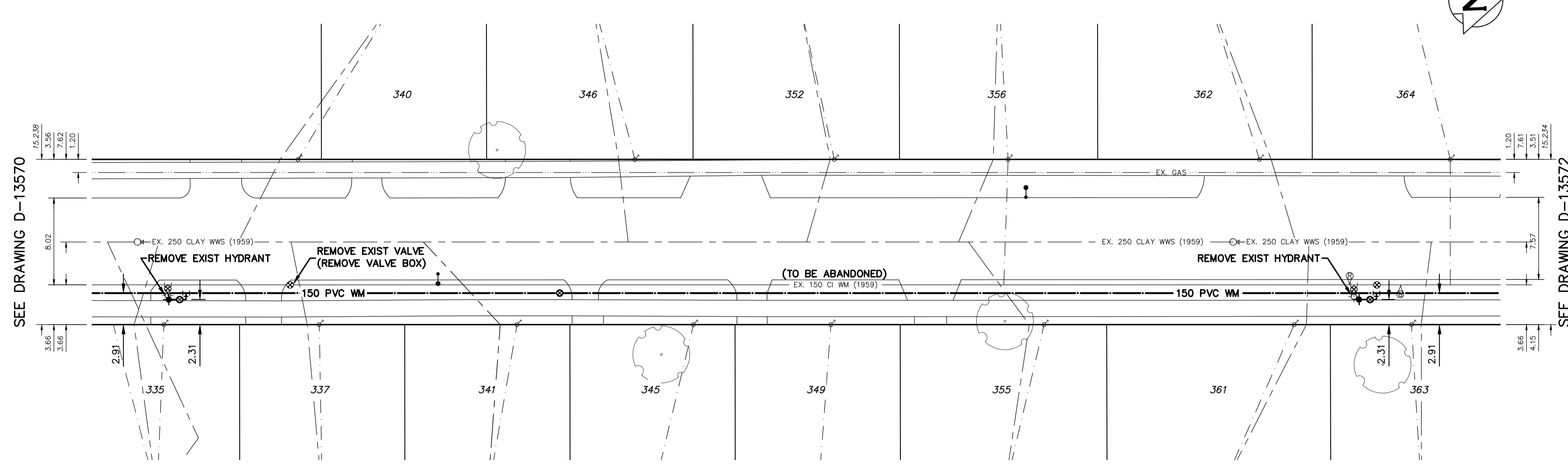


NOTE: CHAINAGES SHOWN ARE ALONG E. R. OF ALDINE ST

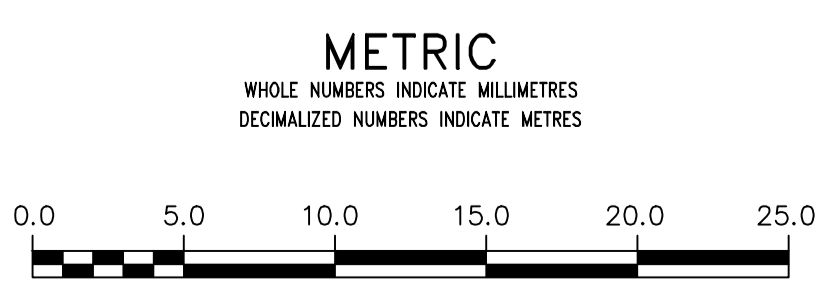
ALDINE STREET



WATER SERVICE INFORMATION					
ADDRESS	SIZE (mm) MATERIAL (STREET)	SIZE (mm) MATERIAL (PROP.)	SHORT & LONG MEASUREMENT	CORP. LOCATION	REMARKS
335 ALDINE ST	20 COPPER	UNKNWON UNKNWON	3.5M N/SBL TAPPED STRAIGHT	BUILDING 8.8M	-
340 ALDINE ST	UNKNWON UNKNWON	UNKNWON UNKNWON	IN LINE W/ S SIDE 27' E	0.0'	-
337 ALDINE ST	UNKNWON UNKNWON	UNKNWON UNKNWON	5.6' NSL HSE	0.0'	-
341 ALDINE ST	UNKNWON UNKNWON	UNKNWON UNKNWON	16' S OF N	BUILDING 31.0'	-
346 ALDINE ST	UNKNWON UNKNWON	UNKNWON UNKNWON	103' N OF 2ND HYD. N LODGE	-	-
345 ALDINE ST	UNKNWON UNKNWON	UNKNWON UNKNWON	17.6' S N SIDE	0.0'	-
352 ALDINE ST	UNKNWON UNKNWON	UNKNWON UNKNWON	22' E HSE	-	-
349 ALDINE ST	UNKNWON UNKNWON	UNKNWON UNKNWON	6M S NLL	BUILDING 7M	-
356 ALDINE ST	UNKNWON UNKNWON	UNKNWON UNKNWON	22' E HSE	-	-
355 ALDINE ST	UNKNWON UNKNWON	UNKNWON UNKNWON	21' S N SIDE	0.0'	-
362 ALDINE ST	UNKNWON UNKNWON	UNKNWON UNKNWON	28' W HSE	-	-
364 ALDINE ST	UNKNWON UNKNWON	UNKNWON UNKNWON	11.0' NSL BLDG	106' S 2ND HYD S BRUCE	S BRUCE OR 9' S OF N
356 ALDINE ST	UNKNWON UNKNWON	UNKNWON UNKNWON	19.0' SNL BLDG	BUILDING 29.0'	-
362 ALDINE ST	UNKNWON UNKNWON	UNKNWON UNKNWON	16' S OF N	PROPERTY 0.1'	-
361 ALDINE ST	UNKNWON UNKNWON	UNKNWON UNKNWON	23' S 1ST HYD S BRUCE	-	-
363 ALDINE ST	UNKNWON UNKNWON	UNKNWON UNKNWON	10.9' SNL BLDG	0.0'	-
364 ALDINE ST	UNKNWON UNKNWON	UNKNWON UNKNWON	UNKNWON UNKNWON	0.0'	-
364 ALDINE ST	UNKNWON UNKNWON	UNKNWON UNKNWON	IN LINE WITH S SIDE	0.0'	-
364 ALDINE ST	UNKNWON UNKNWON	UNKNWON UNKNWON	UNKNWON UNKNWON	-	-
364 ALDINE ST	20 COPPER	20 COPPER	16' SNL HOUSE	OPP S/C	NEW SVC PUSHED & OLD SVC CUT OFF AT CORP. REVERSE TAPPED

LEAD SERVICES TO BE RENEWED TO R. ALL OTHERS TO BE RECONNECTED

NOTE:
ALL GATE VALVES ARE CLOCKWISE TO OPEN W/ A RED OPERATING NUT



WARNING
IF POWER EQUIPMENT OR EXPLOSIVES ARE TO BE USED FOR EXCAVATION ON THIS PROJECT THE CONTRACTOR MUST:
1) NOTIFY THE GAS COMPANY OF THE PROPOSED LOCATION OF EXCAVATION.
2) TAKE PRECAUTION TO AVOID DAMAGE TO GAS COMPANY INSTALLATIONS.
SEE PROVINCIAL REGULATION 21072 FOR DETAILS

LOCATION APPROVED
UNDERGROUND STRUCTURES
SUPV. U/G STRUCTURES COMMITTEE DATE
NOTE:
LOCATION OF UNDERGROUND STRUCTURES AS SHOWN ARE BASED ON THE BEST INFORMATION AVAILABLE BUT NO GUARANTEE IS GIVEN THAT ALL EXISTING UTILITIES ARE SHOWN OR THAT THE GIVEN LOCATIONS ARE EXACT. CONFIRMATION OF EXISTENCE AND EXACT LOCATION OF ALL SERVICES MUST BE OBTAINED FROM THE INDIVIDUAL UTILITIES BEFORE PROCEEDING WITH CONSTRUCTION.

B.M. ELEV.			
CONSTRUCTION COMPLETION DATE: YYYY MM DD			
NO.	REVISIONS	DATE	BY
2	BID OPPORTUNITY 382-2014	APRIL/14	P.R.
1	DESIGN REVIEW W & W	APRIL/14	P.R.

WSP 1600 BUFFALO PLACE WINNIPEG, MB, R3T 6B8 PHONE: 204-477-6650 FAX: 204-474-2864 WWW.WSPGROUP.COM

DESIGNED BY: P.R.	CHECKED BY: S.M.
DRAWN BY: R.H.	APPROVED BY: I.McK.
SCALE: HORIZONTAL 1:250 VERTICAL 1:50	RELEASED FOR CONSTRUCTION S. COURNOYER, P. ENG
DATE: 2014 04 16	DATE: 2014 04 15

ENGINEER'S SEAL
PROVINCE OF MANITOBA
I. G. McKINNON
REGISTERED PROFESSIONAL ENGINEER

THE CITY OF WINNIPEG
WATER AND WASTE DEPARTMENT
ENGINEERING DIVISION
2014 WATERMAIN RENEWALS
ALDINE STREET
90M>NNL OF LODGE AVENUE TO
85M SSL OF BRUCE AVENUE

SHEET 2 OF 3
CITY DRAWING NUMBER D-13571