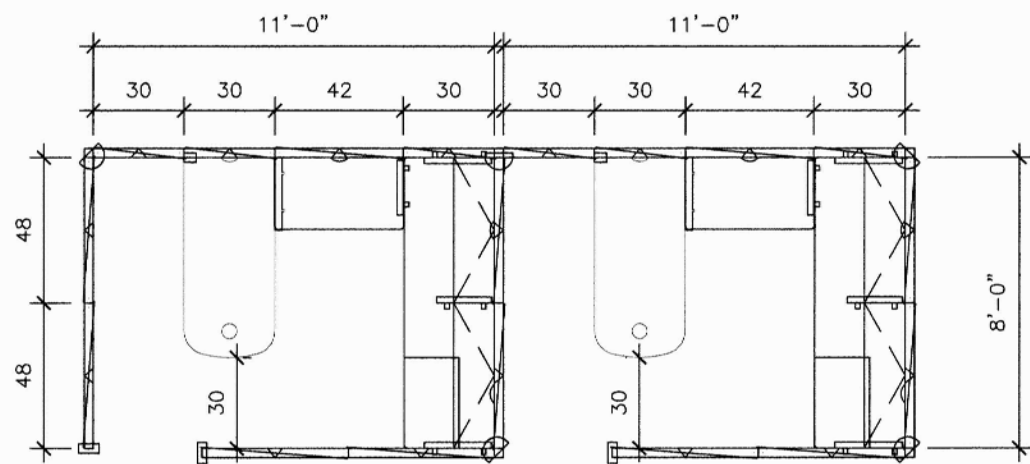
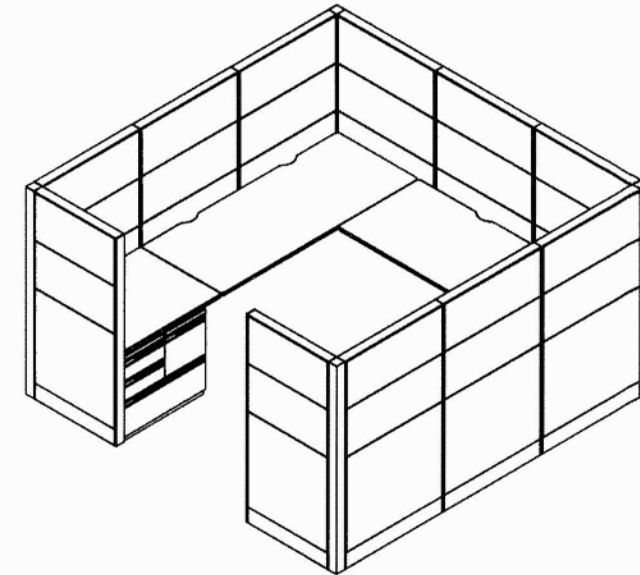
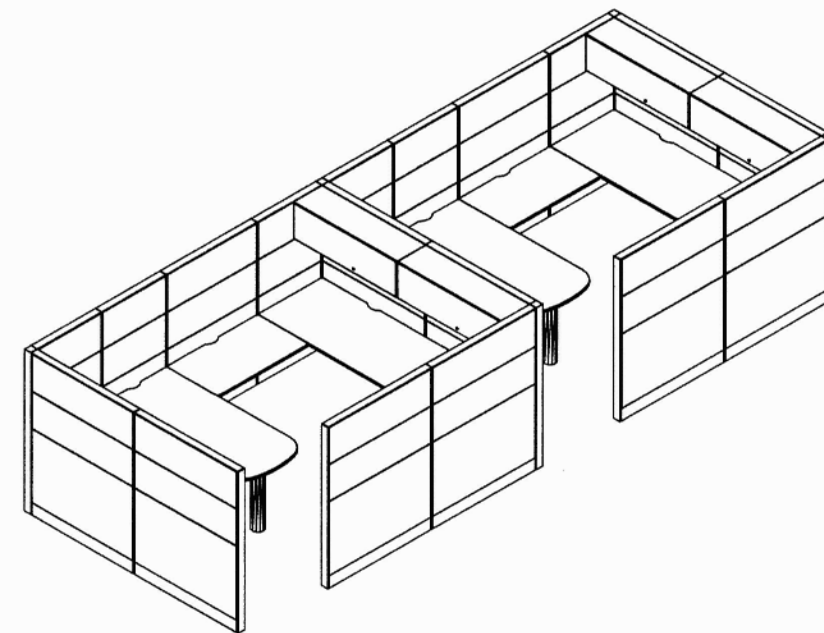


M209



M205

M212




PANEL HEIGHT 66"

FINISHES:

DESKTOP
YM MAPLE

METAL COMPONENTS
G-GREY

FABRIC COVER
C510 CHANGSHA

 THE CITY OF WINNIPEG PLANNING, PROPERTY AND DEVELOPMENT DEPARTMENT MUNICIPAL ACCOMMODATIONS DIVISION 3-65 GARRY STREET, R3C 4K4			PROJECT FORT GARRY PLACE PLAN EXAMINATION OFFICE UNIT 83-30 FORT STREET		SHEET TITLE WORK STATION LAYOUTS FOR PLAN EXAMINERS	
DRAWN BY:	DESIGNED BY:	CHECKED BY: JAD	APPROVED BY:	DATE: 2014.04.07	SCALE: N.T.S.	SHEET No: A2
				eFILE: 2013-087_11X17-Cubicles.dwg	PROJECT No: 2013-087	