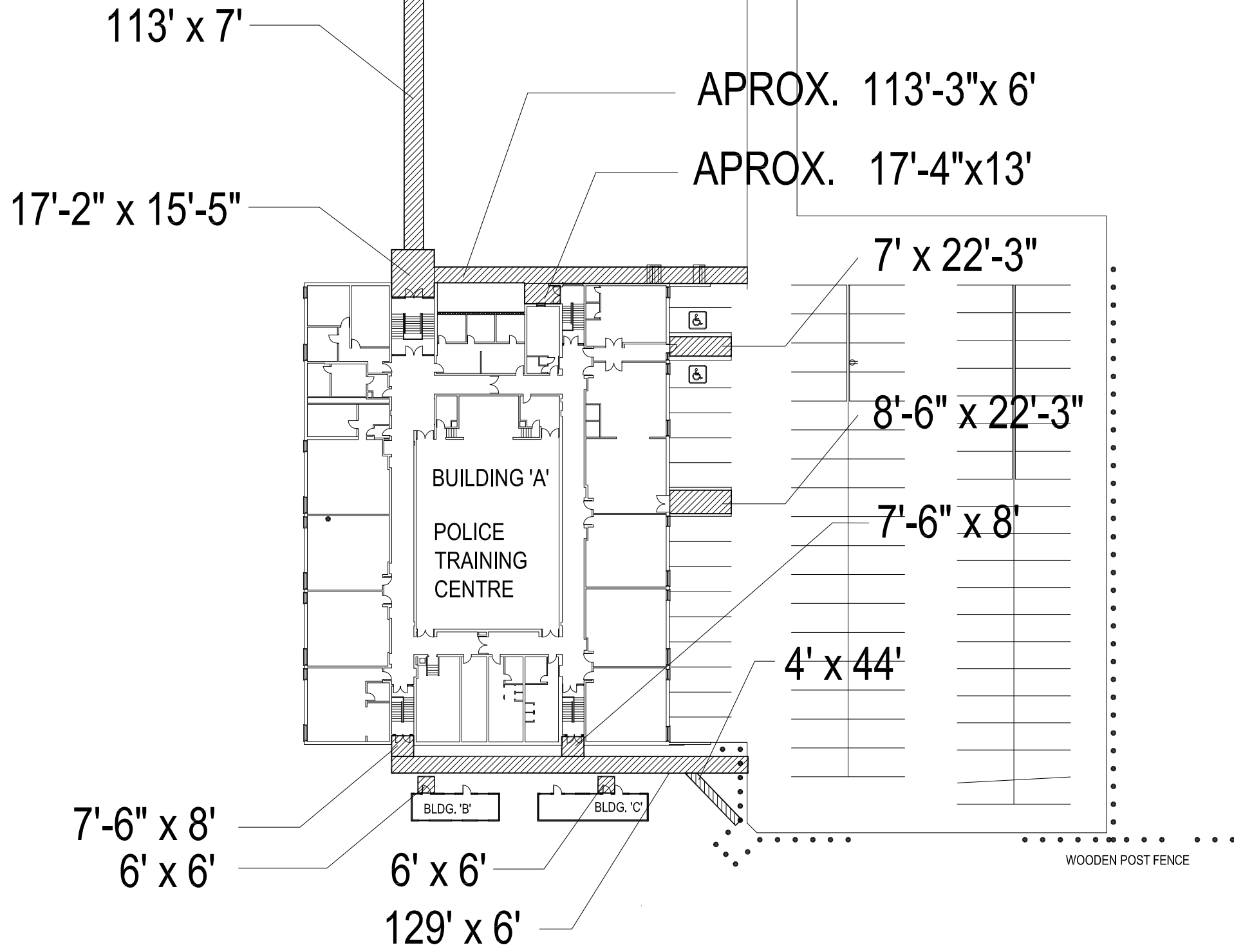


FILE NAME: XXXXXX-XX/00.dwg | DATE: YEAR.MM.DD | DESCRIPTION: SITE PLAN | PROJECT No: XXXXXX-XX | ADDRESS: 130 ALLARD

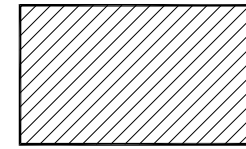
NOTES :



ALLARD STREET



AREA OF SNOW REMOVAL = 3,305 SQ. FT.



NO.	REVISION/DESCRIPTION	BY	DATE
SEALS			

DRAWN BY	TC	CHECKED BY	APPROVED
DATE	20140109	USER APPROVAL	

CITY OF WINNIPEG
 PLANNING, PROPERTY AND
 DEVELOPMENT DEPARTMENT
 CIVIC ACCOMMODATIONS DIVISION
 300 - 65 GARRY ST. R3C 4K4

PROJECT
 POLICE TRAINING CENTRE

130 ALLARD

SHEET TITLE
 SITE PLAN
 SNOW REMOVAL
0130ALS

SCALE	PROJECT NO.	SHEET NO.
AS SHOWN	817-2011	A1