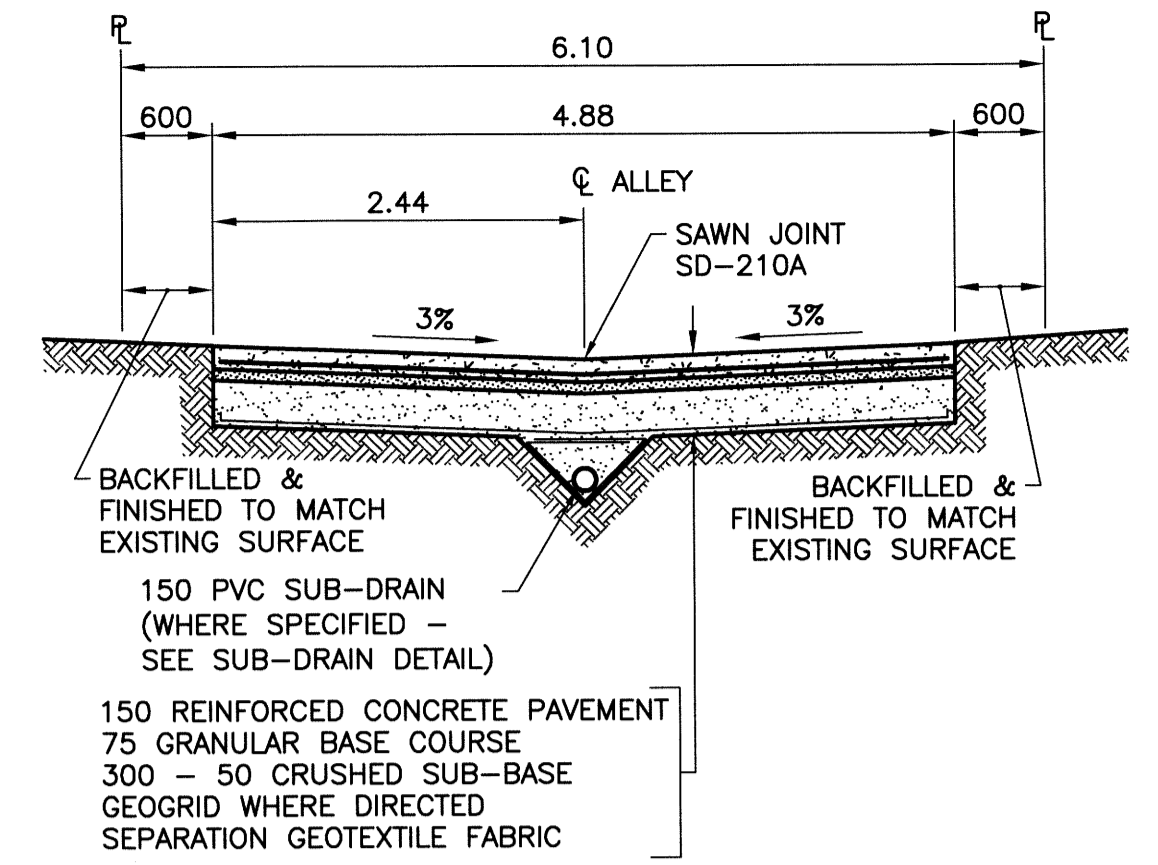


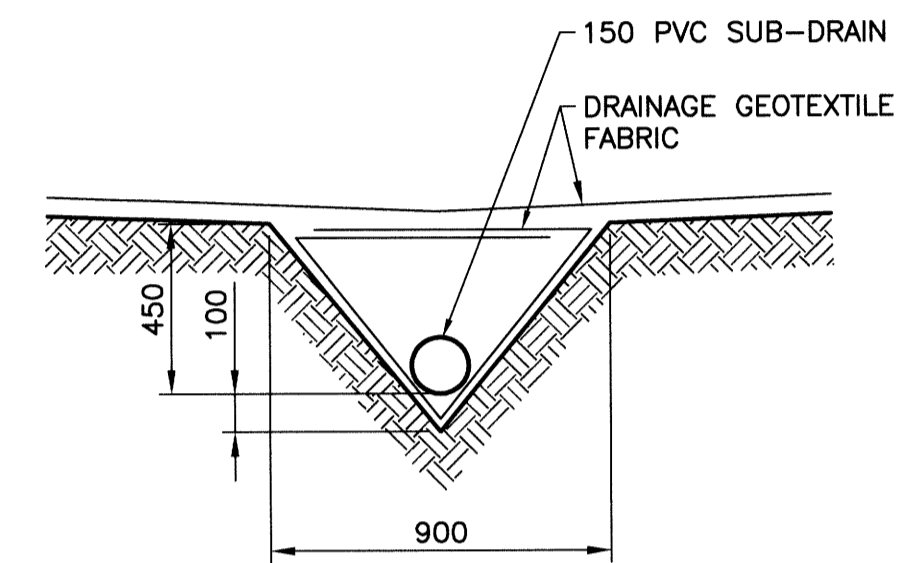
ALLEY PAVEMENT PROFILE

SCALE: 1:250 HOR
1:10 VER



TYPICAL CROSS SECTION

SCALE: 1:50



SUB-DRAIN DETAIL

SCALE: 1:20

NOTES:

1. STATION CHAINAGE IS BASED ON CENTERLINE OF ALLEY RIGHT OF WAY.
2. ADJUST MH AND CB RIMS TO NEW GRADES.
3. PLUG SUB-DRAINS AT TERMINAL ENDS.
4. REGRADE EXISTING PRIVATE SIDEWALKS AS REQUIRED.
5. INSTALLATION OF LIP CURBS AND THEIR EXTENTS TO BE DETERMINED BY THE CONTRACT ADMINISTRATOR.
6. LIGHT STANDARDS, HYDRO POLES AND ANCHORS MAY REQUIRE TEMPORARY SUPPORT/REMOVAL OR REPLACEMENT AT THE CONTRACTOR'S EXPENSE.
7. ISOLATE ALL POLES, BASES AND PILES WITHIN ALLEY RIGHT OF WAY (SD-228C)
8. AVOID DAMAGE TO EXISTING TREES WITHIN THE LIMITS OF CONSTRUCTION.

WARNING

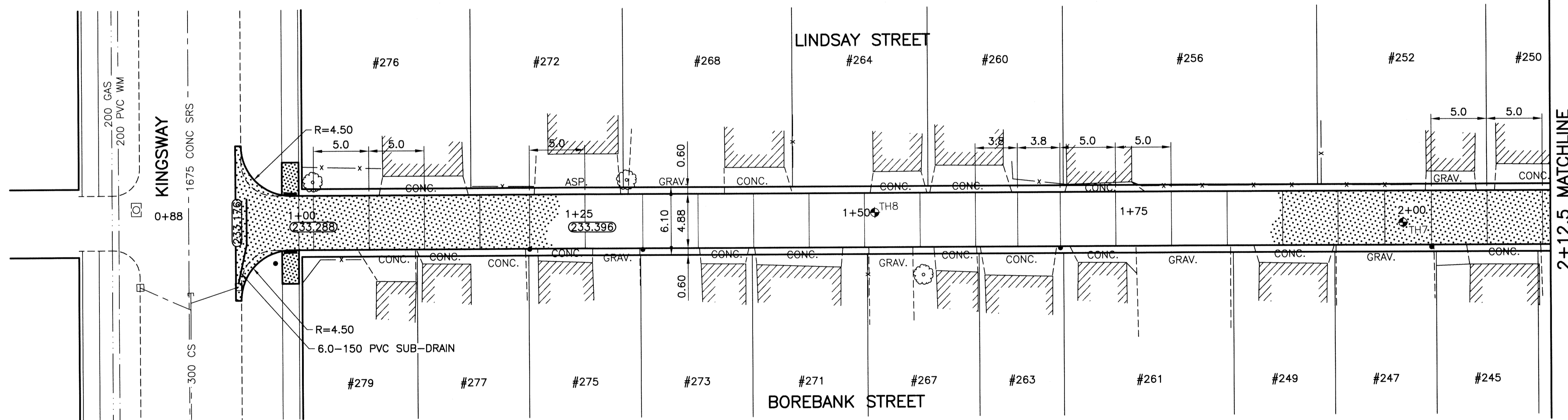
NOTIFY THE GAS COMPANY OF THE PROPOSED LOCATION OF EXCAVATION. TAKE PRECAUTION TO AVOID DAMAGE TO GAS COMPANY INSTALLATIONS. SEE PROVINCIAL REGULATION 210/72 FOR DETAILS.

METRIC

WHOLE NUMBERS INDICATE MILLIMETRES
DECIMALIZED NUMBERS INDICATE METRES

PROPERTY LIMITS DELINEATION

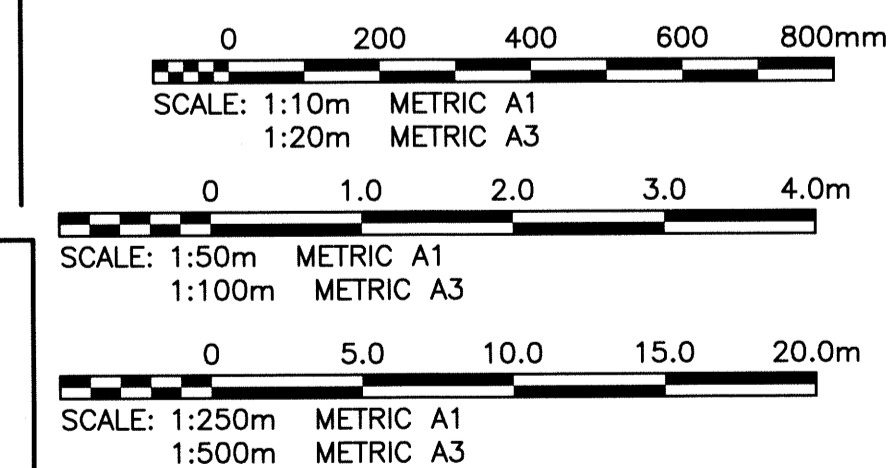
DELINEATION OF PROPERTY LIMITS AS SHOWN ON THIS DWG DOES NOT REPRESENT A "LEGAL SURVEY". KGS GROUP MAKES NO REPRESENTATION OR WARRANTY AS TO THE ACCURACY OF PROPERTY LIMITS DELINEATED ON THIS DWG, NOR ON THE DIMENSIONAL ACCURACY OF DWG FEATURES RELATIVE TO THOSE PROPERTY LIMITS.



ALLEY PAVEMENT PLAN

SCALE: 1:250 HOR

2+12.5 MATCHLINE



APEGM
Certificate of Authorization
KGS Group
No. 245

300 L.DS	LAND DRAINAGE SEWER	300 L.DS	TEST HOLE				
250 WWS	WASTE WATER SEWER	250 WWS	GUY WIRE				
	GAS		LIGHT STANDARD				
	HYDRO		BACK OF CURB				
	M.T.S.		CONCRETE				
150 WM	WATERMAIN	150 WM	ASPHALT				
◇	HYDRANT	◆	SIDEWALK				
○	VALVE	●	PROPERTY LINE				
□	MANHOLE	⊕	SURVEY BAR				
▽	CATCH BASIN	⊙	GEODETIC BENCHMARK				
□	CURB INLET	⊖	ELEVATION				
•	POLES T-HYDRO						
•	POLES H-HYDRO						
EXISTING	LEGEND-PLAN	PROPOSED	EXISTING	LEGEND-PLAN	PROPOSED	EXISTING	LEGEND-PROFILE

LOCATION APPROVED UNDERGROUND STRUCTURES

SUPV. U/G STRUCTURES COMMITTEE DATE

NOTE:
LOCATION OF UNDERGROUND STRUCTURES AS SHOWN ARE BASED ON THE BEST INFORMATION AVAILABLE BUT NO GUARANTEE IS GIVEN THAT ALL EXISTING UTILITIES ARE SHOWN OR THAT THE GIVEN LOCATIONS ARE EXACT. CONFIRMATION OF EXISTENCE AND EXACT LOCATION OF ALL SERVICES MUST BE OBTAINED FROM THE INDIVIDUAL UTILITIES BEFORE PROCEEDING WITH CONSTRUCTION.

B.M. 51-036 ELEV. 233.341	S.W. Cor. Kingsway & Borebank St., Tbl. in 4.6m Conc. pile, 2.5m E. of W.L. Borebank St. & 0.6m S. of S.L. Kingsway
ISSUED FOR TENDER	14/05/23
NO. REVISIONS	DATE BY

KGS GROUP CONSULTING ENGINEERS	
DESIGNED BY: GES	CHECKED BY: CR
DRAWN BY: GEL	APPROVED BY: MPA
HOR. SCALE: 1:250	RELEASED FOR CONSTRUCTION:
VERTICAL: 1:50	DATE: 14/03/14

ENGINEER'S SEAL
M.C. ROWBOTHAM
REGISTERED PROFESSIONAL ENGINEER
MAY 25, 2014

THE CITY OF WINNIPEG
PUBLIC WORKS DEPARTMENT
TRANSPORTATION ENGINEERING DIVISION

PROJECT TITLE: 2013 ALLEY RENEWAL PROGRAM CONTRACT 1
LINDSAY STREET/BOREBANK STREET
KINGWAY TO ACADEMY ROAD
KINGWAY TO STA 2+12.5

SHEET OF: 03 OF 14
COMPUTER FILE NAME: 13-0107-031_CALL
CITY DRAWING NUMBER: 0003

CONSULTANT DRAWING NO.: 13-0107-007_C03