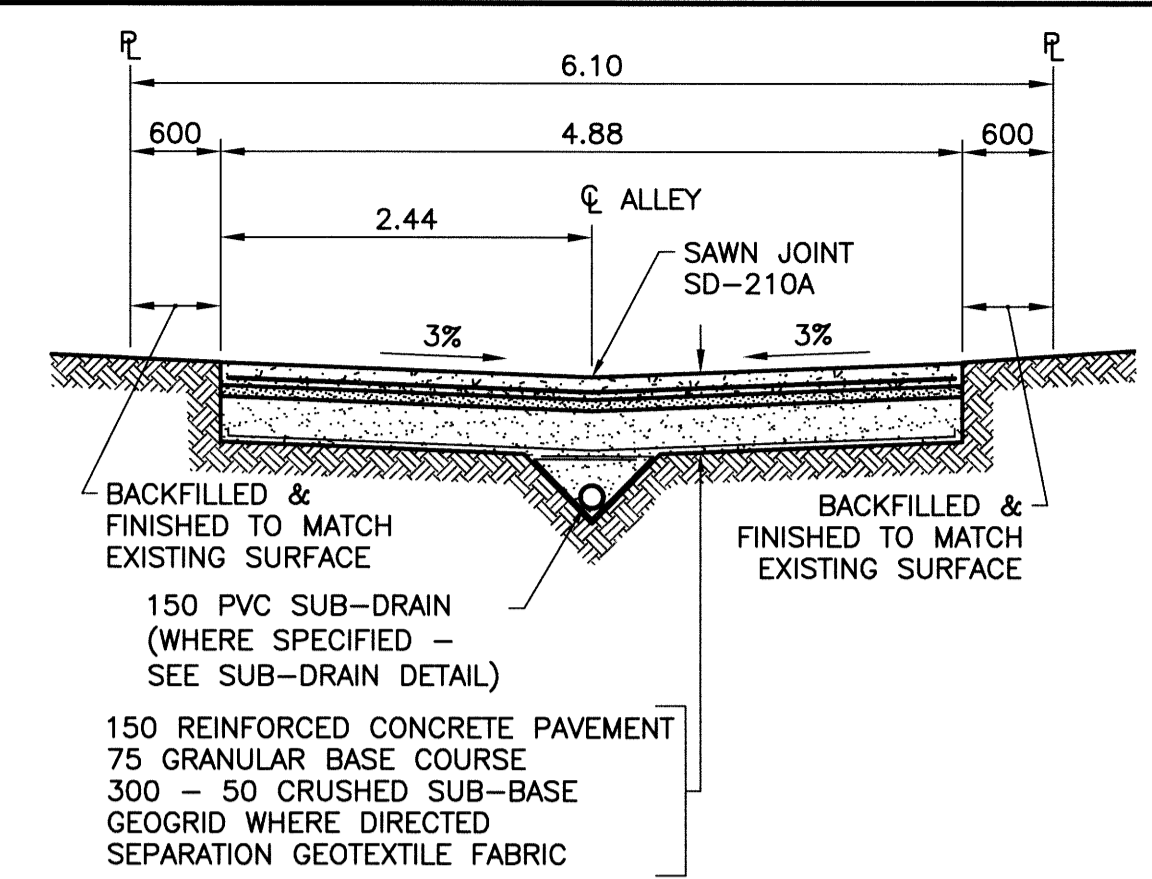
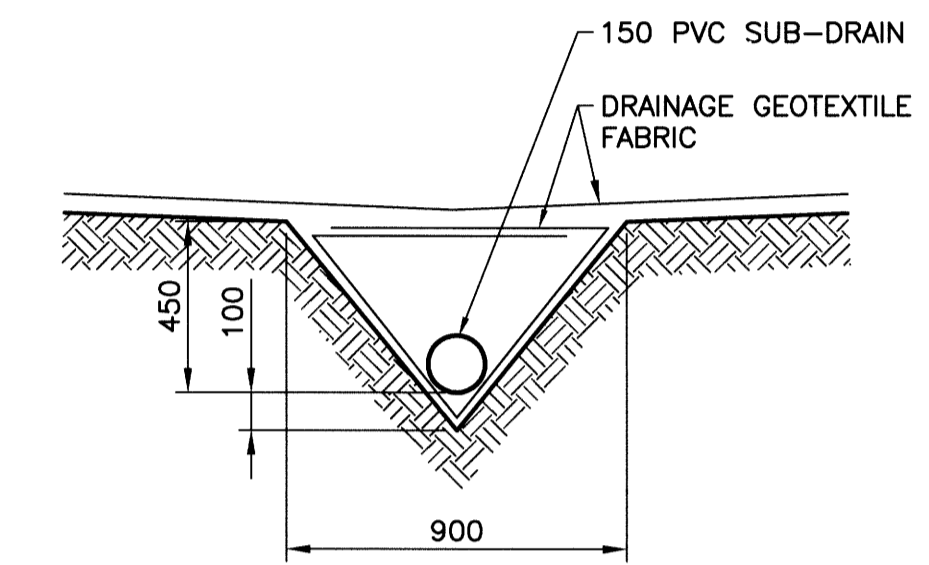


ALLEY PAVEMENT PROFILE
SCALE: 1:250 HOR
1:10 VER



TYPICAL CROSS SECTION
SCALE: 1:50



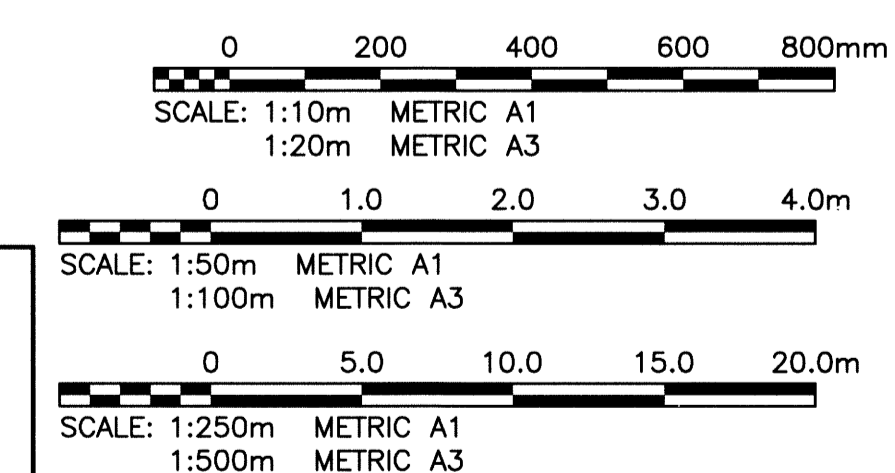
SUB-DRAIN DETAIL
SCALE: 1:20

- NOTES:**
1. STATION CHAINAGE IS BASED ON CENTERLINE OF ALLEY RIGHT OF WAY.
 2. ADJUST MH AND CB RIMS TO NEW GRADES.
 3. PLUG SUB-DRAINS AT TERMINAL ENDS.
 4. REGRADE EXISTING PRIVATE SIDEWALKS AS REQUIRED.
 5. INSTALLATION OF LIP CURBS AND THEIR EXTENTS TO BE DETERMINED BY THE CONTRACT ADMINISTRATOR.
 6. LIGHT STANDARDS, HYDRO POLES AND ANCHORS MAY REQUIRE TEMPORARY SUPPORT/REMOVAL OR REPLACEMENT AT THE CONTRACTOR'S EXPENSE.
 7. ISOLATE ALL POLES, BASES AND PILES WITHIN ALLEY RIGHT OF WAY (SD-228C)
 8. AVOID DAMAGE TO EXISTING TREES WITHIN THE LIMITS OF CONSTRUCTION.

WARNING
NOTIFY THE GAS COMPANY OF THE PROPOSED LOCATION OF EXCAVATION. TAKE PRECAUTION TO AVOID DAMAGE TO GAS COMPANY INSTALLATIONS. SEE PROVINCIAL REGULATION 210/72 FOR DETAILS.

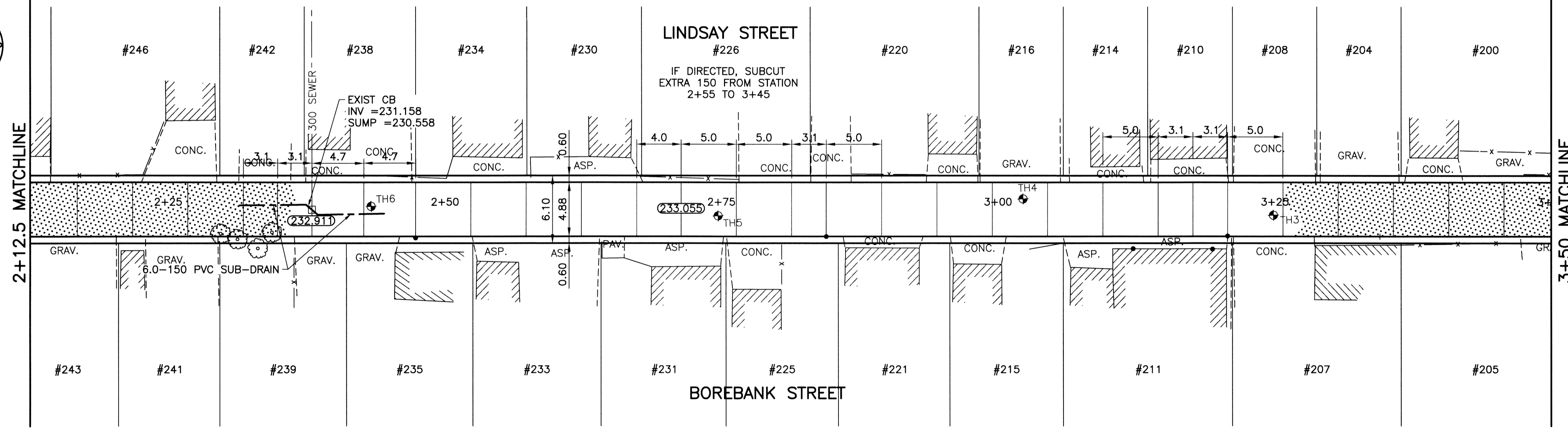
METRIC
WHOLE NUMBERS INDICATE MILLIMETRES
DECIMALIZED NUMBERS INDICATE METRES

PROPERTY LIMITS DELINEATION
DELINEATION OF PROPERTY LIMITS AS SHOWN ON THIS DWG DOES NOT REPRESENT A "LEGAL SURVEY". KGS GROUP MAKES NO REPRESENTATION OR WARRANTY AS TO THE ACCURACY OF PROPERTY LIMITS DELINEATED ON THIS DWG, NOR ON THE DIMENSIONAL ACCURACY OF DWG FEATURES RELATIVE TO THOSE PROPERTY LIMITS.

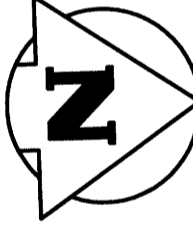


ALLEY SEWER PROFILE
SCALE: 1:250 HOR
1:100 VER

← PHASE 1 | PHASE 2 →



ALLEY PAVEMENT PLAN
SCALE: 1:250 HOR



300 L.D.S.	LAND DRAINAGE SEWER	300 L.D.S.	TEST HOLE		
250 W.W.S.	WASTE WATER SEWER	250 W.W.S.	GUY WIRE		
	GAS		LIGHT STANDARD		
	HYDRO		BACK OF CURB		
	M.T.S.		CONCRETE		
150 W.M.	WATERMAIN	150 W.M.	ASPHALT		
	HYDRANT		SIDEWALK		
	VALVE		PROPERTY LINE		
	MANHOLE		SURVEY BAR		
	CATCH BASIN		GEODETIC BENCHMARK		
	CURB INLET		ELEVATION	231.334	32.231
	POLES				TTTTT
EXISTING	LEGEND-PLAN	PROPOSED	EXISTING	LEGEND-PROFILE	PROPOSED

LOCATION APPROVED UNDERGROUND STRUCTURES

SUPV. U/G STRUCTURES COMMITTEE DATE

NOTE:
LOCATION OF UNDERGROUND STRUCTURES AS SHOWN ARE BASED ON THE BEST INFORMATION AVAILABLE BUT NO GUARANTEE IS GIVEN THAT ALL EXISTING UTILITIES ARE SHOWN OR THAT THE GIVEN LOCATIONS ARE EXACT. CONFIRMATION OF EXISTENCE AND EXACT LOCATION OF ALL SERVICES MUST BE OBTAINED FROM THE INDIVIDUAL UTILITIES BEFORE PROCEEDING WITH CONSTRUCTION.

B.M. 51-036 ELEV. 233.341
S.W. Cor. Kingsway & Borebank St., Tblt. in 4.6m Conc. pile, 2.5m E. of W.L. Borebank St. & 0.6m S. of S.L. Kingsway.

APEGN
Certificate of Authorization
KGS Group
No. 245

KGS GROUP
CONSULTING ENGINEERS

DESIGNED BY: GES
DRAWN BY: GEL
HOR. SCALE: 1:250
VERTICAL: 1:50

CHECKED BY: CR
APPROVED BY: AOA
RELEASED FOR CONSTRUCTION: []
DATE: 14/03/14

ENGINEER'S SEAL
PROVINCE OF MANITOBA
M.C. ROWBOTHAM
REGISTERED PROFESSIONAL ENGINEER
No. 25879
MAY 13, 2014

CONSULTANT DRAWING NO.
13-0107-007_C04

THE CITY OF WINNIPEG
PUBLIC WORKS DEPARTMENT
TRANSPORTATION ENGINEERING DIVISION

PROJECT TITLE
2013 ALLEY RENEWAL PROGRAM
CONTRACT 1
LINDSAY STREET/BOREBANK STREET
KINGSWAY TO ACADEMY ROAD
STA 2+12.5 TO STA 3+50

SHEET OF
04 OF 14
COMPUTER FILE NAME
13-0107-031_CALL
CITY DRAWING NUMBER
0004

P:\Projects\2013\13-0107-031\Doc\Control\ToBalsaud\DWG\13-0107-031_C04-Rev 0.dwg - Tab: C04 Plotted By: Gloewen 05/22/2014 [Thu 9:57am] PLOT 1:1 A-1