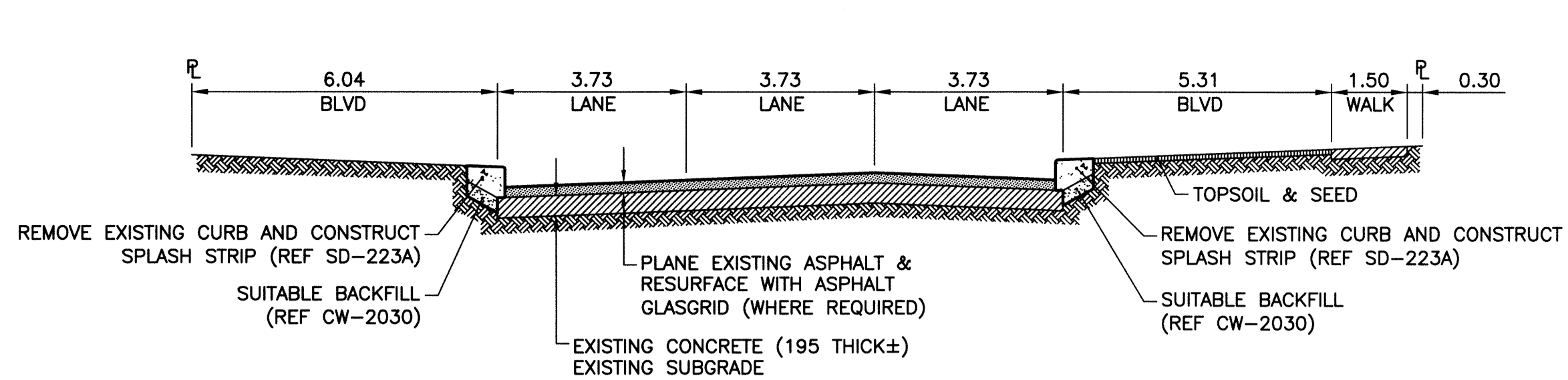
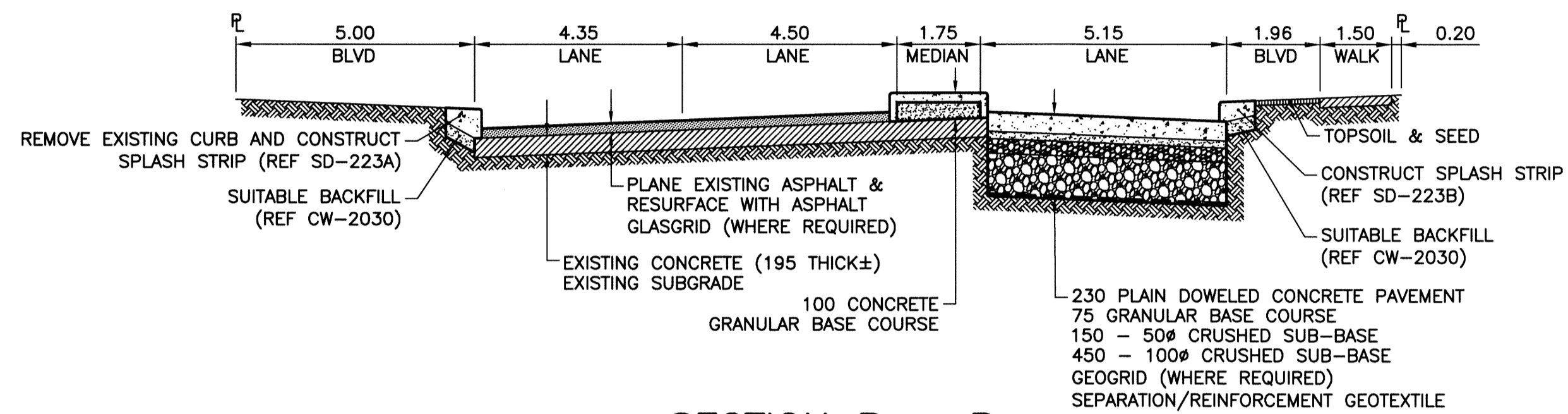


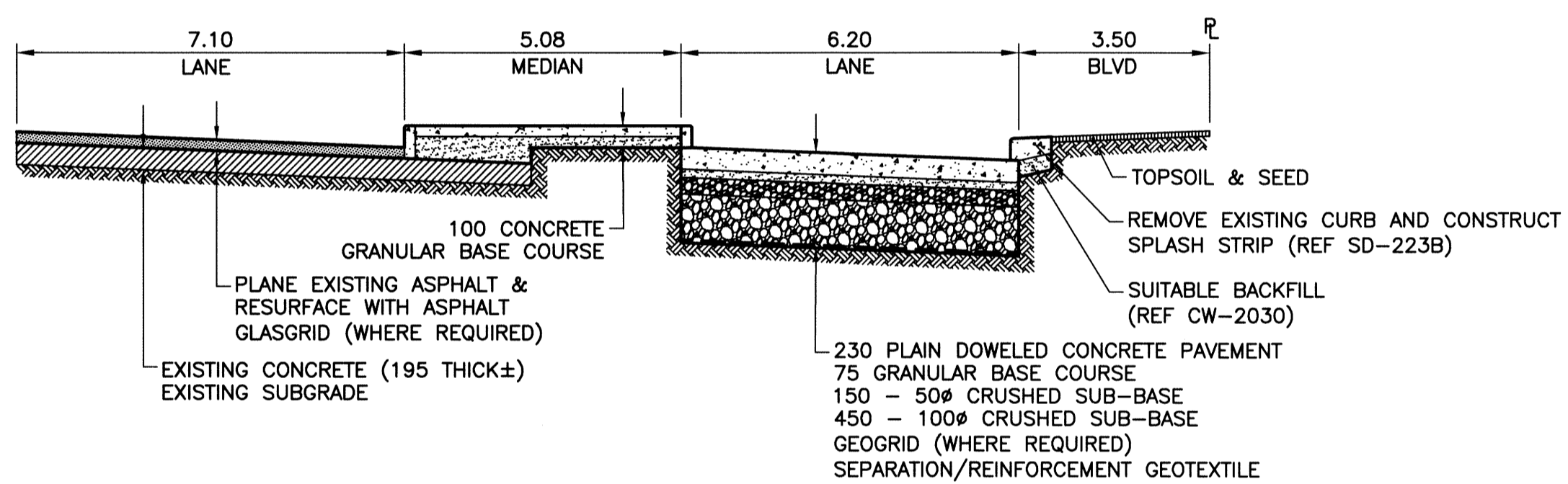
File Path: S:\Projects\2013\13-0107-005_P-3357-05-Rev.0.dwg - Tab: P-3357-05-Rev.0.dwg - Plotted By: Gloewen 14/05/28 [Wed 10:55am]
 Plot Date: 14/05/28 10:55 AM
 Scale: 1:100



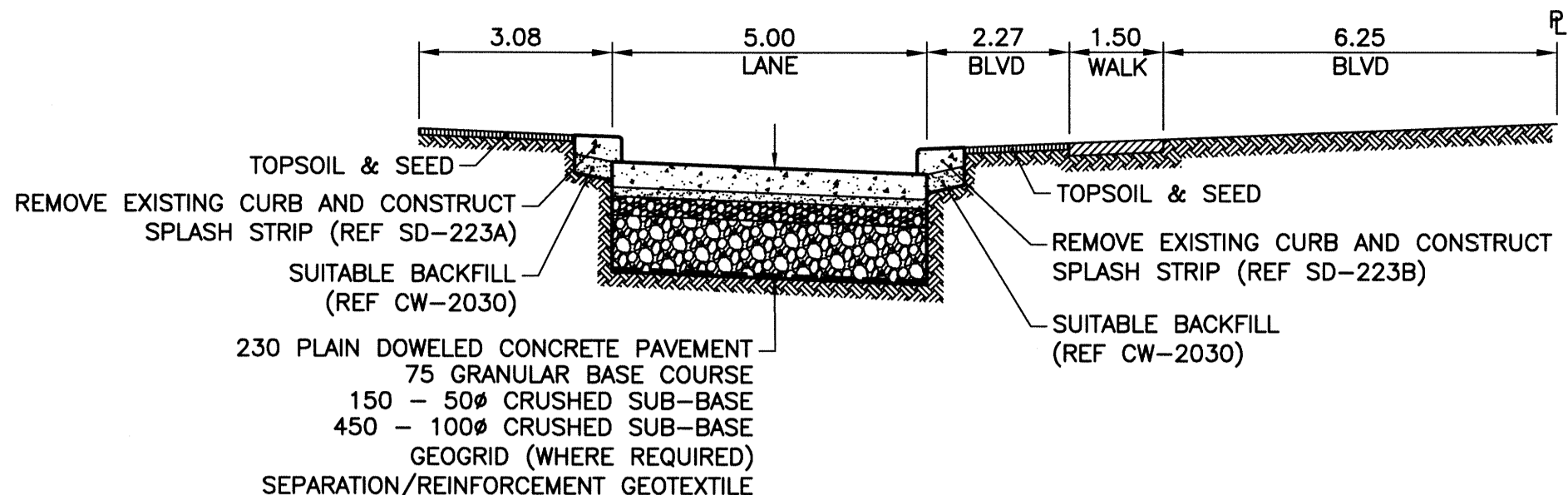
SECTION A - A
 SCALE HOR 1:100
 VER 1:50



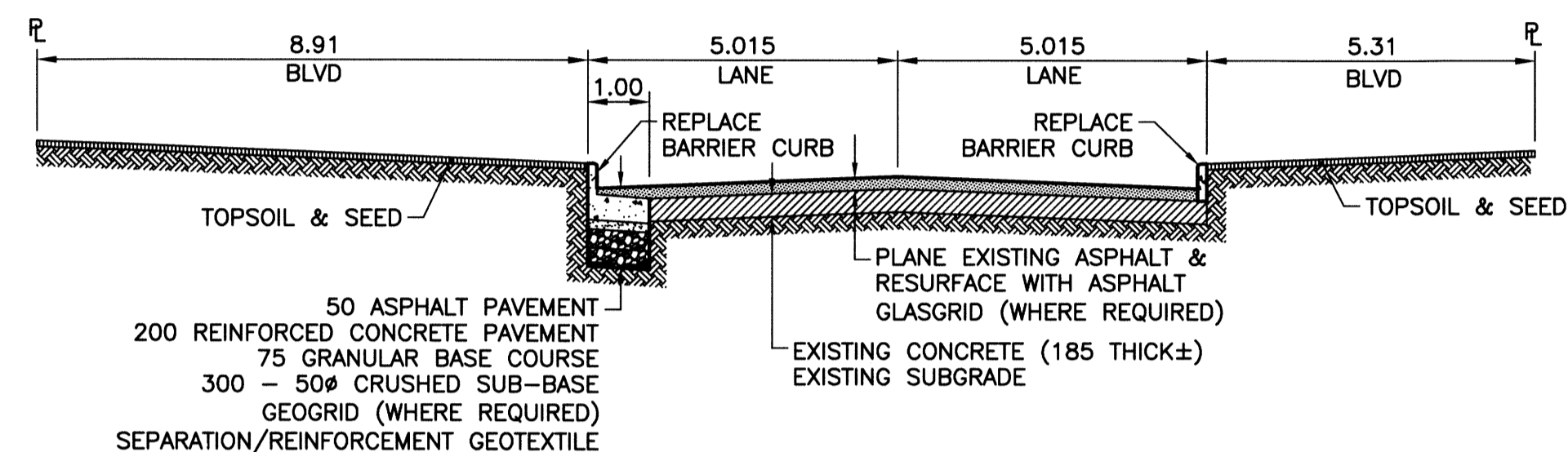
SECTION B - B
 SCALE HOR 1:100
 VER 1:50



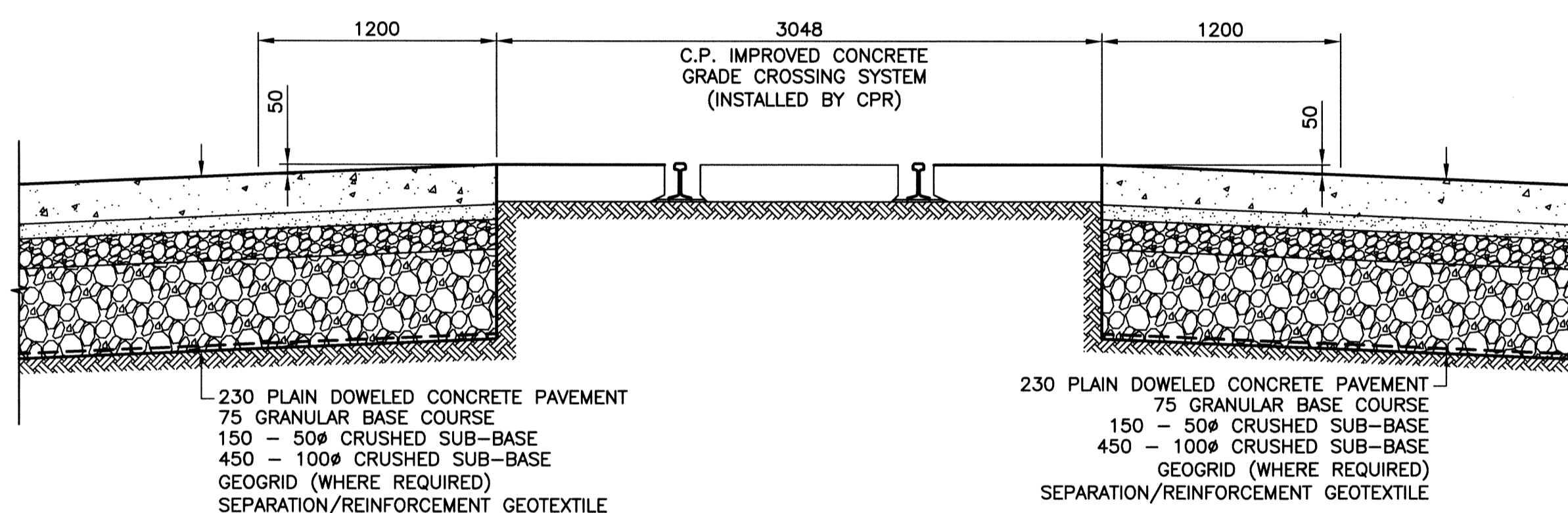
SECTION C - C
 SCALE HOR 1:100
 VER 1:50



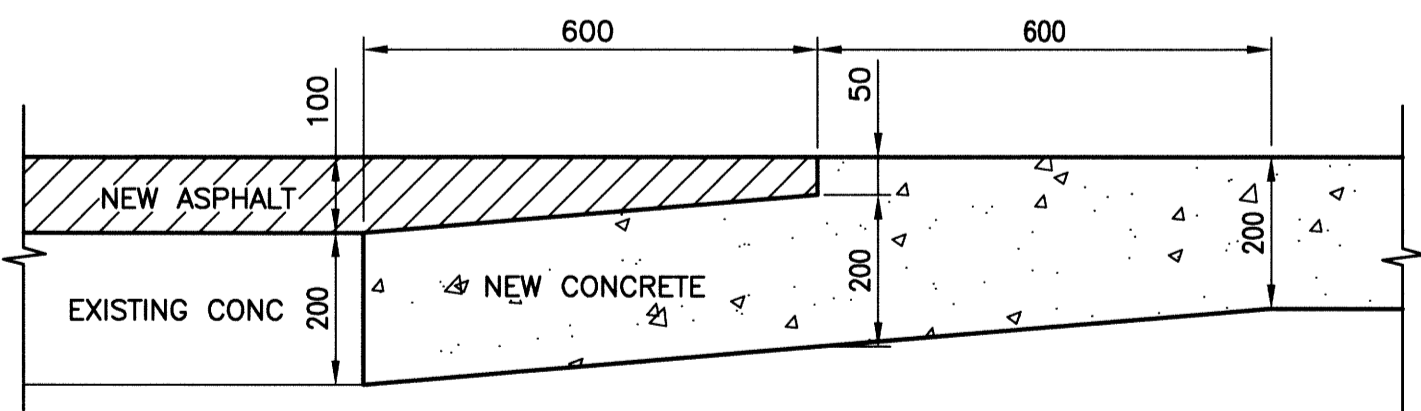
SECTION D - D
 SCALE HOR 1:100
 VER 1:50



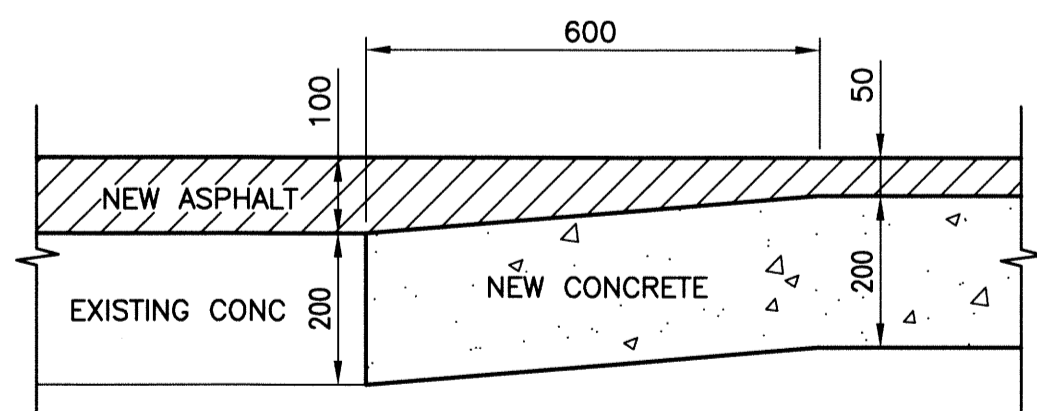
SECTION E - E
 SCALE HOR 1:100
 VER 1:50



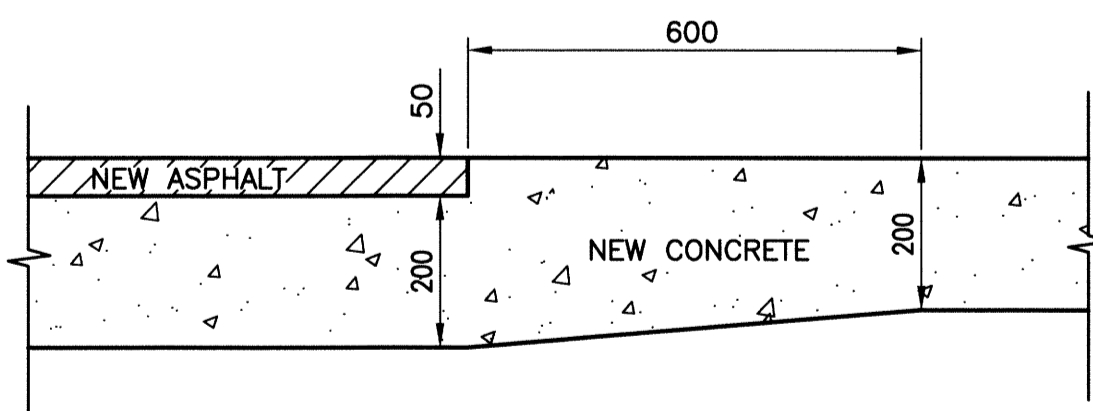
SECTION @ BORDER CP RAIL CROSSING
 SCALE 1:25



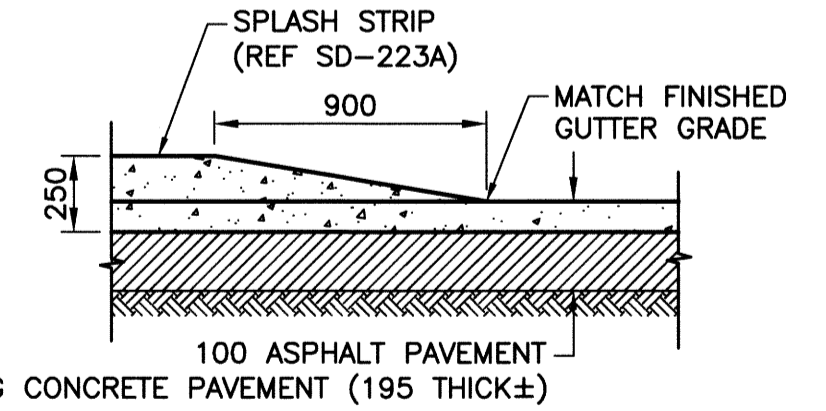
CONCRETE HEADER - TYPE 1
 SCALE 1:10



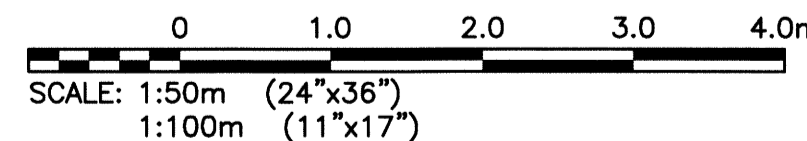
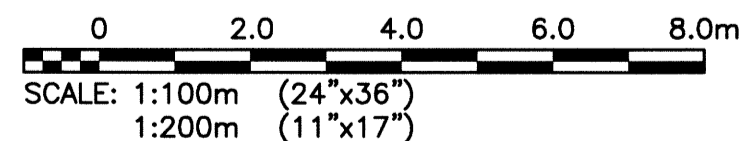
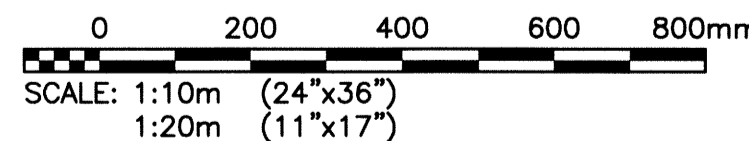
CONCRETE HEADER - TYPE 2
 SCALE 1:10



CONCRETE HEADER - TYPE 3
 SCALE 1:10



SPLASH STRIP TERMINATION (TYP)
 SCALE 1:25



APEGM
 Certificate of Authorization
 KGS Group
 No. 245

METRIC
 WHOLE NUMBERS INDICATE MILLIMETRES
 DECIMALIZED NUMBERS INDICATE METRES

WARNING

- NOTIFY THE GAS COMPANY OF THE PROPOSED LOCATION OF EXCAVATION.
- TAKE PRECAUTION TO AVOID DAMAGE TO GAS COMPANY INSTALLATIONS.
- SEE PROVINCIAL REGULATION 210/72 FOR DETAILS.

PROPERTY LIMITS DELINEATION

DELINEATION OF PROPERTY LIMITS AS SHOWN ON THIS DWG DOES NOT REPRESENT A "LEGAL SURVEY". KGS GROUP MAKES NO REPRESENTATION OR WARRANTY AS TO THE ACCURACY OF PROPERTY LIMITS DELINEATED ON THIS DWG, NOR ON THE DIMENSIONAL ACCURACY OF DWG FEATURES RELATIVE TO THOSE PROPERTY LIMITS.

LOCATION APPROVED UNDERGROUND STRUCTURES

SUPV. U/G STRUCTURES COMMITTEE DATE

NOTE:
 LOCATION OF UNDERGROUND STRUCTURES AS SHOWN ARE BASED ON THE BEST INFORMATION AVAILABLE BUT NO GUARANTEE IS GIVEN THAT ALL EXISTING UTILITIES ARE SHOWN OR THAT THE GIVEN LOCATIONS ARE EXACT. CONFIRMATION OF EXISTENCE AND EXACT LOCATION OF ALL SERVICES MUST BE OBTAINED FROM THE INDIVIDUAL UTILITIES BEFORE PROCEEDING WITH CONSTRUCTION.

B.M. KGS BASE ELEV.

DWG'S BASED ON C.S.R.S. NAD 83 SYSTEM, UTM GRID

NO.	ISSUED FOR TENDER	14/05/28	CR
NO.	REVISIONS	DATE	BY

KGS GROUP
 CONSULTING ENGINEERS

DESIGNED BY	AKW	CHECKED BY	CR
DRAWN BY	GEL	APPROVED BY	MHA
HOR. SCALE:	AS NOTED	RELEASED FOR CONSTRUCTION:	
VERTICAL:		DATE	13/02/21

ENGINEER'S SEAL

PROVINCE OF MANITOBA
 M.C. ROWBOTHAM
 Member
 22879
 MAY 28, 2014
 CONSULTANT DRAWING NO.
 13-0107-005_P-3357-05

THE CITY OF WINNIPEG
 PUBLIC WORKS DEPARTMENT
 TRANSPORTATION ENGINEERING DIVISION

PROJECT TITLE
 CENTURY ST. NORTHBOUND MILL & FILL AND NEW CONSTRUCTION SASKATCHEWAN AVE TO 200m SOUTH

SECTION NO.
 CENTURY ST & SASKATCHEWAN AVE SECTIONS

SHEET OF
 05 OF 06

COMPUTER FILE NAME
 CENTURY_SASK_PLOT

CITY DRAWING NUMBER
 P-3357-05