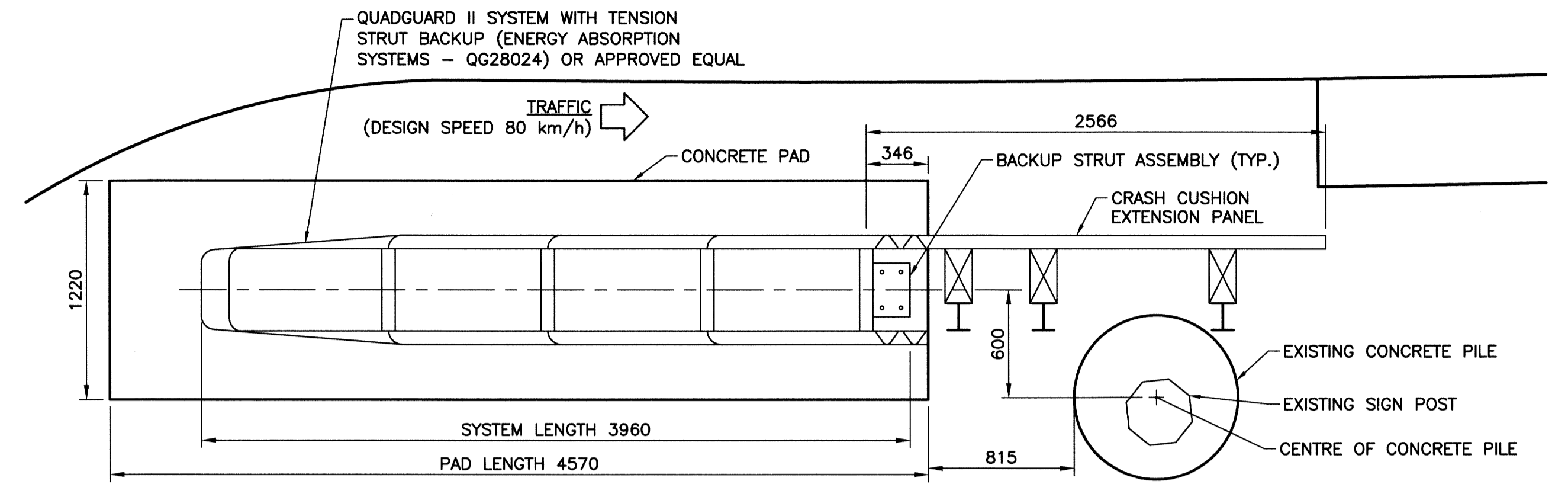
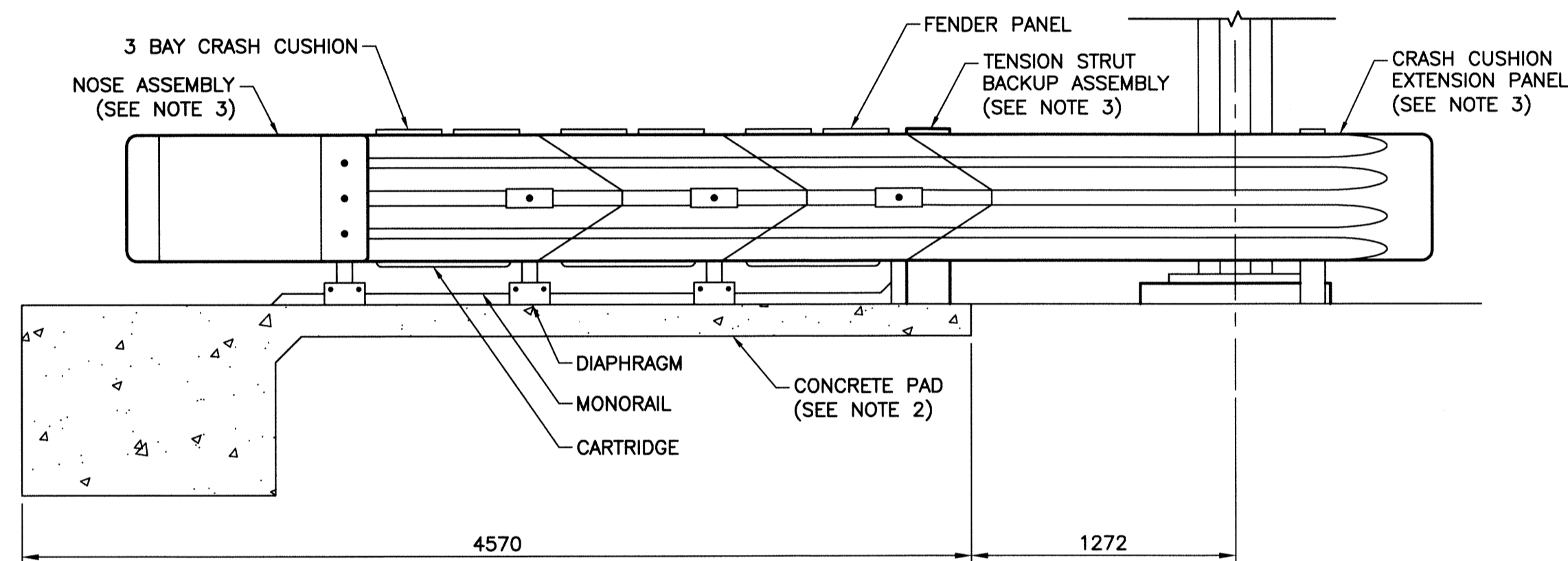


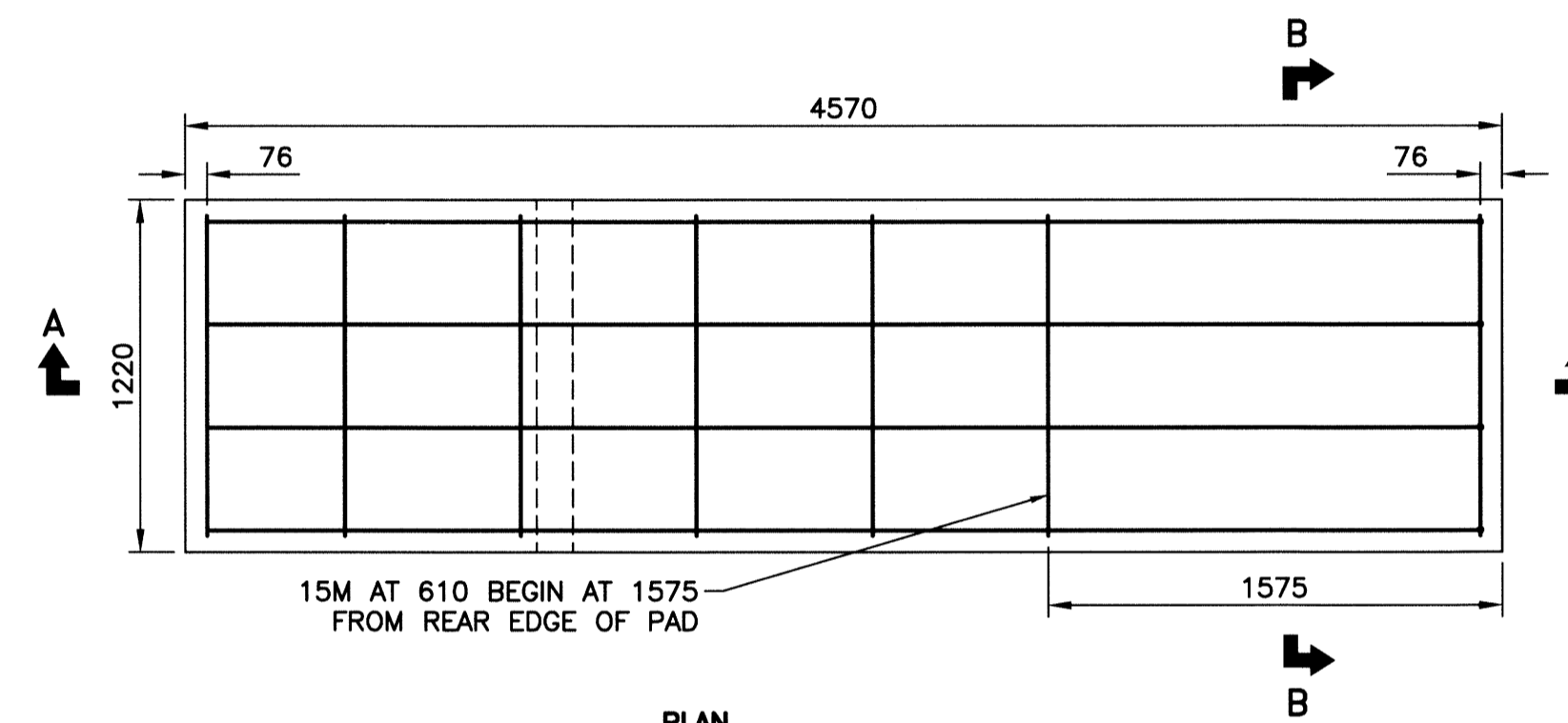
WEST CRASH CUSHION
SCALE 1:25



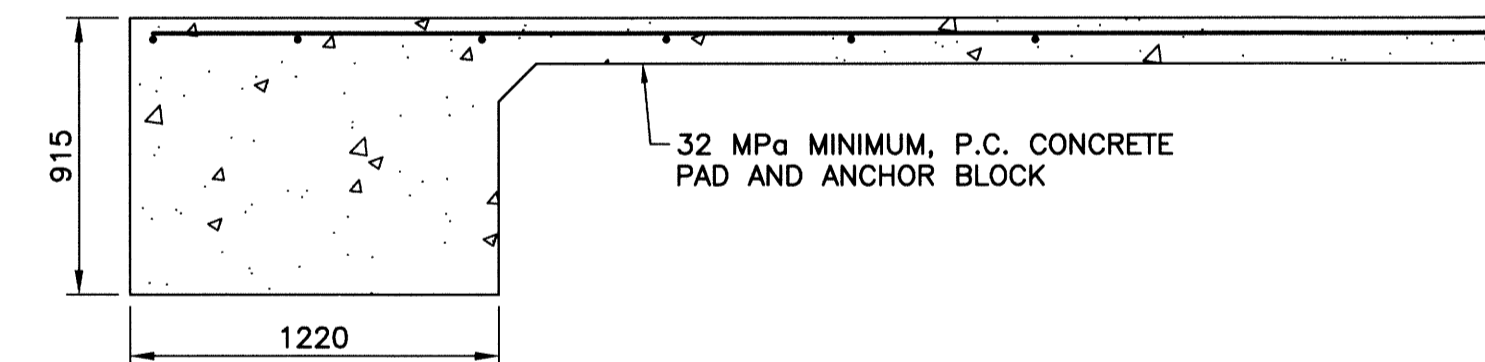
EAST CRASH CUSHION
SCALE 1:25



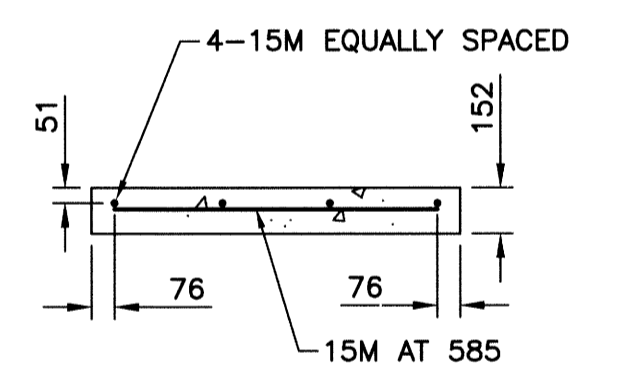
CRASH CUSHION SECTION (TYP)
SCALE 1:25



PLAN



SECTION A-A

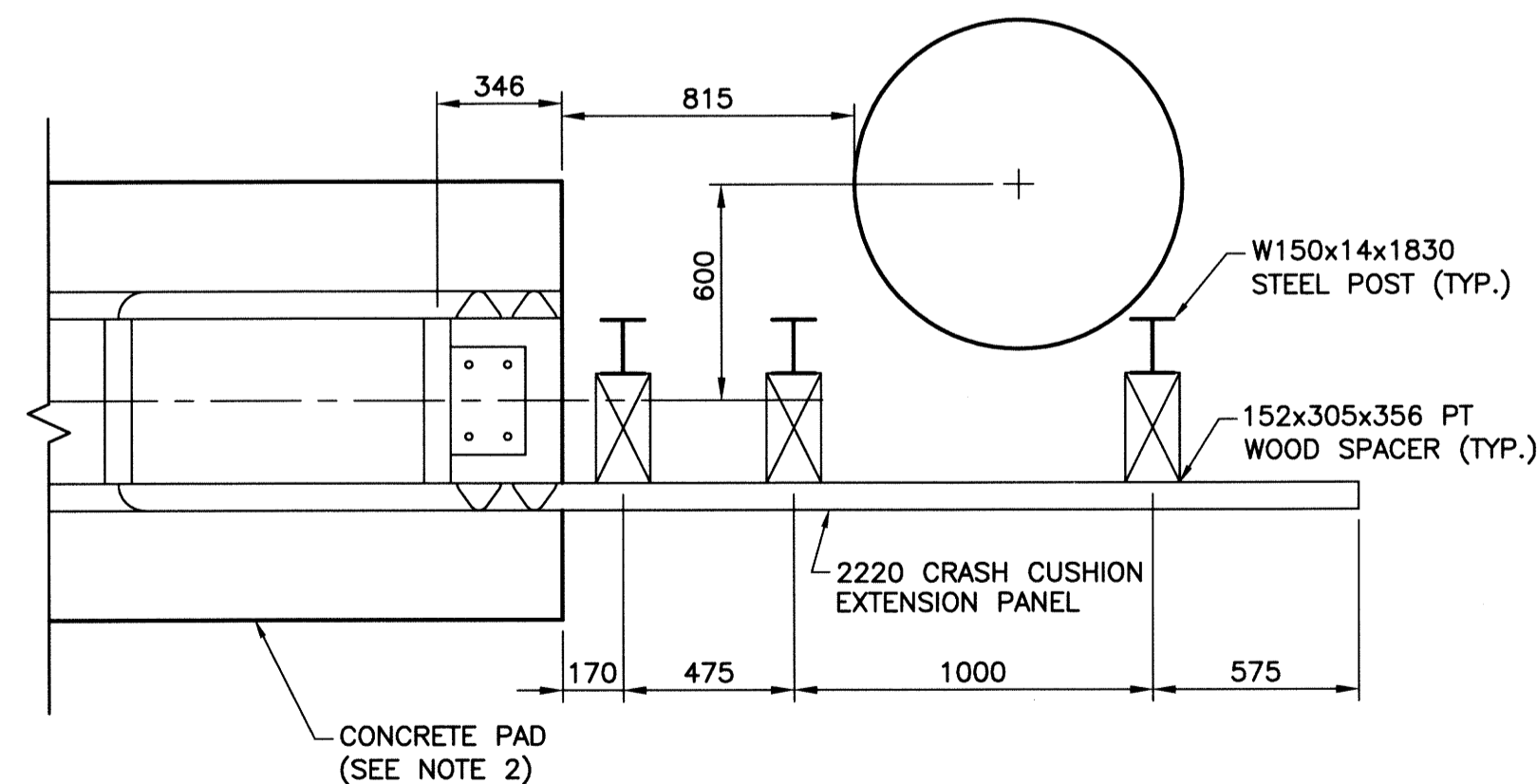


SECTION B-B

REINFORCING
SCALE 1:25

CRASH CUSHION WITH TENSION STRUT BACKUP NOTES:

1. PROVISION SHALL BE MADE FOR REAR FENDER PANELS TO SLIDE REARWARD UPON IMPACT 762 MIN.
2. 32MPa CONCRETE TO BE INSTALLED AS PER CW3310.
3. BACKUP, EXTENSION PANEL, AND NOSE ASSEMBLIES ARE NOT INCLUDED IN MODEL NUMBER, ORDER SEPARATELY.
4. CURB SHALL BE CURB RAMP ALONG ENTIRE LENGTH OF QUADGUARD II SYSTEM. CURB SHALL BE CURB RAMP ALONG APPROACH RADIUS IMMEDIATELY SOUTH OF QUADGUARD II SYSTEM.
5. CRASH CUSHION SHALL HAVE A DESIGN SPEED OF 80 km/h.
6. CRASH CUSHION INSTALLATION SHALL BE INSTALLED IN ACCORDANCE WITH THE MANUFACTURER'S INSTALLATION REQUIREMENTS.
7. ALL DIMENSIONS FROM CENTRE OF EXISTING CONCRETE PILE.



CRASH CUSHION EXTENSION PANEL
SCALE 1:20

ENGINEER'S SEAL FOR INSTALLATION LOCATION ONLY. CRASH CUSHION DESIGN BY MANUFACTURER.

APEGM
Certificate of Authorization
KGS Group
No. 245

THE CITY OF WINNIPEG
PUBLIC WORKS DEPARTMENT
TRANSPORTATION ENGINEERING DIVISION

PROJECT TITLE: CENTURY ST. NORTHBOUND MILL & FILL AND NEW CONSTRUCTION SASKATCHEWAN AVE TO 200m SOUTH
SHEET OF: 06 OF 06
COMPUTER FILE NAME: CENTURY_SASK_PLOT

CRASH CUSHION DETAILS

CITY DRAWING NUMBER: P-3357-06

LOCATION APPROVED UNDERGROUND STRUCTURES

SUPV. U/G STRUCTURES COMMITTEE DATE

NOTE: LOCATION OF UNDERGROUND STRUCTURES AS SHOWN ARE BASED ON THE BEST INFORMATION AVAILABLE BUT NO GUARANTEE IS GIVEN THAT ALL EXISTING UTILITIES ARE SHOWN OR THAT THE GIVEN LOCATIONS ARE EXACT. CONFIRMATION OF EXISTENCE AND EXACT LOCATION OF ALL SERVICES MUST BE OBTAINED FROM THE INDIVIDUAL UTILITIES BEFORE PROCEEDING WITH CONSTRUCTION.

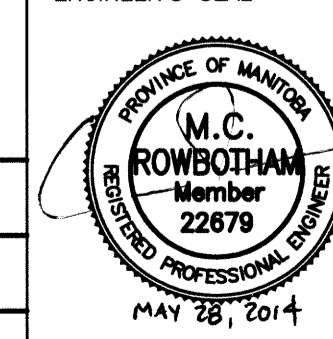
B.M. KGS BASE ELEV. DWG'S BASED ON C.S.R.S. NAD 83 SYSTEM, UTM GRID

DESIGNED BY: AKW CHECKED BY: CR
DRAWN BY: GEL APPROVED BY: RAH

HOR. SCALE: AS NOTED VERTICAL: RELEASSED FOR CONSTRUCTION: DATE: 13/02/21

KGS GROUP
CONSULTING ENGINEERS

ENGINEER'S SEAL



CONSULTANT DRAWING NO. 13-0107-005_P-3357-06

WARNING

1. NOTIFY THE GAS COMPANY OF THE PROPOSED LOCATION OF EXCAVATION.
2. TAKE PRECAUTION TO AVOID DAMAGE TO GAS COMPANY INSTALLATIONS.
3. SEE PROVINCIAL REGULATION 210/72 FOR DETAILS.

PROPERTY LIMITS DELINEATION

DELINEATION OF PROPERTY LIMITS AS SHOWN ON THIS DWG DOES NOT REPRESENT A "LEGAL SURVEY". KGS GROUP MAKES NO REPRESENTATION OR WARRANTY AS TO THE ACCURACY OF PROPERTY LIMITS DELINEATED ON THIS DWG. NOR ON THE DIMENSIONAL ACCURACY OF DWG FEATURES RELATIVE TO THOSE PROPERTY LIMITS.

METRIC

WHOLE NUMBERS INDICATE MILLIMETRES
DECIMALIZED NUMBERS INDICATE METRES