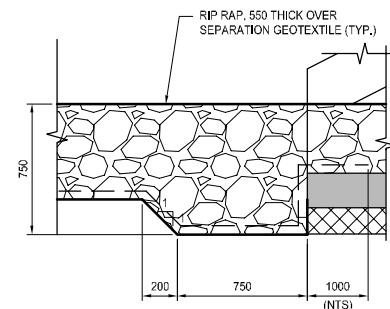
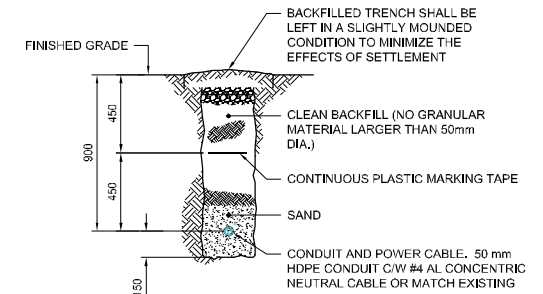


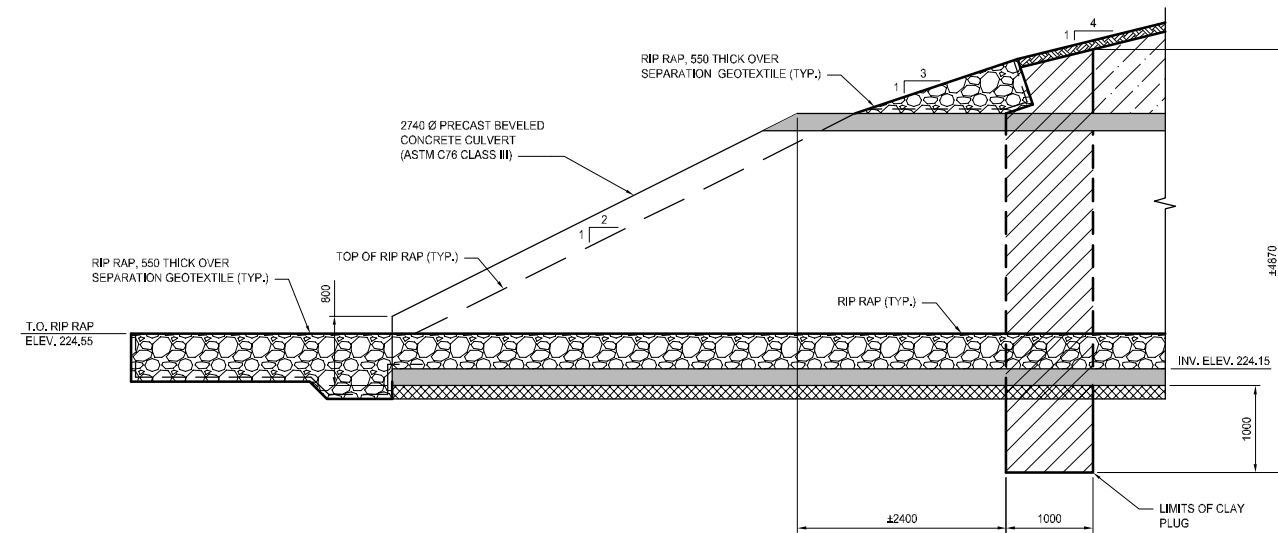
**SECTION**  
1:40 (SHOWING CLAY PLUG) C 04 | 05



**DETAIL**  
1:20 1 04 | 05

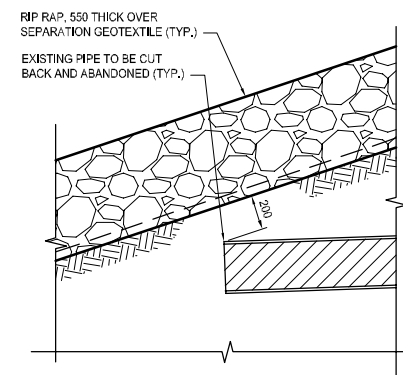


**TRENCH DETAIL**  
NTS 2 04 | 05

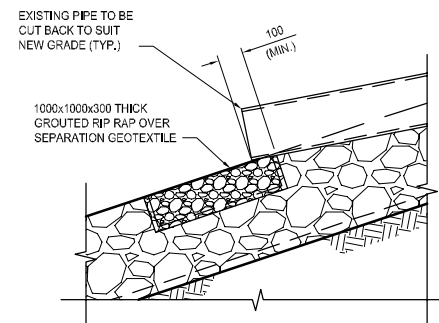


**SECTION**  
1:40 A 05 | 05

NOTE: DETAIL SHOWING CLAY PLUG (TYP. 2 LOCATIONS THUS)



**DETAIL**  
1:20 3 03 | 05



**DETAIL**  
1:20 4 03 | 05

METRIC

WHOLE NUMBERS INDICATE MILLIMETRES  
DECIMALIZED NUMBERS INDICATE METRES



B.M. 654357 ELEV. 231.595	NORTHING: 5527224.350 EASTING: 636672.896	DESIGNED BY TLK/CDW		ENGINEER'S SEAL 		
		DRAWN BY TLK		2014 BRIDGE MAINTENANCE PROGRAM DUGALD DRAIN CULVERT REPLACEMENT AT HAPPYLAND PARK		CITY DRAWING NUMBER C342-14-05
		CHECKED BY SSR				SHEET 05 OF 05
		APPROVED BY MRD				BID OPPORTUNITY No. 528-2014
0 ISSUED FOR TENDER	05/13/14 MRD	HOR. SCALE VERTICAL	RELEASED FOR CONSTRUCTION	CONSULTANT PROJECT NUMBER 14-9218		
NO. REVISIONS	DATE BY	DATE	06/13/14	DATE		

G:\CAD\149218\11-Structural\01-Contract\149218-04-HAPPYLAND-CON.dwg