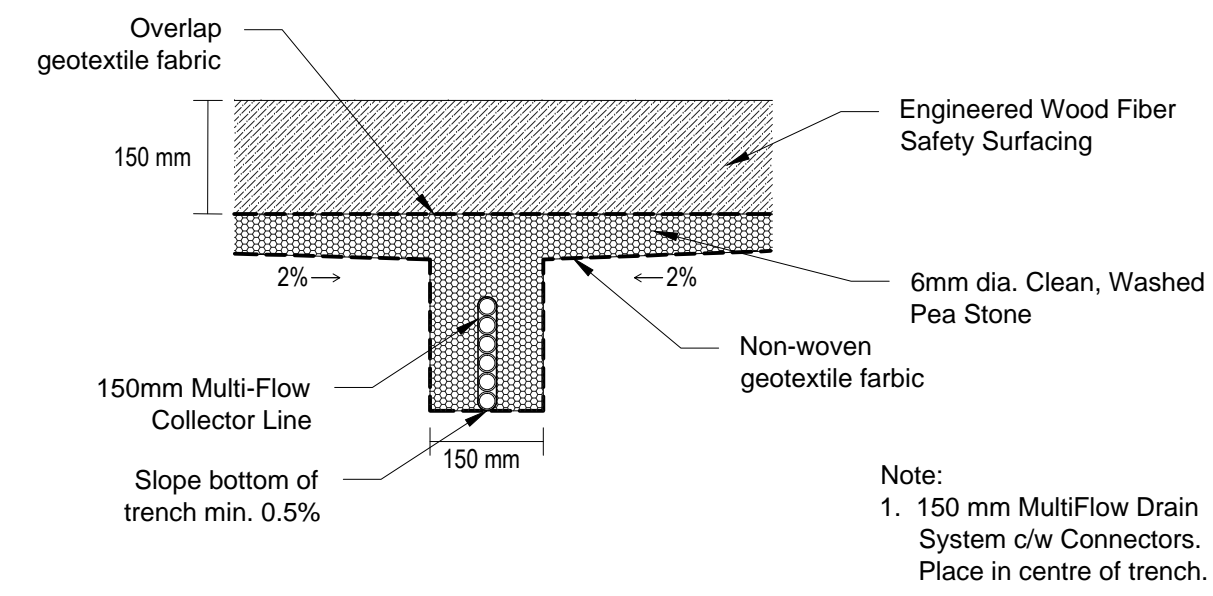
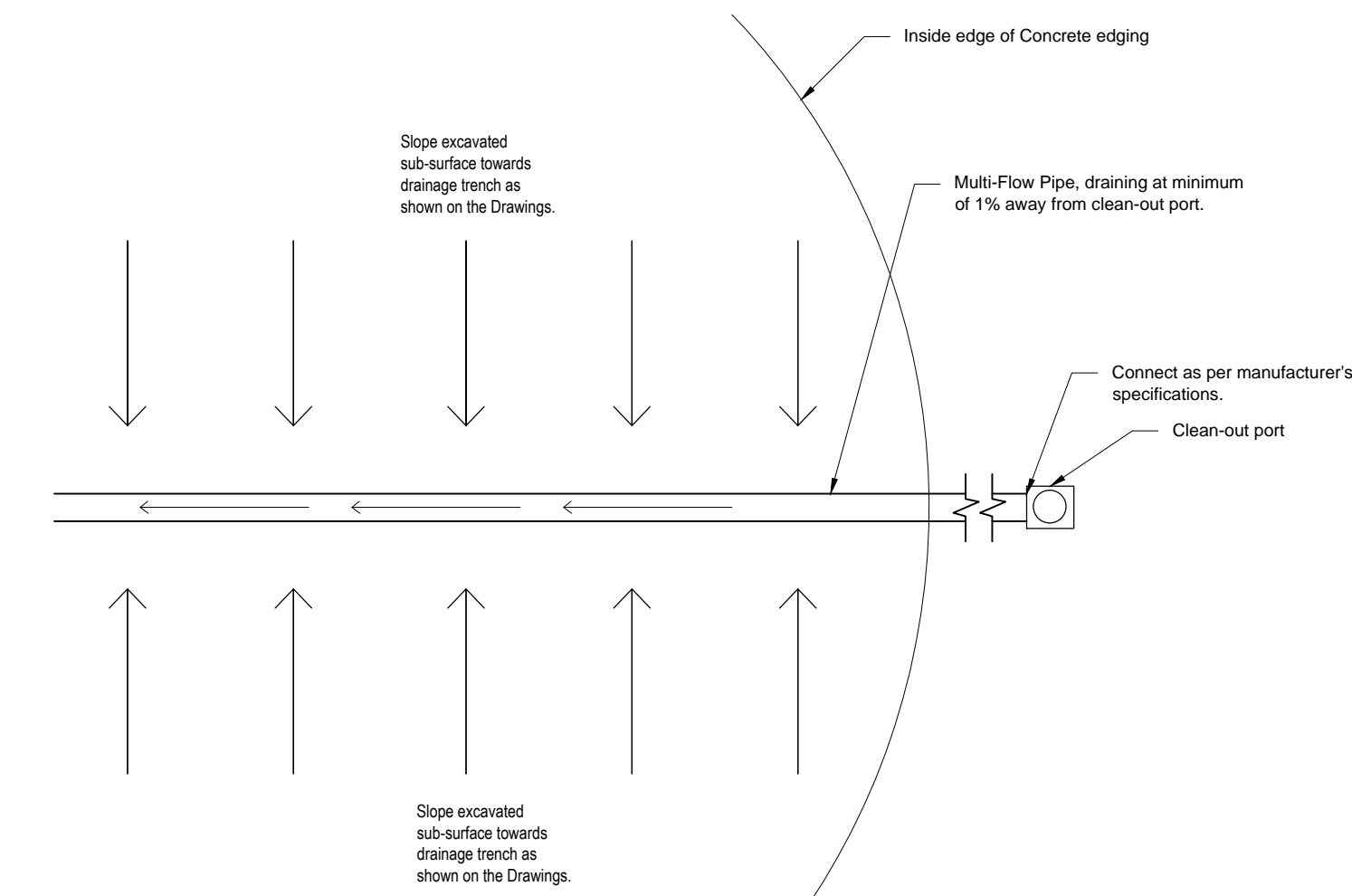


9 BOULDER INSTALLATION DETAIL
L1.9 Scale = 1:10

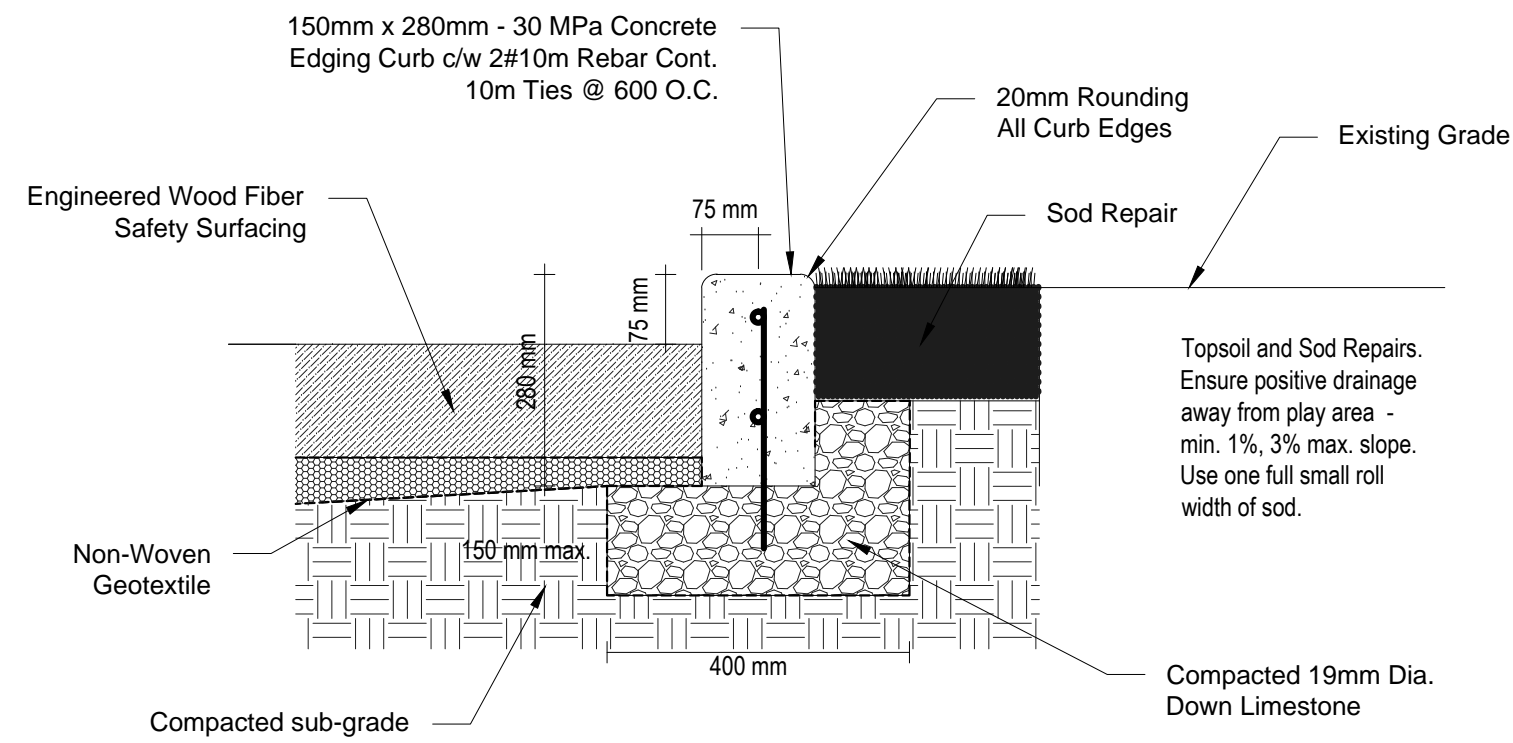


10 TYP. MULTI-FLOW DRAINAGE DETAIL
L1.9 Scale = 1:10

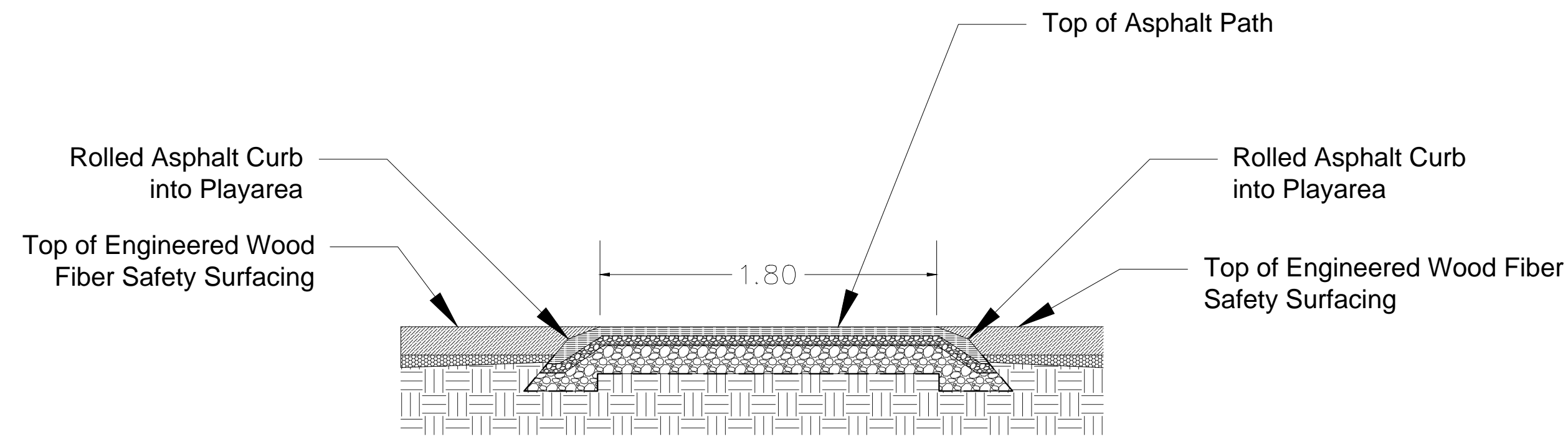


11 TYP. MULTI-FLOW DETAIL PLAN
L1.9 Scale = NTS

- Notes:
1. All concrete edging must be chamfered.
 2. Concrete must have a smooth finish on 3 sides.
 3. Concrete to be placed as per CW 3310.



12 CONCRETE EDGING DETAIL - SOD EDGE
L1.9 Scale = 1:10



13 ACCESSIBLE ENTRY FROM ASPHALT WALKWAY TO SAFETY SURFACING
L1.9 Scale = 1:25

No.	Revisions	Date	By
3	Revisions	2014/01/20	COW
2	Internal	2014/01/13	
1	66%	2013/12/20	COW

Date: March 20, 2014 Scale: 1:250

Designed By: CN/CWM Drawn By: CWM Checked By: CN

Soils



LOMBARD NORTH GROUP
287 Taché Ave.
Winnipeg, Manitoba R2H 2A1
Tel: (204) 943-3888 Fax: (204) 947-5696

THE CITY OF WINNIPEG
Planning, Property and Development Department
Planning and Land Use Division
Unit 15 - 30 Fort Street, Winnipeg, Manitoba R3C 4X5

Project Title

PAT PHILLIPS PARK & SHAUGHNESSY PARK
FITNESS TRAILS

Sheet Title

PAT PHILLIPS PARK - DETAILS

Project No. Drawing No.

L1.9