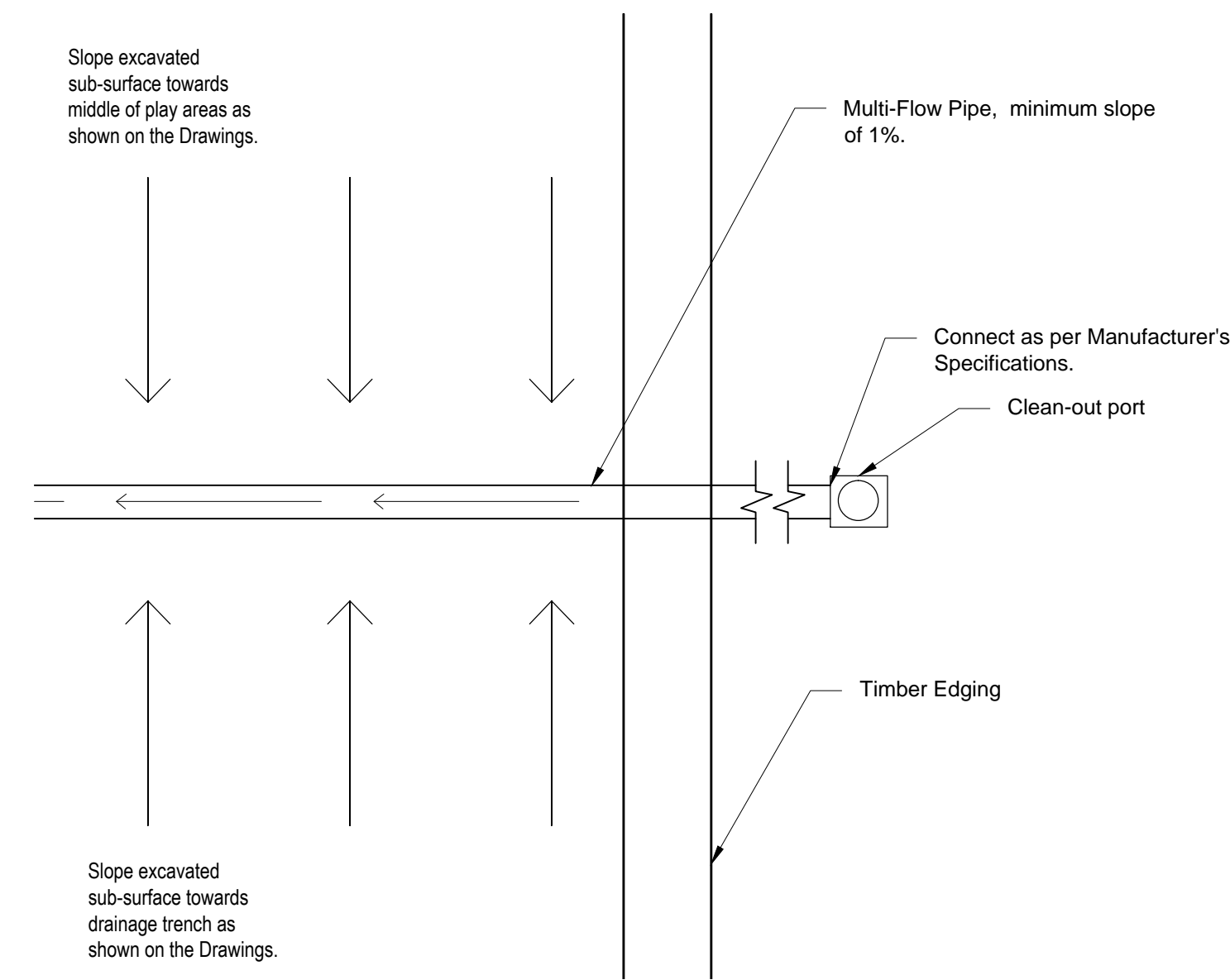
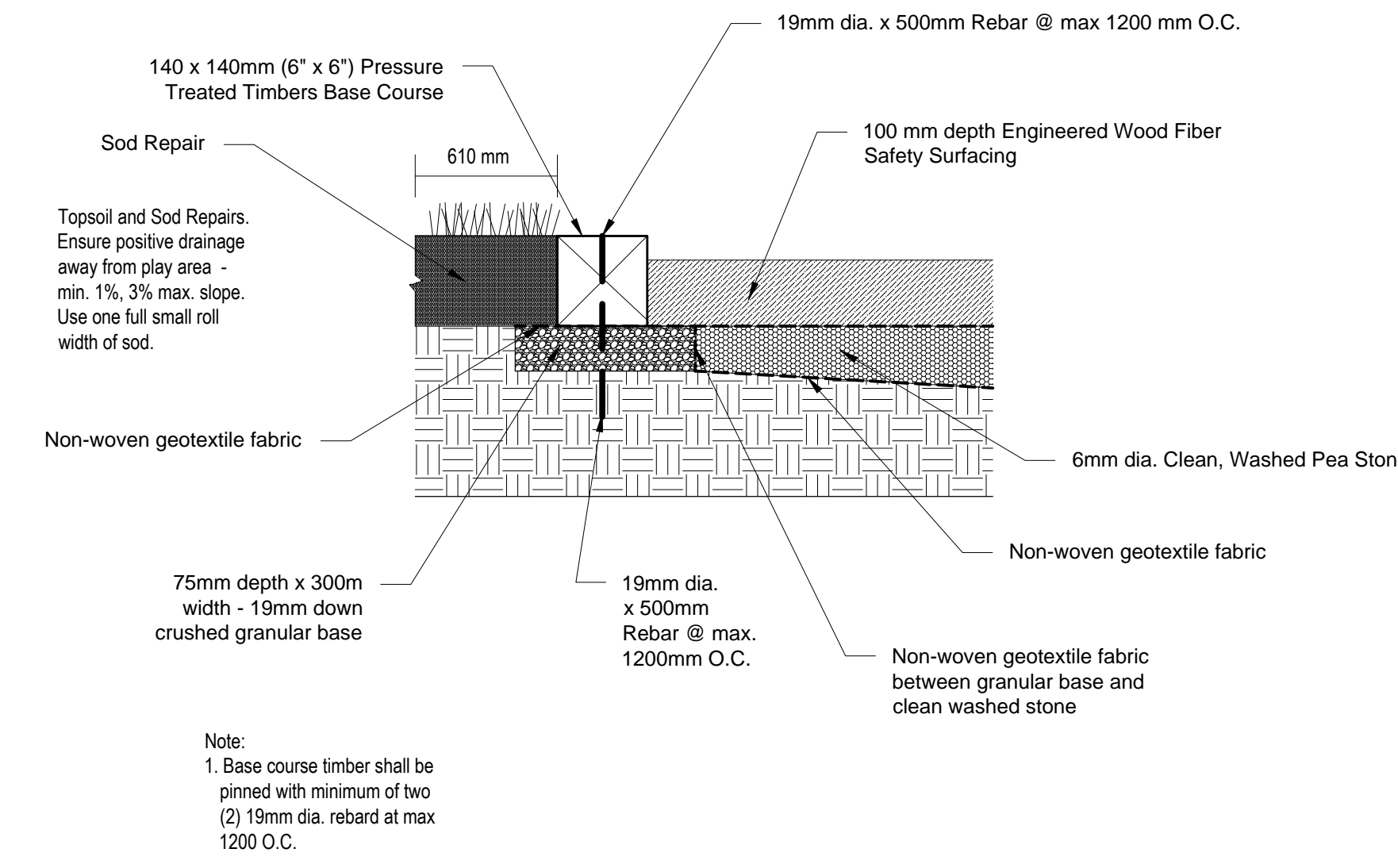


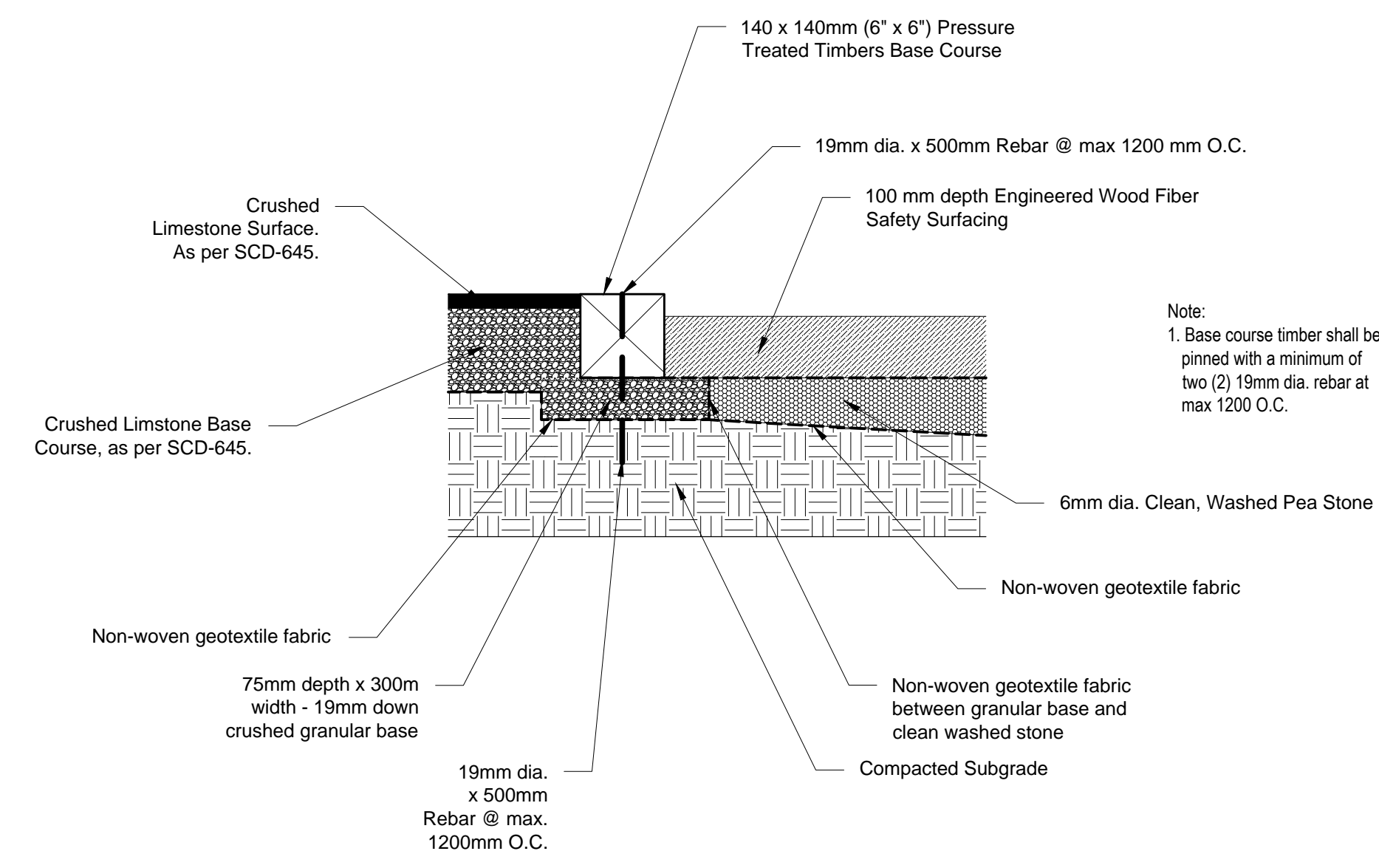
8 TYP. MULTI-FLOW DRAINAGE DETAIL
L2.7 Scale = 1:10



9 TYP. MULTI-FLOW DETAIL PLAN
L2.7 Scale = 1:10



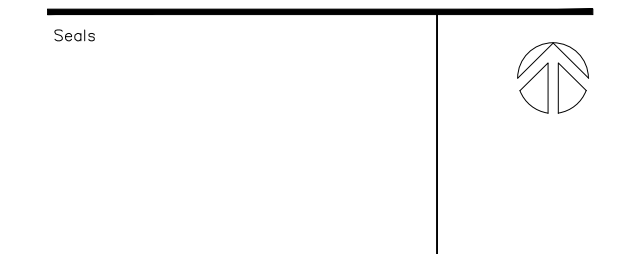
10 TYP. SINGLE TIMBER EDGE DETAIL - SOD
L2.7 Scale = 1:10



11 TYP. SINGLE TIMBER EDGE DETAIL - PATH
L2.7 Scale = 1:10

Revisions	Date	By
3	2014/05/09	COW
2	2014/01/13	COW
1	2013/12/20	COW

Date: March 20, 2014
Scale:
Designed By: CN/CWM
Drawn By: CWM
Checked By: CN



LOMBARD NORTH GROUP
287 Taché Ave.
Winnipeg, Manitoba R2H 2A1
Tel: (204) 943-3888 Fax: (204) 947-5696

THE CITY OF WINNIPEG
Planning, Property and Development Department
Planning and Land Use Division
Unit 15 - 30 Fort Street, Winnipeg, Manitoba R3C 4X5

Project Title
PAT PHILLIPS & SHAUGHNESSY PARK
FITNESS TRAILS

Sheet Title
SHAUGHNESSY PARK - DETAILS

Project No. Drawing No.
L2.7