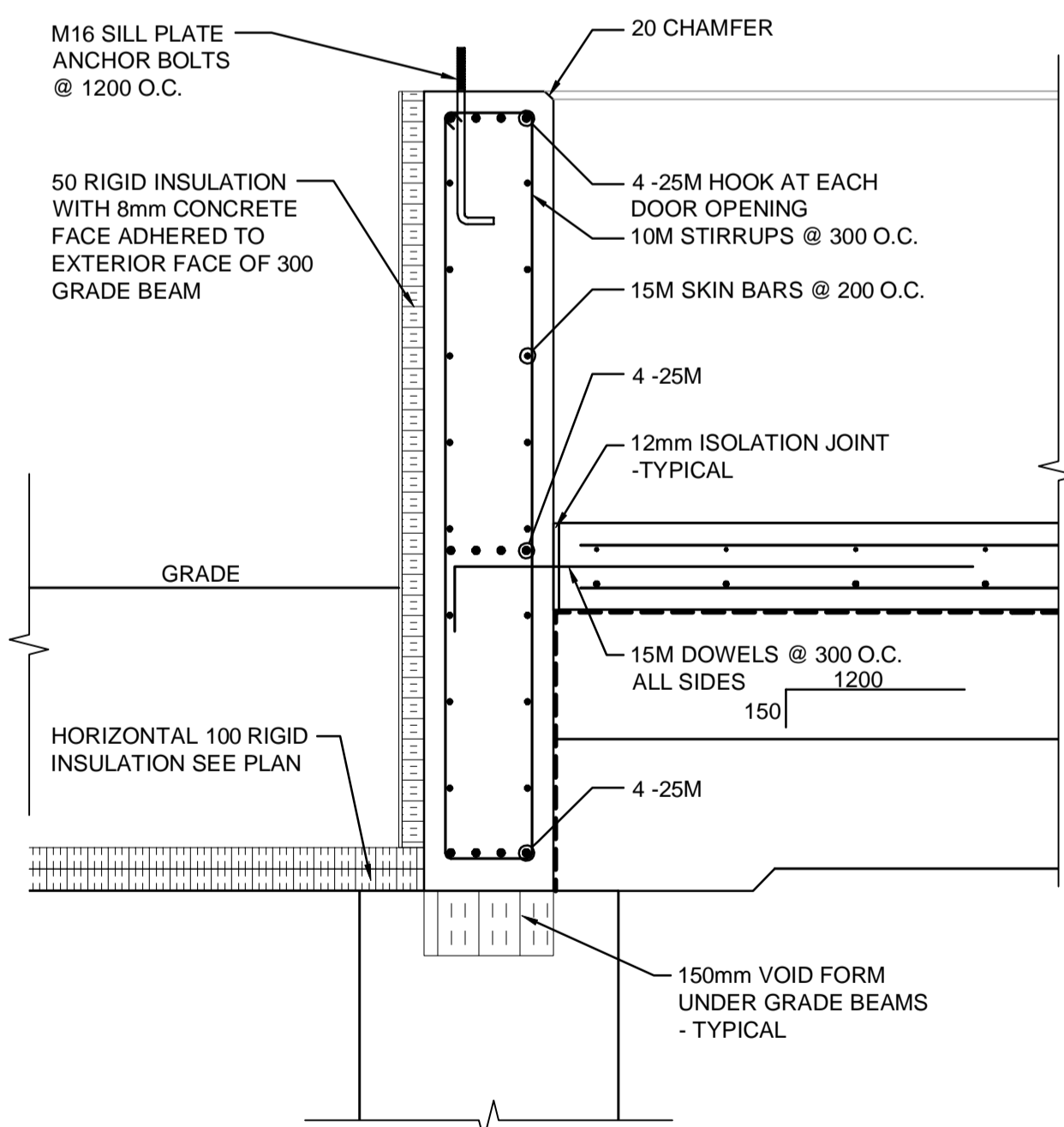
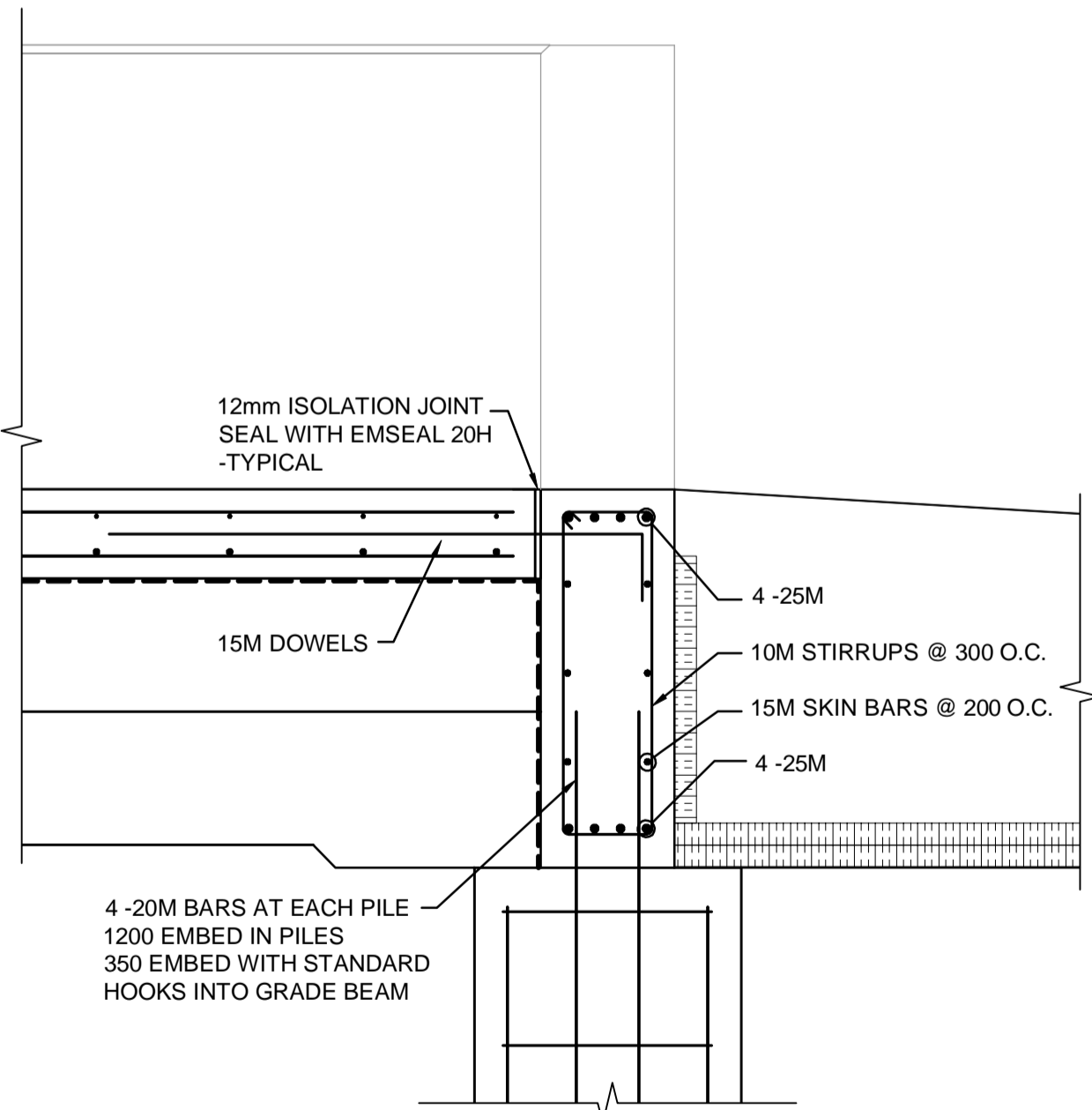


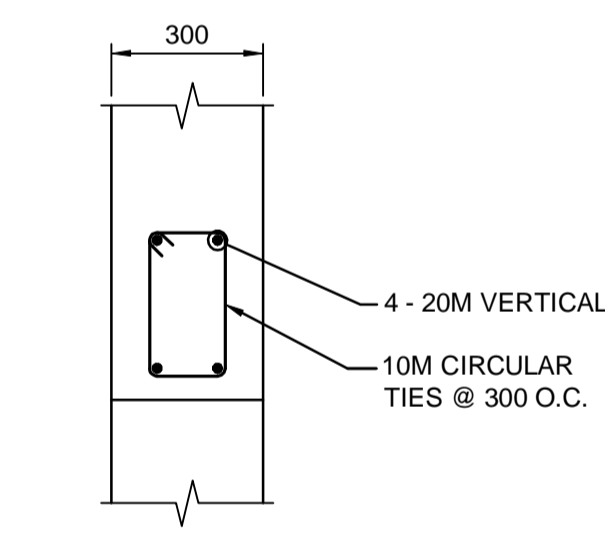
1 SECTION
S11 1:25



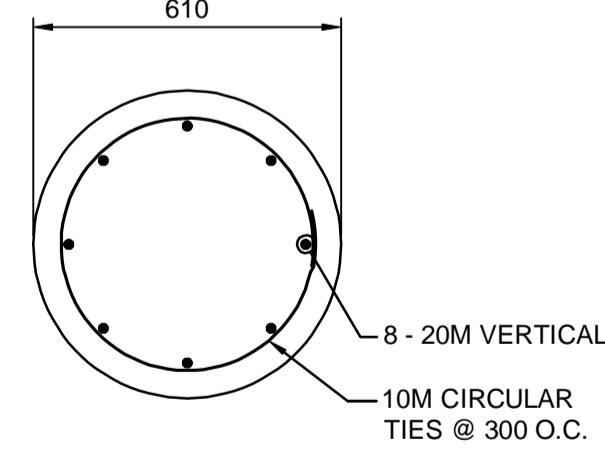
2 SECTION
S11 1:15



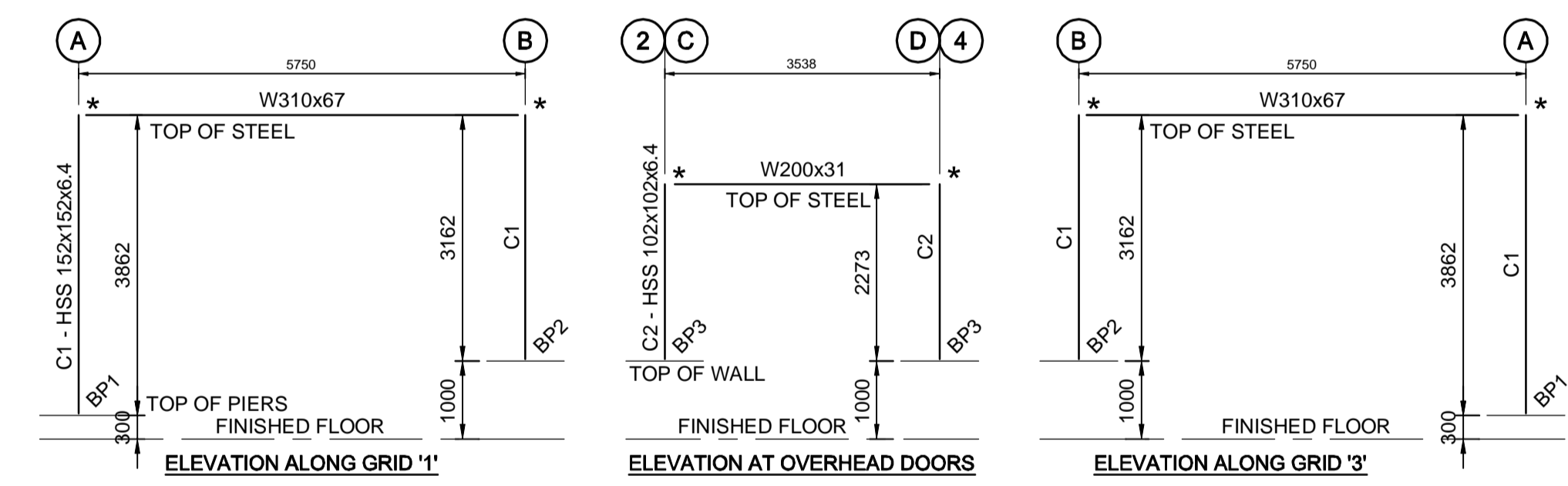
3 SECTION
S11 1:15



CAGE DETAIL
1:15
TYPICAL DETAIL AT COLUMNS
B2, B4, C5, D5



5 SECTION
S13 1:15

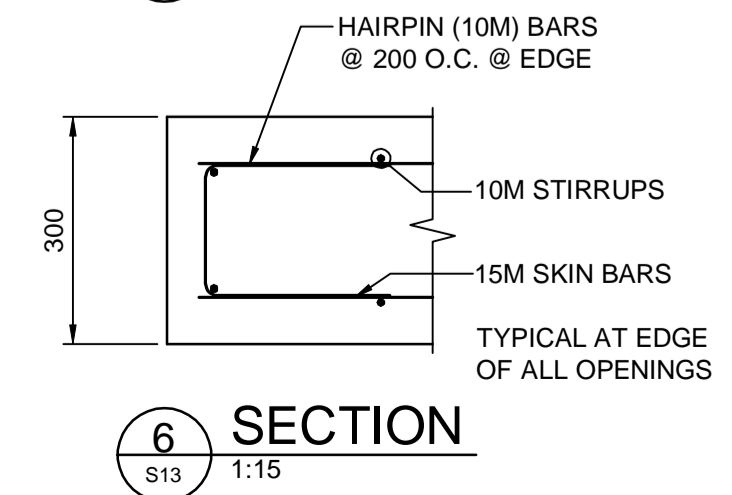


STEEL FRAME ELEVATIONS
1:75

NOTE:
* - ALL RIGID FRAME
MOMENT CONNECTIONS
ARE TO BE CONNECTED
FOR A FACTORED
MOMENT OF 25kNm.



METRIC
WHOLE NUMBERS INDICATE MILLIMETRES
DECIMALIZED NUMBERS INDICATE METRES



6 SECTION
S13 1:15

DESIGNED BY EPG						
DRAWN BY PDR					4R WINNIPEG DEPOT BRADY ROAD RESOURCE MANAGEMENT FACILITY	
CHECKED BY BWD					HHW EWASTE BUILDING FOUNDATION SECTIONS, DETAILS	
APPROVED BY ARR					CITY DRAWING NUMBER 11-0400A-S0011-001 SHEET 3 OF 11 CONSULTANT DRAWING NUMBER S13 (AD-1)	
HOR. SCALE AS NOTED			RELEASED FOR CONSTRUCTION	CONSULTANT PROJECT NUMBER 13-8224		
VERTICAL						
NO. REVISIONS			DATE	BY	DATE	
1 ISSUED FOR ADDENDUM #1			14/07/08	ARR		

G:\CAD\DWG\138224\09-Structural\Brdy\138224-09-HHW STRUCT CON.dwg