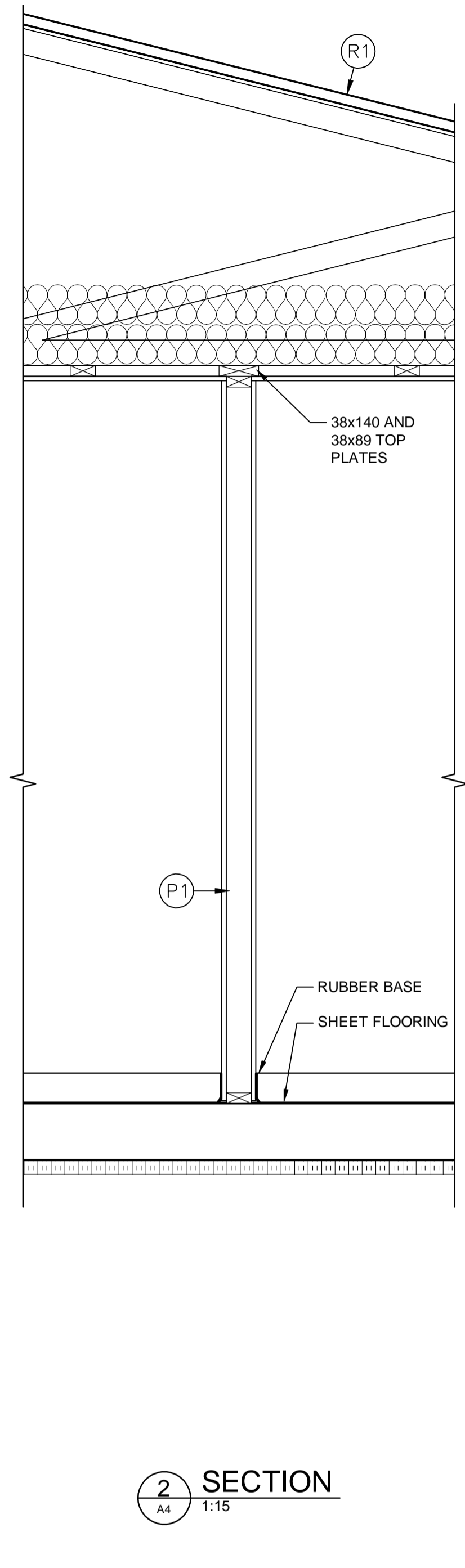
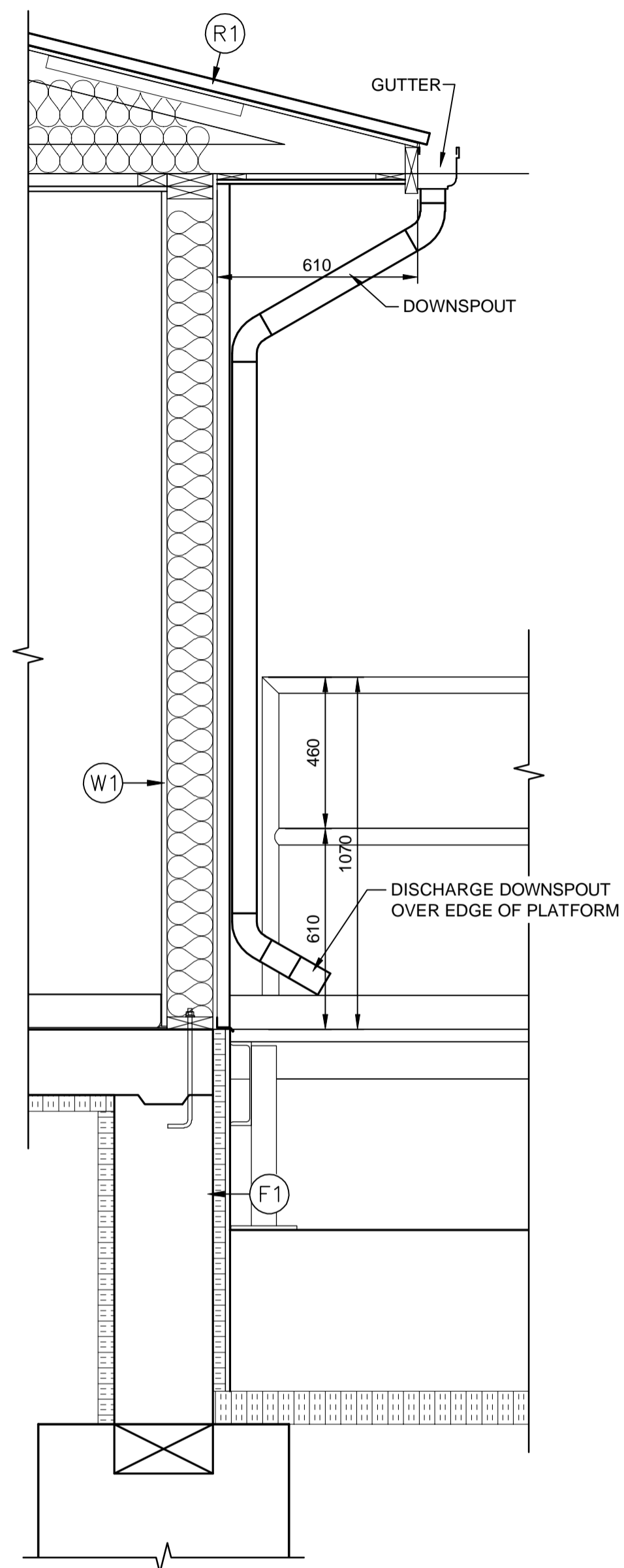


1 SECTION  
A4 1:15



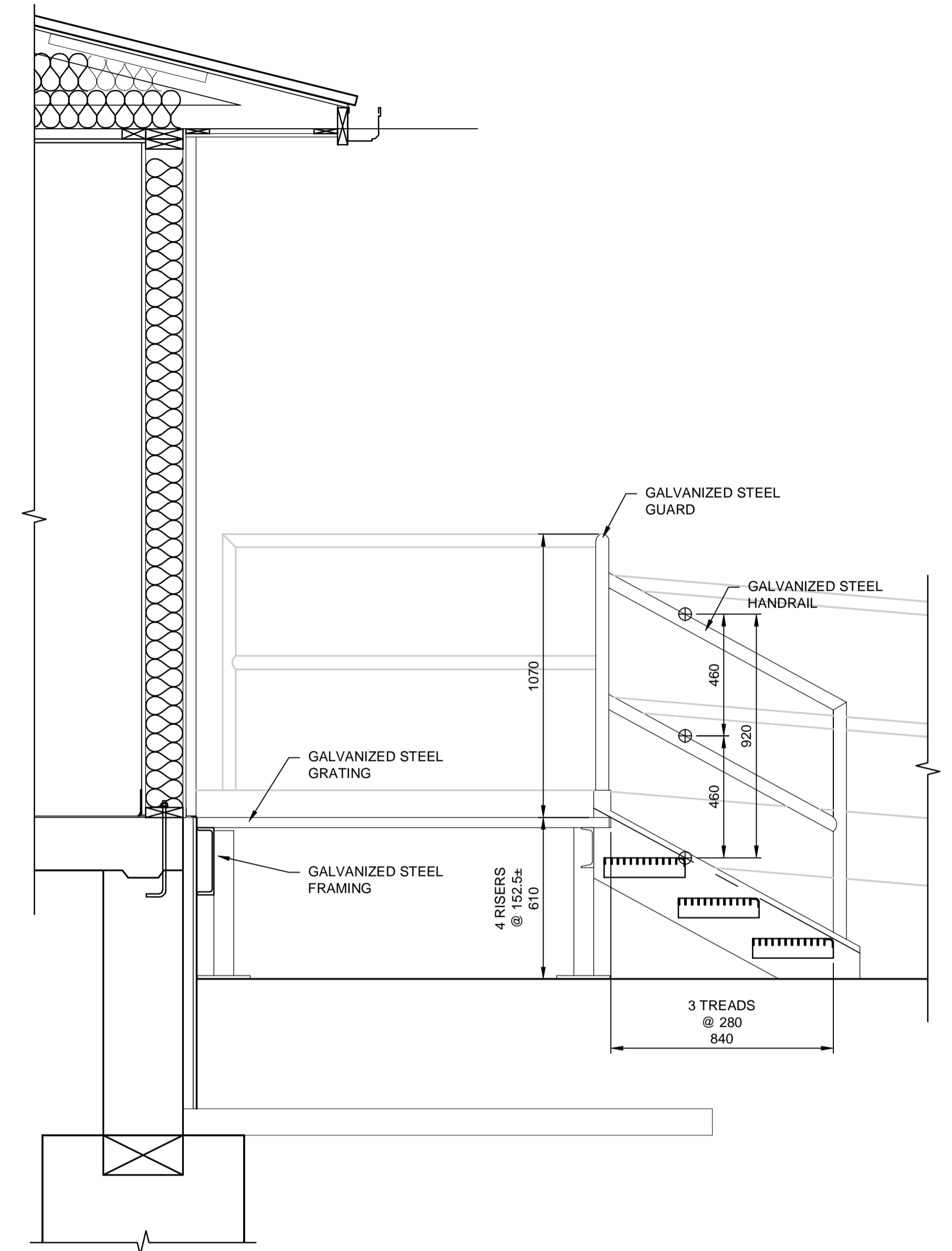
2 SECTION  
A4 1:15



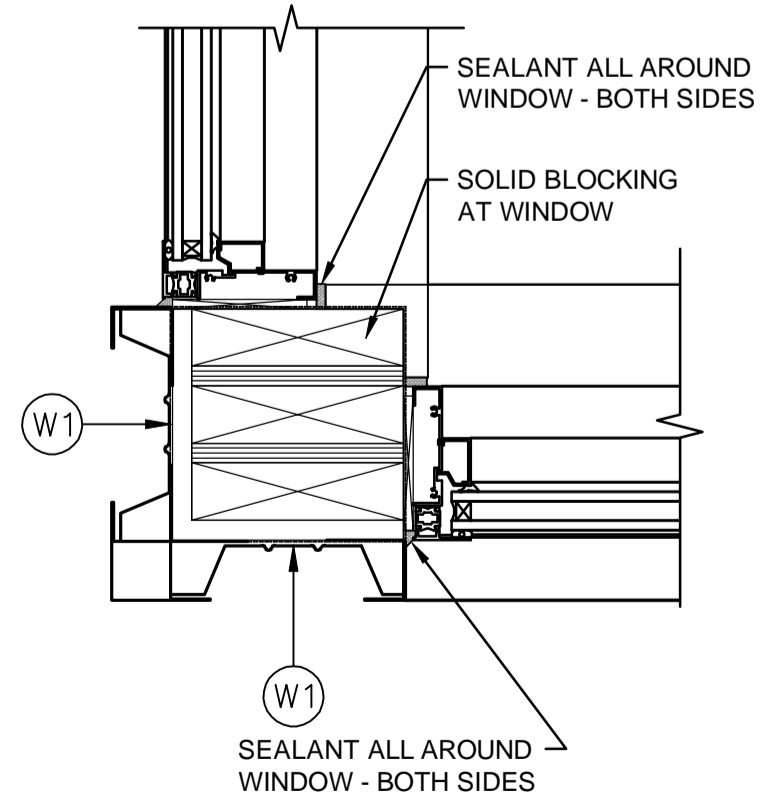
3 SECTION  
A4 1:15



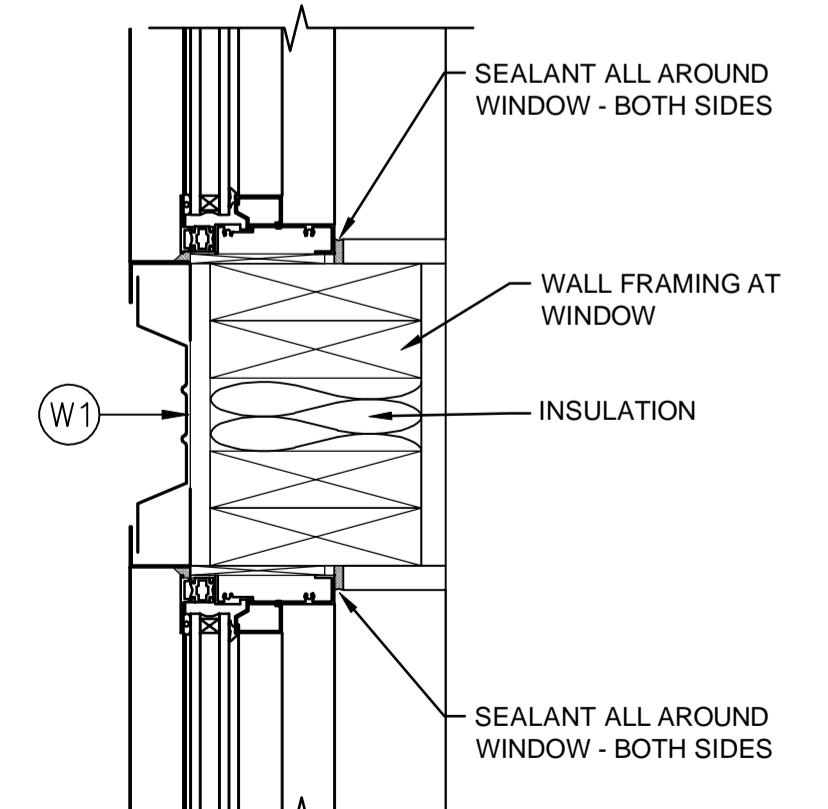
4 SECTION  
A4 1:15



5 SECTION  
A4 1:15



1 DETAIL  
A4 1:5



2 DETAIL  
A4 1:5

**APEGM**  
Certificate of Authorization  
Dillon Consulting Limited (MB)  
No. 1789 Date: 2014/06/19

METRIC

WHOLE NUMBERS INDICATE MILLIMETRES  
DECIMALIZED NUMBERS INDICATE METRES

B.M. ELEV.	DESIGNED BY LDP				<b>THE CITY OF WINNIPEG</b> WATER AND WASTE DEPARTMENT 4R WINNIPEG DEPOT BRADY ROAD RESOURCE MANAGEMENT FACILITY SCALE HOUSE WALL SECTIONS AND PLAN DETAILS	CITY DRAWING NUMBER 1-0400A-A0004-001
	DRAWN BY PDR					SHEET 21 OF 35
	CHECKED BY LDP					CONSULTANT DRAWING NUMBER A4
	APPROVED BY ARR					
	HOR. SCALE AS NOTED	RELEASED FOR CONSTRUCTION	CONSULTANT PROJECT NUMBER 13-8224			
	VERTICAL	DATE				
1 ISSUED FOR TENDER	14/06/19	ARR				
NO. REVISIONS	DATE	BY	DATE	MARCH 2014		

C:\CAD\DWG\138224\01-Architectural\01-Contract\Brady Road\138224\_01\_ARCH\_CON.dwg