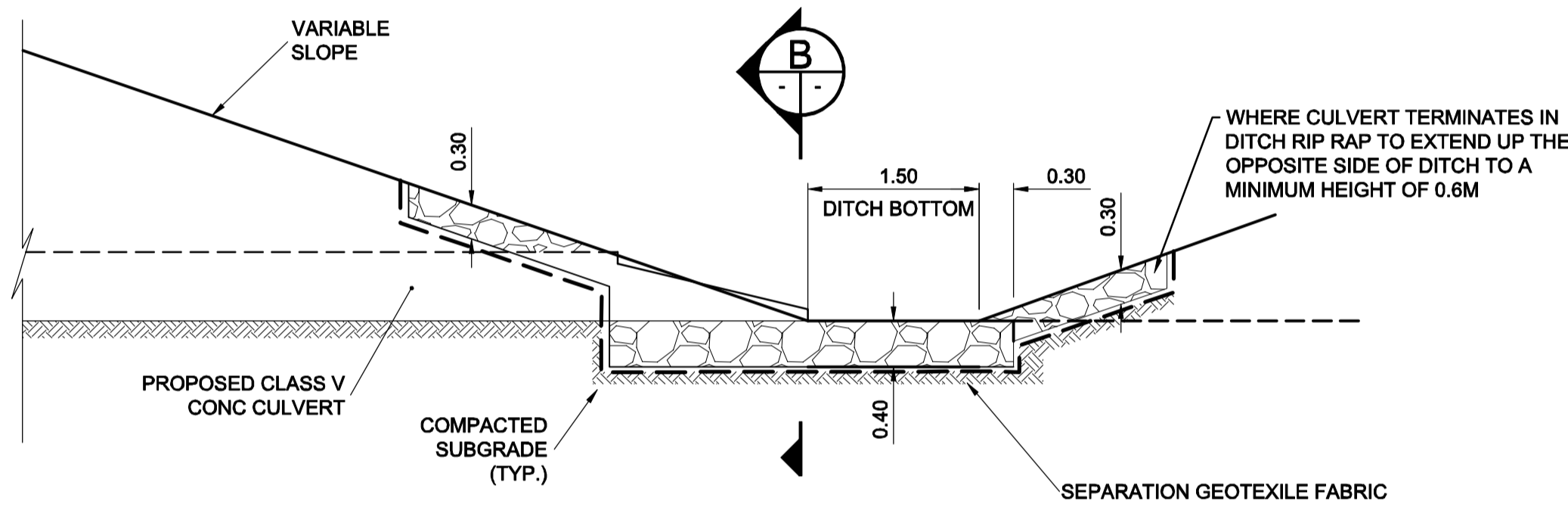
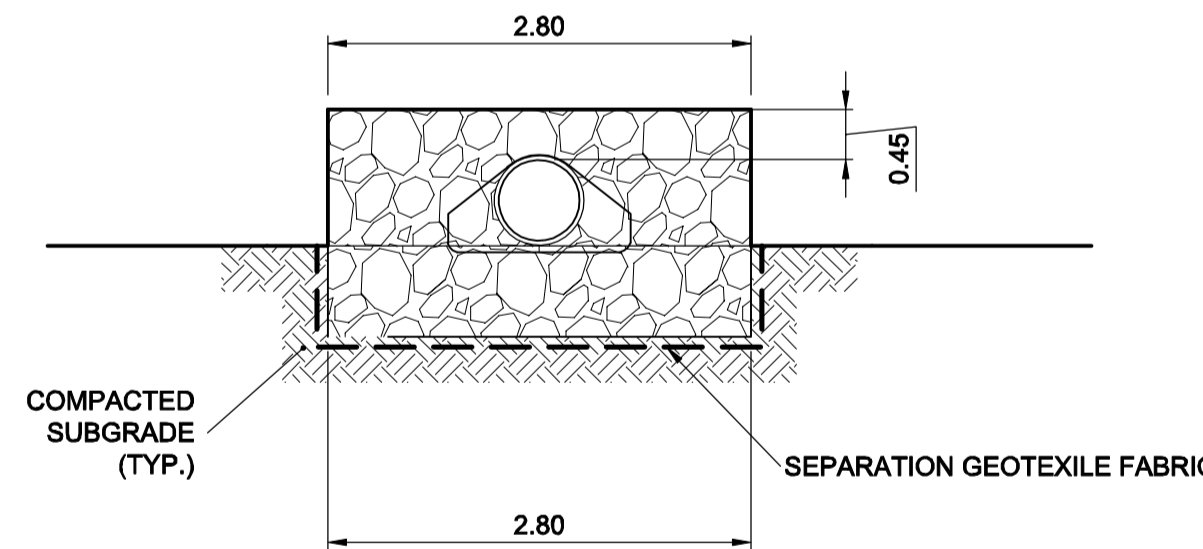


1 GROUTED RIP-RAP END CULVERT  
C2 C5 SCALE 1:50



A SECTION  
SCALE 1:50



B SECTION  
SCALE 1:50

**APEGN**  
 Certificate of Authorization  
 Dillon Consulting Limited (MB)  
 No. 1789 Date: 2014/06/19

METRIC

WHOLE NUMBERS INDICATE MILLIMETRES  
 DECIMALIZED NUMBERS INDICATE METRES

150 WM	WATERMAIN	150 WM	MTS	M.T.S.	MTS	150 mm W.M.	WATERMAIN	150 mm W.M.
	HYDRANT			CONCRETE			HYDRANT	
	VALVE			ASPHALT			VALVE	
300 LDS	LAND DRAINAGE SEWER	300 LDS		PLANNING		300 mm L.D.S.	LAND DRAINAGE SEWER	300 mm L.D.S.
250 WWS	WASTE WATER SEWER	250 WWS		PAVING STONES		250 mm W.W.S.	WASTE WATER SEWER	250 mm W.W.S.
	MANHOLE			PROPERTY LINE			Q. PROFILE	
	CATCH BASIN			SURVEY BAR			NORTH/WEST GUTTER	
	TEST HOLES			CURB RAMP			SOUTH/EAST GUTTER	
	JUNCTIONS			DITCH			NORTH/WEST T/LANE	
	CULVERT			SWALE			SOUTH/EAST T/LANE	
100 GAS	GAS	100 GAS						
EXISTING	LEGEND-PLAN	PROPOSED	EXISTING	LEGEND-PLAN	PROPOSED	EXISTING	LEGEND-PROFILE	PROPOSED

UNDERGROUND STRUCTURES	DATE
SUPV. U/G STRUCTURES COMMITTEE	

NOTE:	
LOCATION OF UNDERGROUND STRUCTURES AS SHOWN ARE BASED ON THE BEST INFORMATION AVAILABLE. BUT NO GUARANTEE IS GIVEN THAT ALL EXISTING UTILITIES ARE SHOWN OR THAT THE GIVEN LOCATIONS ARE EXACT. CONFIRMATION OF EXISTENCE AND EXACT LOCATION OF ALL SERVICES MUST BE OBTAINED FROM THE INDIVIDUAL UTILITIES BEFORE PROCEEDING WITH CONSTRUCTION.	
B.M. ELEV.	
1	ISSUED FOR TENDER
NO.	REVISIONS
	DATE
1406.19	ARR
	DATE
	BY
	DATE
	MARCH 2014

DESIGNED BY	MRD
DRAWN BY	PMW
CHECKED BY	DBW
APPROVED BY	ARR
HOR. SCALE	AS NOTED
VERTICAL	
RELEASED FOR CONSTRUCTION	
DATE	

**DILLON CONSULTING**

ENGINEER'S SEAL  
 PROVINCE OF MANITOBA  
 ORIGINAL STAMPED BY  
 M.R. DOUCET  
 2014/06/19  
 REGISTERED PROFESSIONAL ENGINEER  
 MEMBER 22306  
 CONSULTANT PROJECT NUMBER  
 13-8224

**THE CITY OF WINNIPEG**  
 WATER AND WASTE DEPARTMENT  
 4R WINNIPEG DEPOT  
 BRADY ROAD RESOURCE  
 MANAGEMENT FACILITY  
 ROADWORKS DETAILS

CITY DRAWING NUMBER	1-0400A-C0005-001
SHEET	6 OF 35
CONSULTANT DRAWING NUMBER	C5