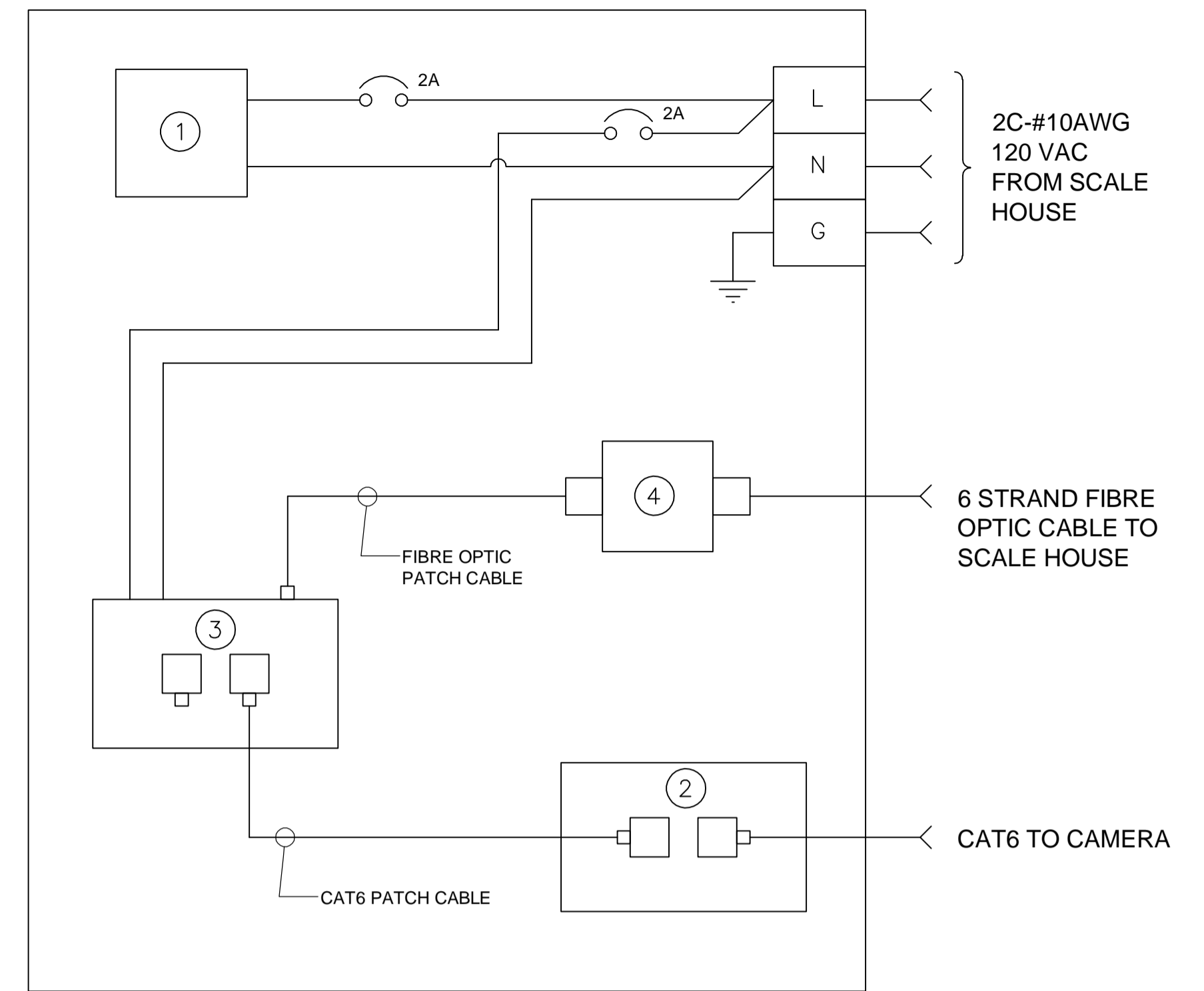
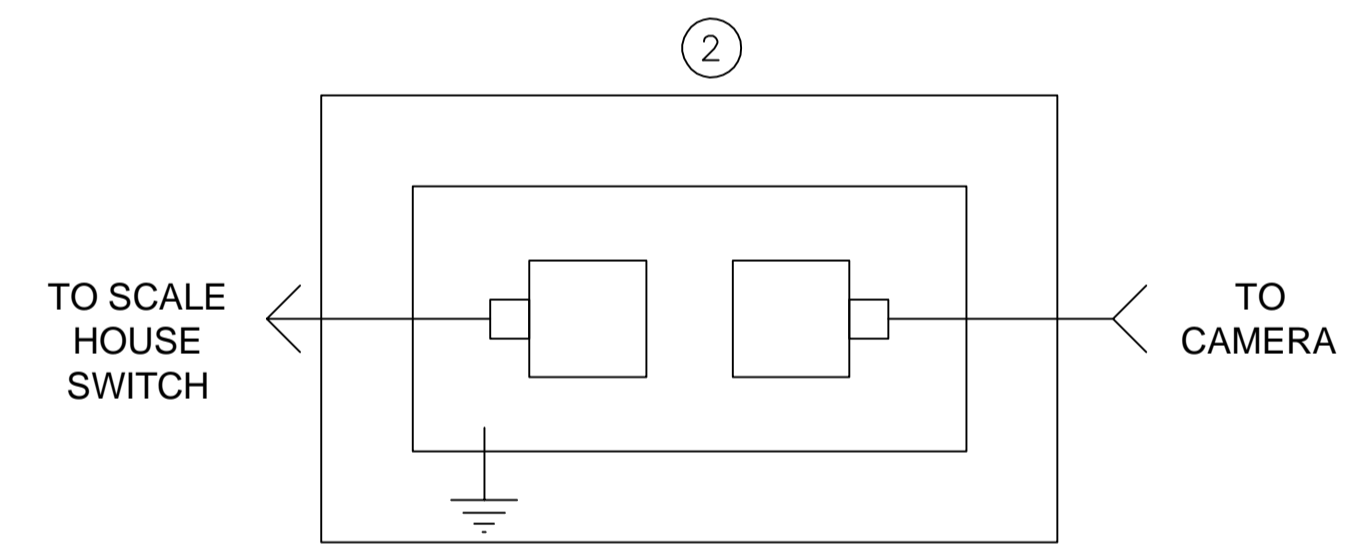


SCALE HOUSE - ONE LINE DIAGRAM FOR VIDEO CAMERAS
SCALE: N.T.S.



JB-2 LAYOUT (TYPICAL FOR JB-8/9, JB-10/12, JB-13)
N.T.S.



JB-3 (TYPICAL FOR JB-4, JB-6, JB-1 & JB-11)
SCALE: N.T.S.

BILL OF MATERIAL			
ITEM	DESCRIPTION	SPECIFICATION	QTY
1	TUBULAR ENCLOSURE HEATER 120V, 100W	TEMPCO: EHT00030	1
2	CAT6 DATA LINE SURGE PROTECTOR	L-COM: AL-CAT6JW	1
3	MEDIA CONVERTER	OMNITRON PoE + GPoE/S 9420-0-22W	1
4	FIBER OPTIC TERMINATION BOX WALL MOUNT	FIBERTRONICS INC.: FOTB-6-12	1



METRIC

WHOLE NUMBERS INDICATE MILLIMETRES
DECIMALIZED NUMBERS INDICATE METRES

G:\CAD\DWG\138224\04-Electrical\01-Contract\138224-04-ELEC-COON.dwg

B.M. ELEV. DESIGNED BY: JAD DRAWN BY: MS CHECKED BY: BM APPROVED BY: ARR HOR. SCALE: AS NOTED VERTICAL:	RELEASED FOR CONSTRUCTION DATE:	CONSULTANT PROJECT NUMBER 13-8224	4R WINNIPEG DEPOT BRADY ROAD RESOURCE MANAGEMENT FACILITY CAMERA SCALE HOUSE	CITY DRAWING NUMBER 1-0400A-E0009-001
				SHEET 34 OF 35 CONSULTANT DRAWING NUMBER E9
1 ISSUED FOR TENDER NO. REVISIONS	14/06/19 DATE BY	MARCH 2014 DATE	DATE	DATE